

Handwritten: 4522-826-419
McRay Andrew M

FAX HEADER SHEET

FROM: OPTI QUIP INC.
P.O. BOX 469
548 Route 32
HIGHLAND MILLS, NEW YORK 10930
TELEPHONE (914) 928-2254 FAX (914) 928-6206

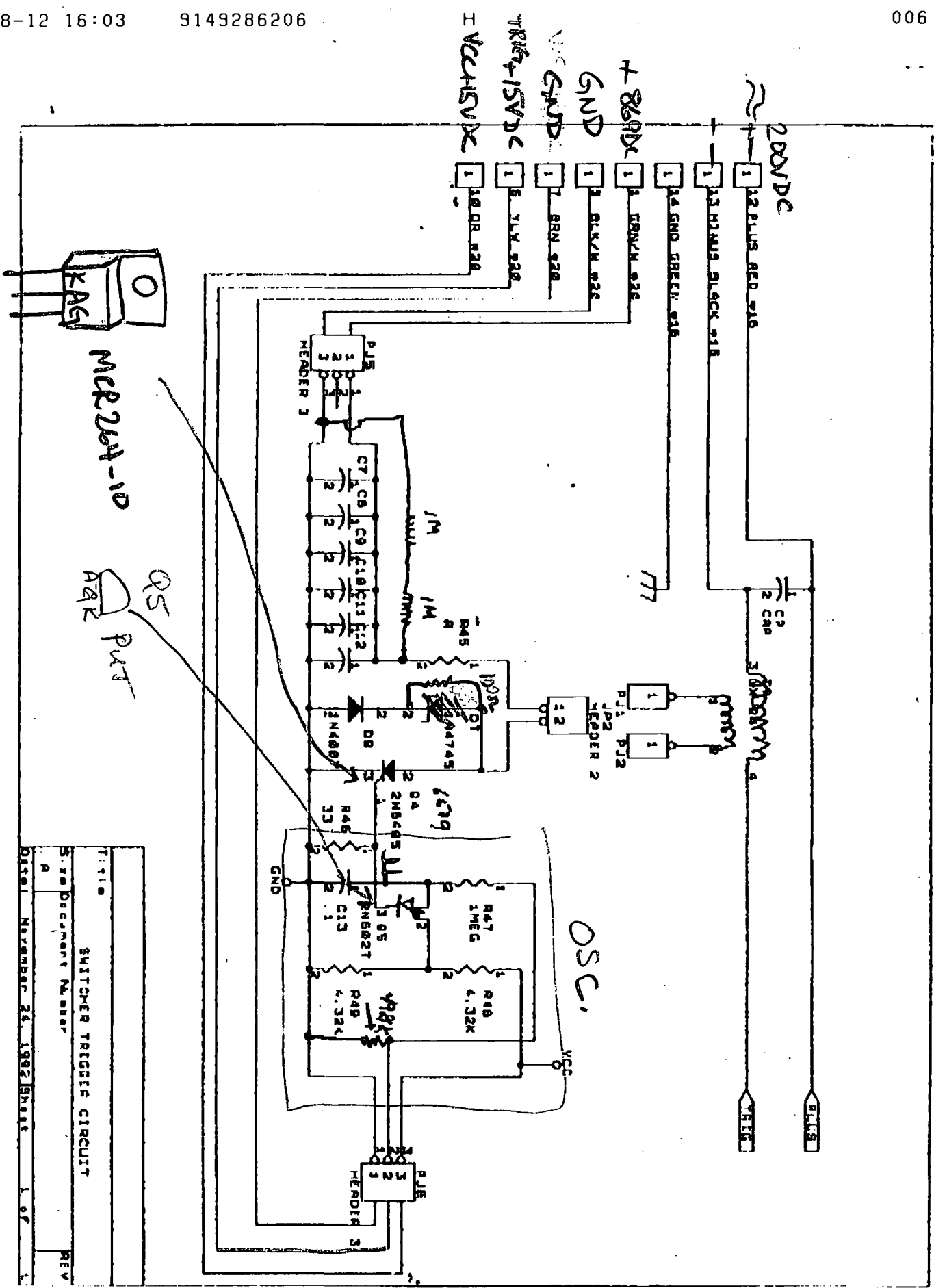
TO: *Tom Cacciatore* FAX# *619-534-7309*

DATE: *8/12/97* RE: *Schenectady*

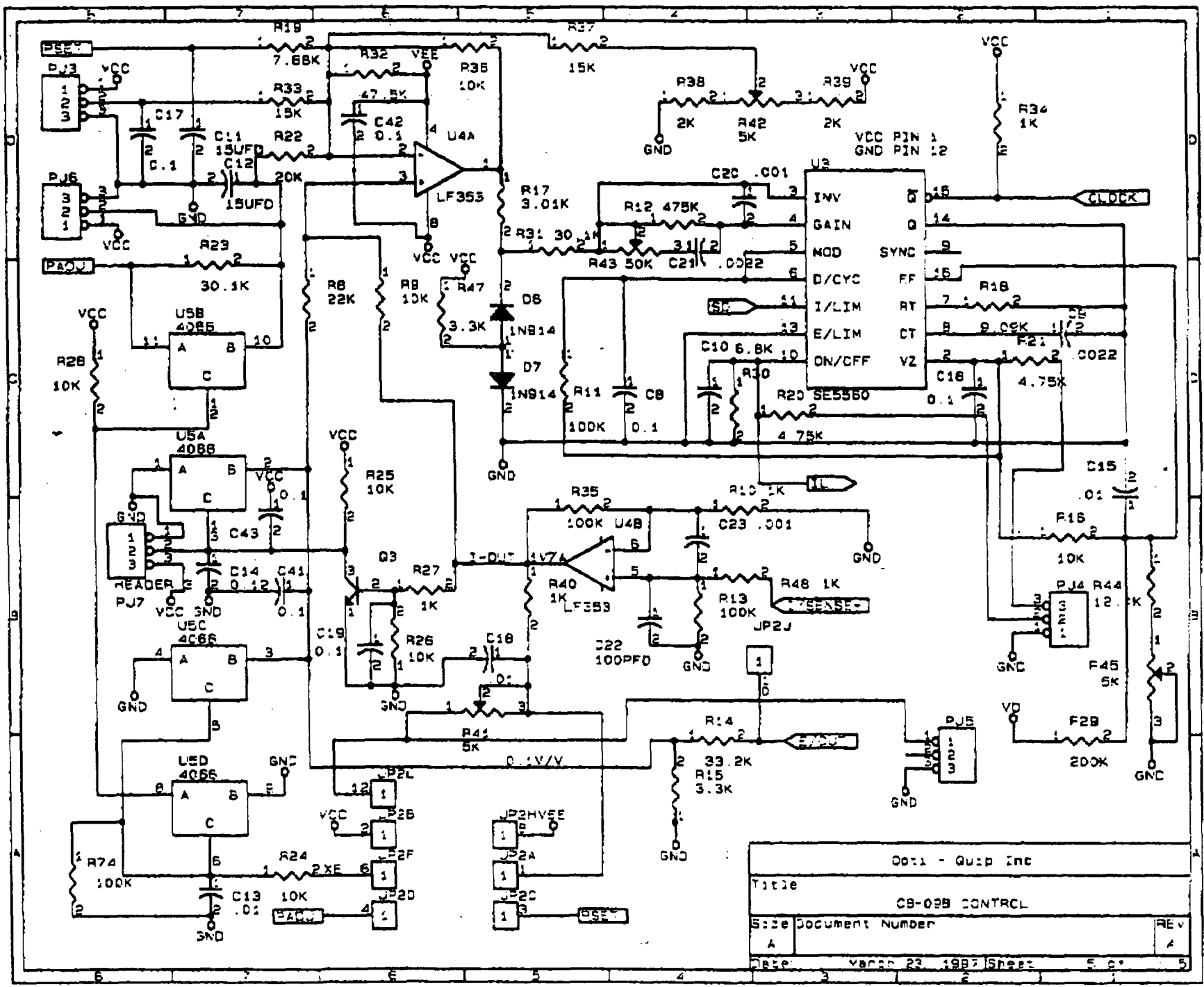
TRANSMITTED HEREWITH ARE 8 PAGES, INCLUDING THIS HEADER SHEET. IF THERE ARE ANY PROBLEMS WITH THIS TRANSMISSION, PLEASE CONTACT _____

MESSAGE

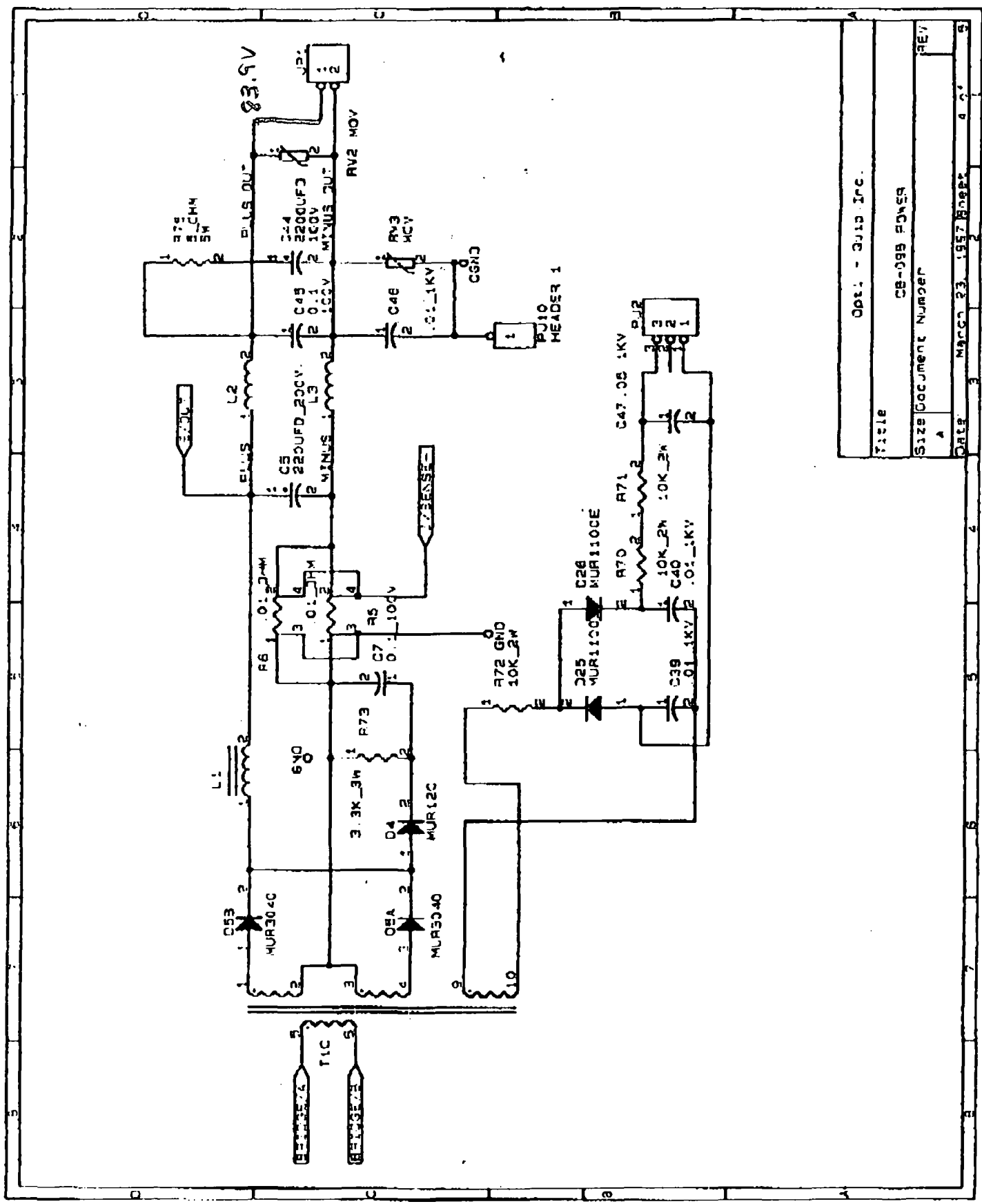
ALBANY TURNPIKE • HIGHLAND MILLS
NEW YORK 10930 • (914) 928-2254 • (FAX) 928-6206



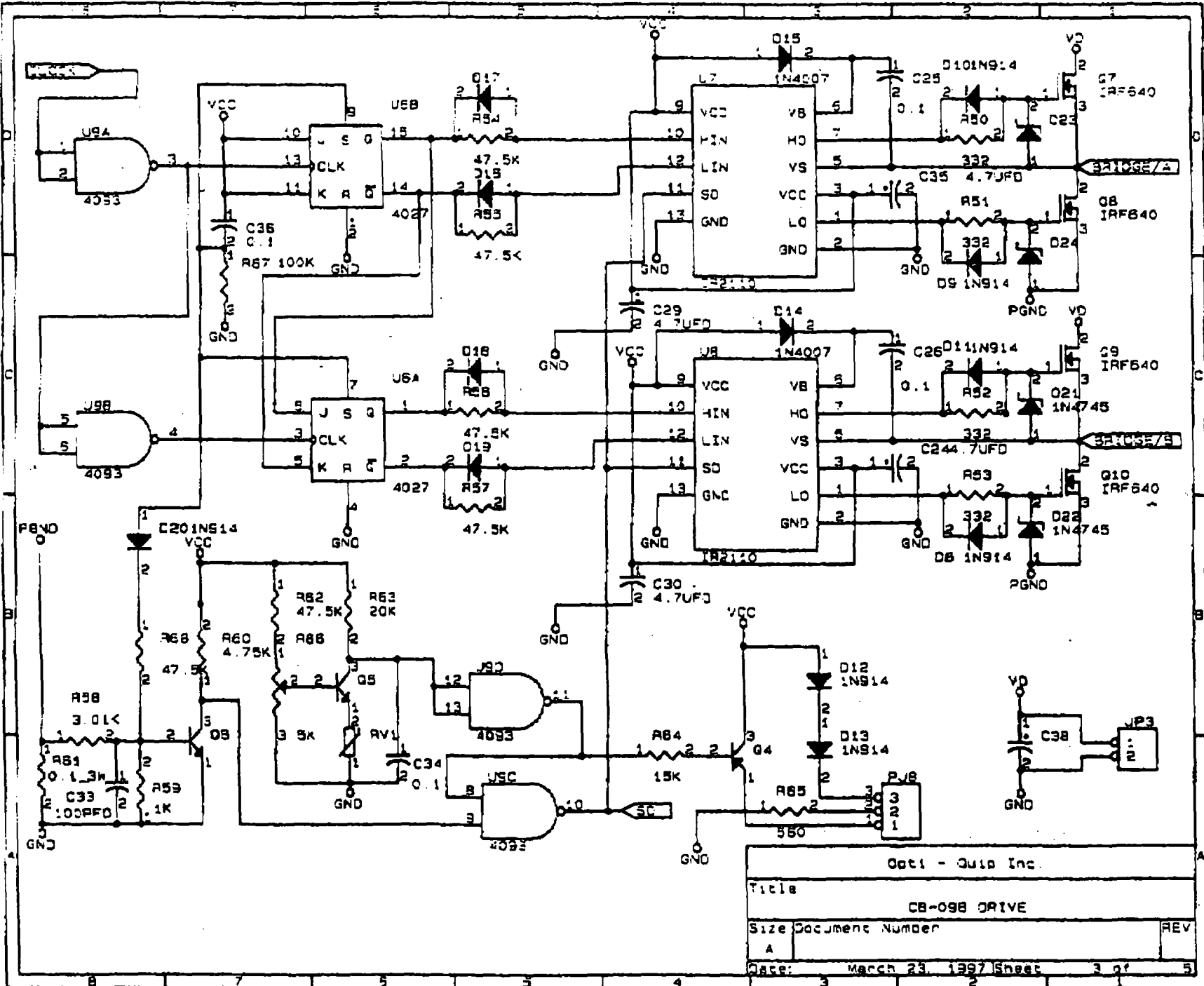
Title		SWITCHER TRIGGER CIRCUIT	
S. no		Document Number	
Date		November 24, 1992	
Sheet		1 of 1	
REV			



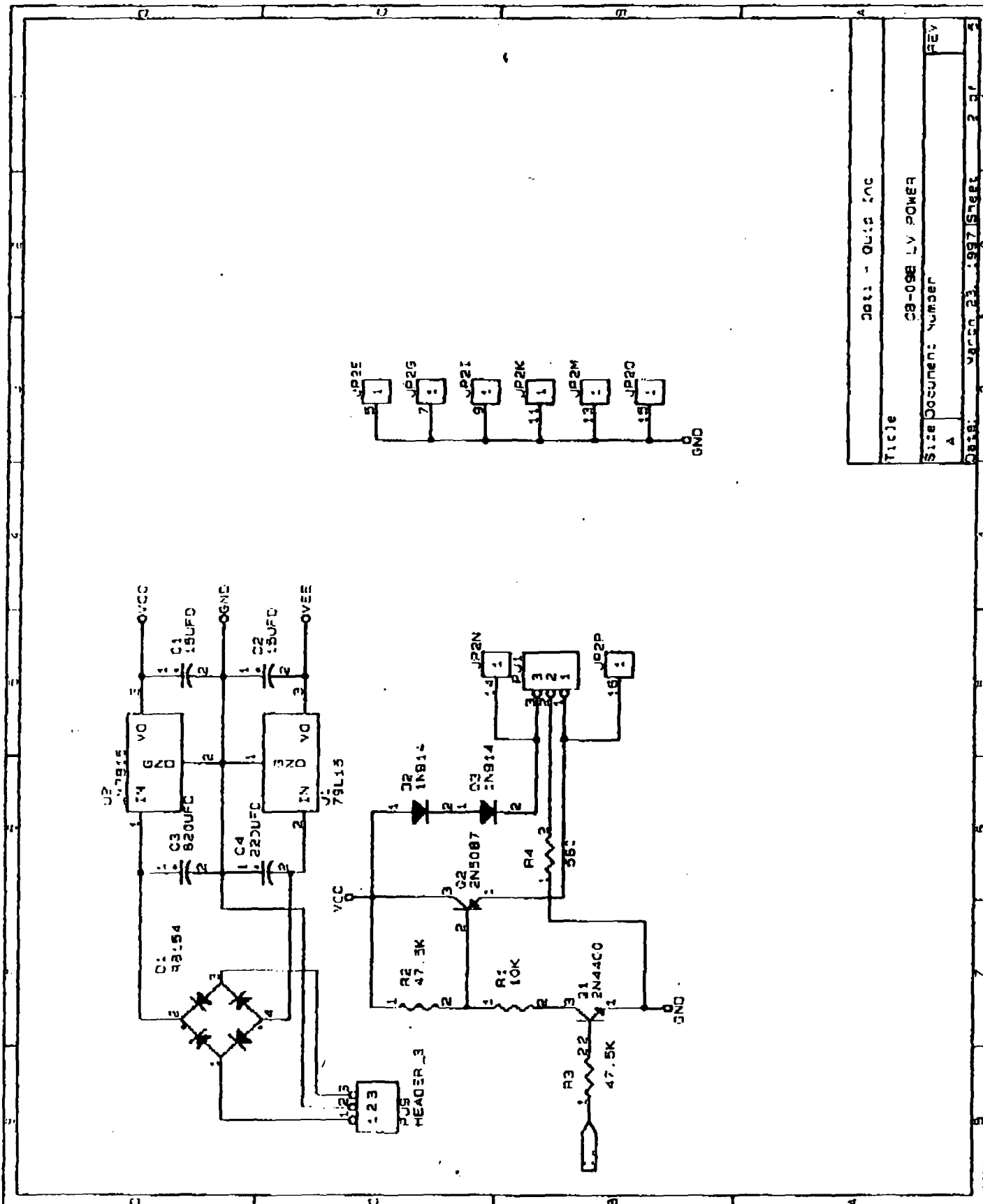
0011 - Guip Inc		
Title		
C9-09B CONTROL		
Size	Document Number	REV
A		A
DATE	March 23, 1997	Sheet 5 of 5



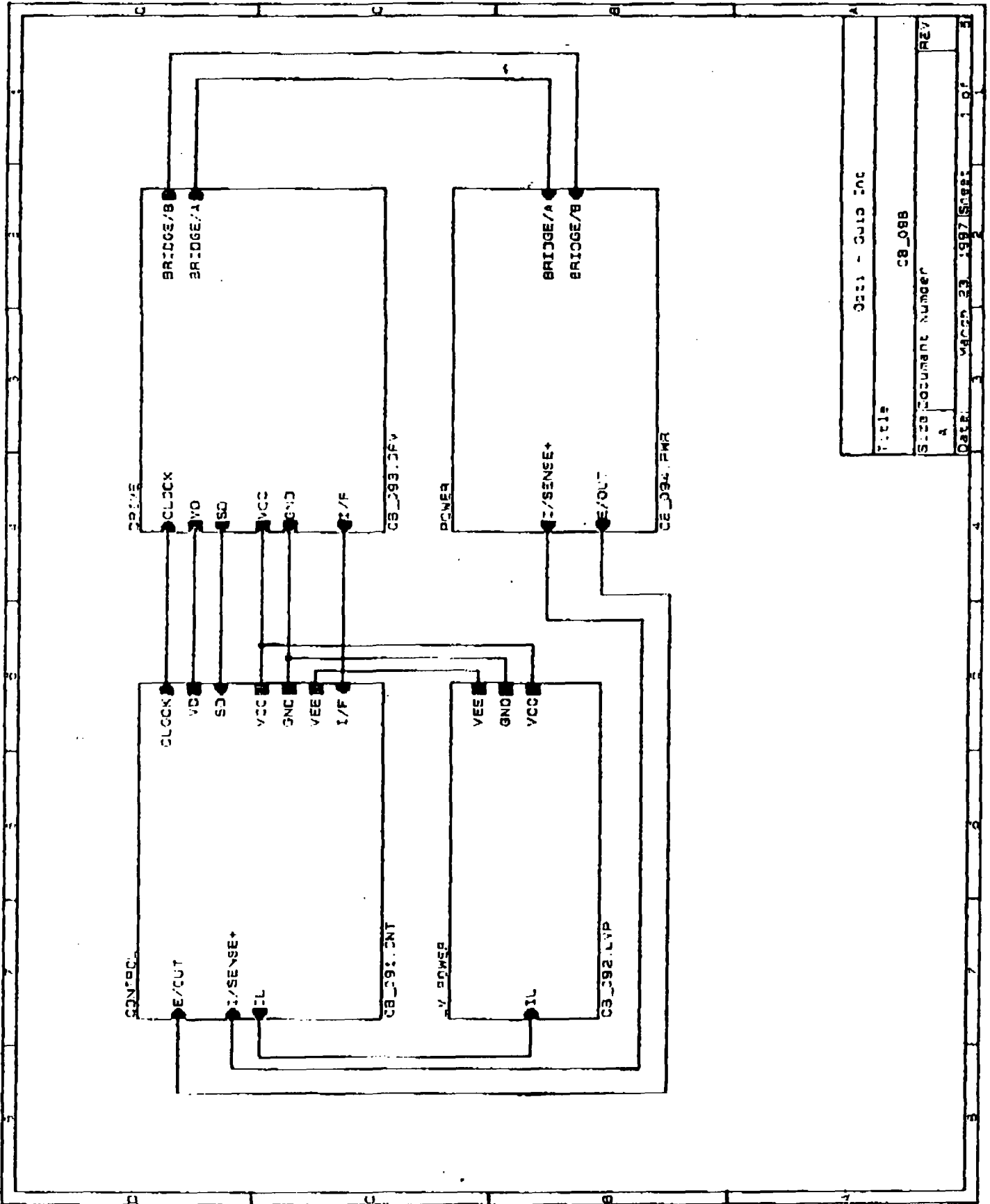
File	Opt. - Guld Inc.
Size Document Number	CB-098 POWER
Date	March 23, 1957 Roger
REV	4



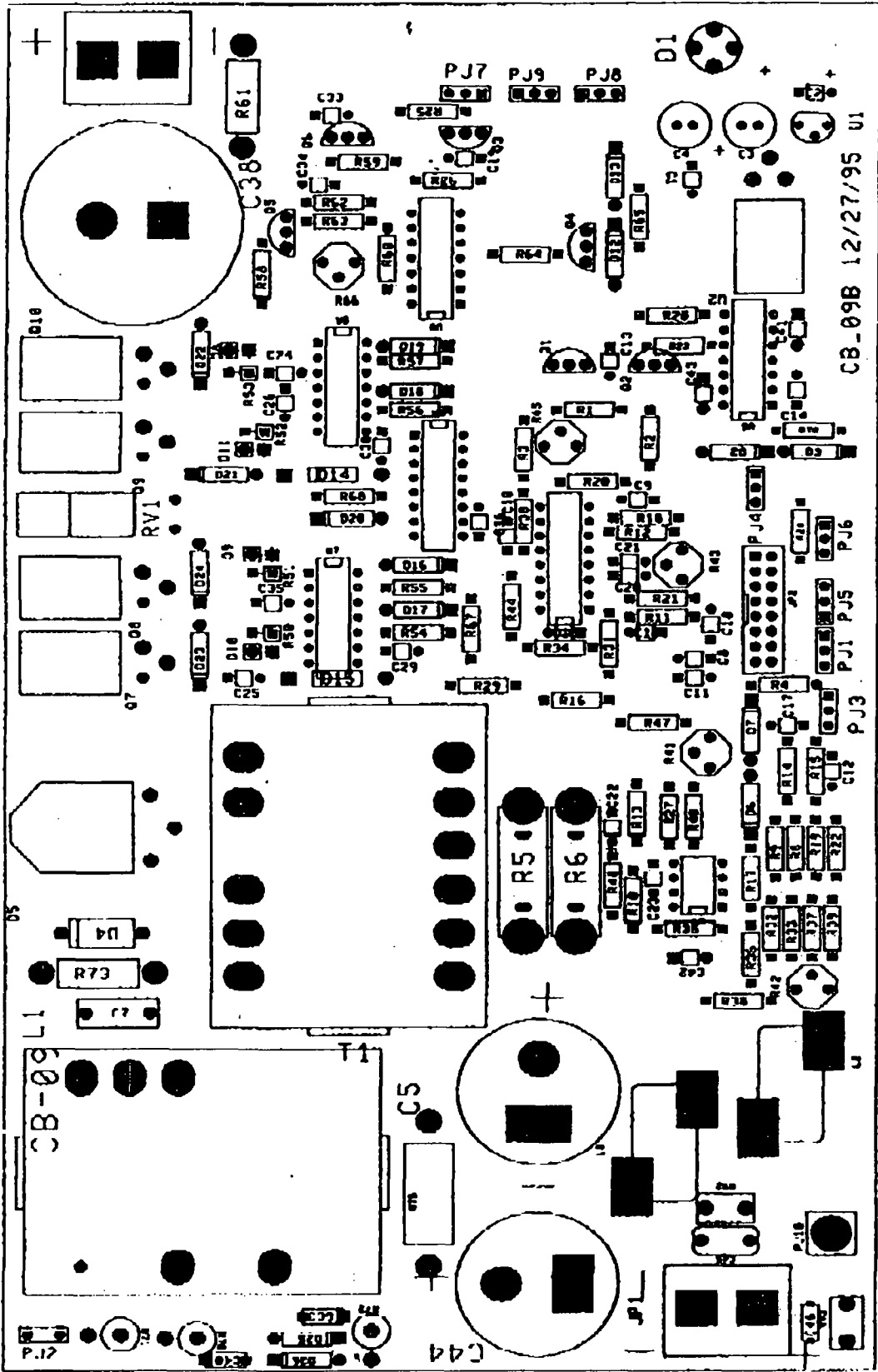
Oatl - Gulp Inc.	
Title CB-098 DRIVE	
Size Document Number A	REV A
Date: March 23, 1997 Sheet 3 of 5	



Title		Data - Output Inc	
Size Document Number		CB-098 LY POWER	
REV		A	
DATE:		MAR 23 1997 SHEET 2 OF 2	



Title		0931 - GUID I/O	
SHEET DOCUMENT NUMBER		CB_098	
REV	A	DATE	MADE 23 1997
		SHEET	1 OF 2



CB-09B 12/27/95 U1

CB-09

C5

C44

P.17

PJ3

PJ5

PJ6

PJ4

PJ2

PJ1

PJ9

PJ8

PJ7

PJ6

PJ5

PJ4

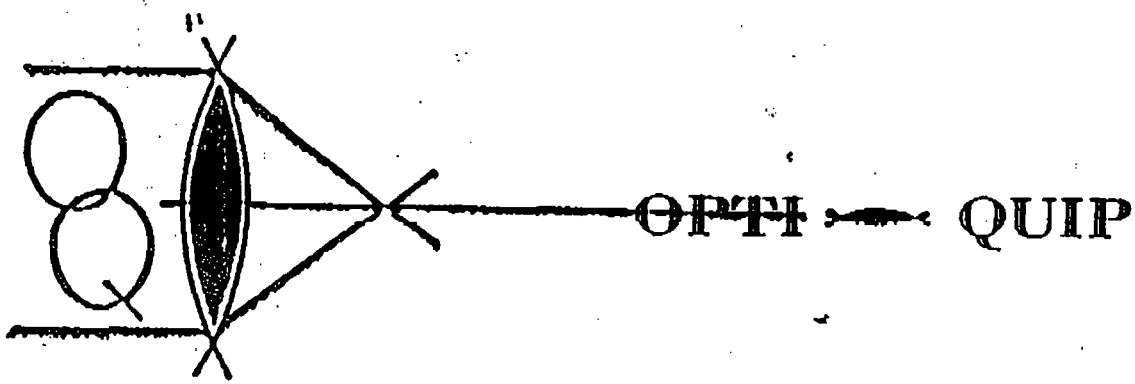
PJ3

PJ2

PJ1

PJ0

PJ-1



FAX HEADER SHEET

FROM: OPTI QUIP INC.
P.O. BOX 469
548 Route 32
HIGHLAND MILLS, NEW YORK 10930

TELEPHONE (914) 928-2254 FAX (914) 928-6206

TO: Clem Dummett FAX# 619-534-0173

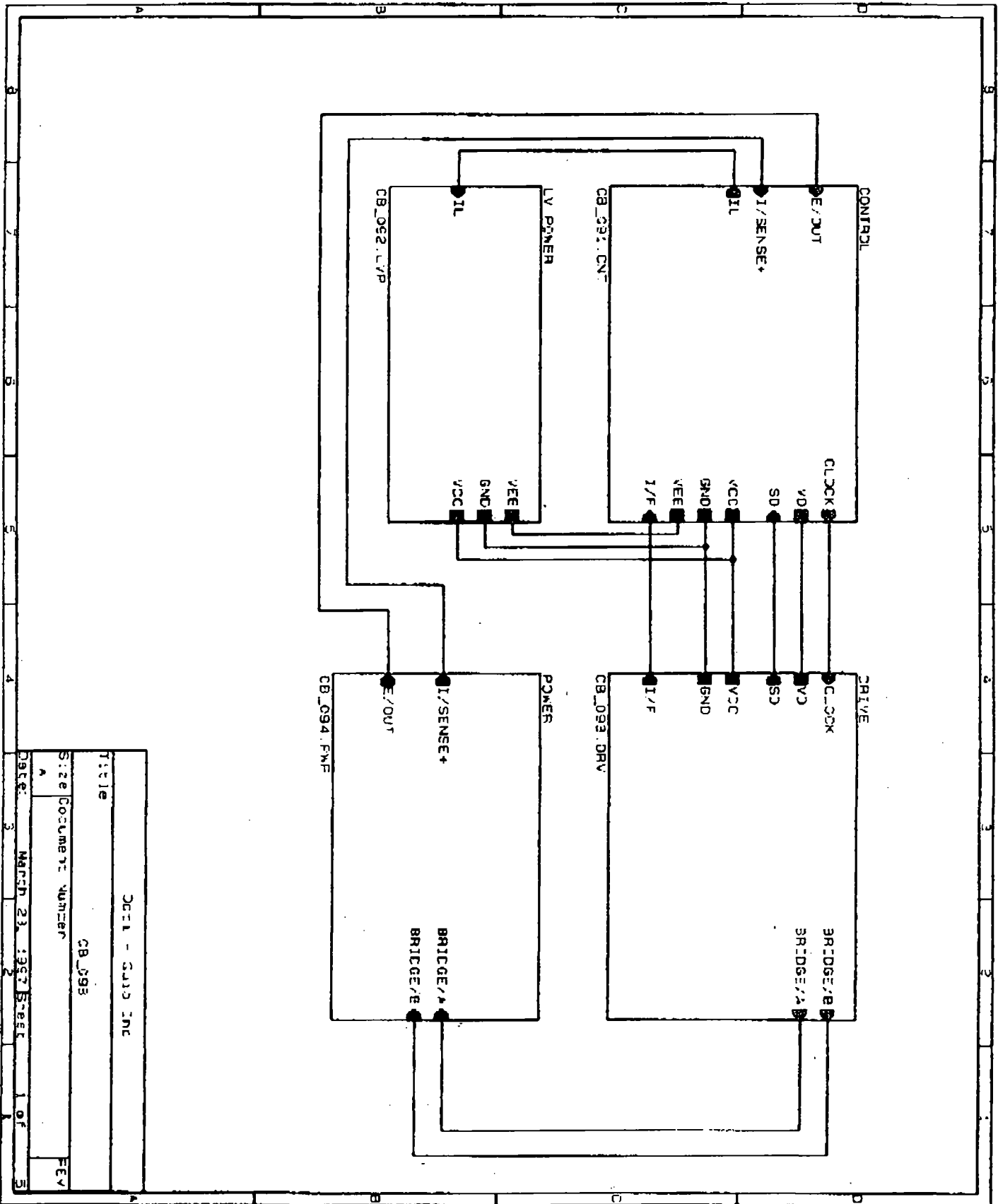
DATE: 8/14/97 RE: _____

TRANSMITTED HERewith ARE 7 PAGES, INCLUDING THIS HEADER SHEET. IF THERE ARE ANY PROBLEMS WITH THIS TRANSMISSION, PLEASE CONTACT Mary

MESSAGE

clear ship + Billing UPS Ref.

ALBANY TURNPIKE • HIGHLAND MILLS
NEW YORK 10930 • (914) 928-2254 • (FAX) 928-6206



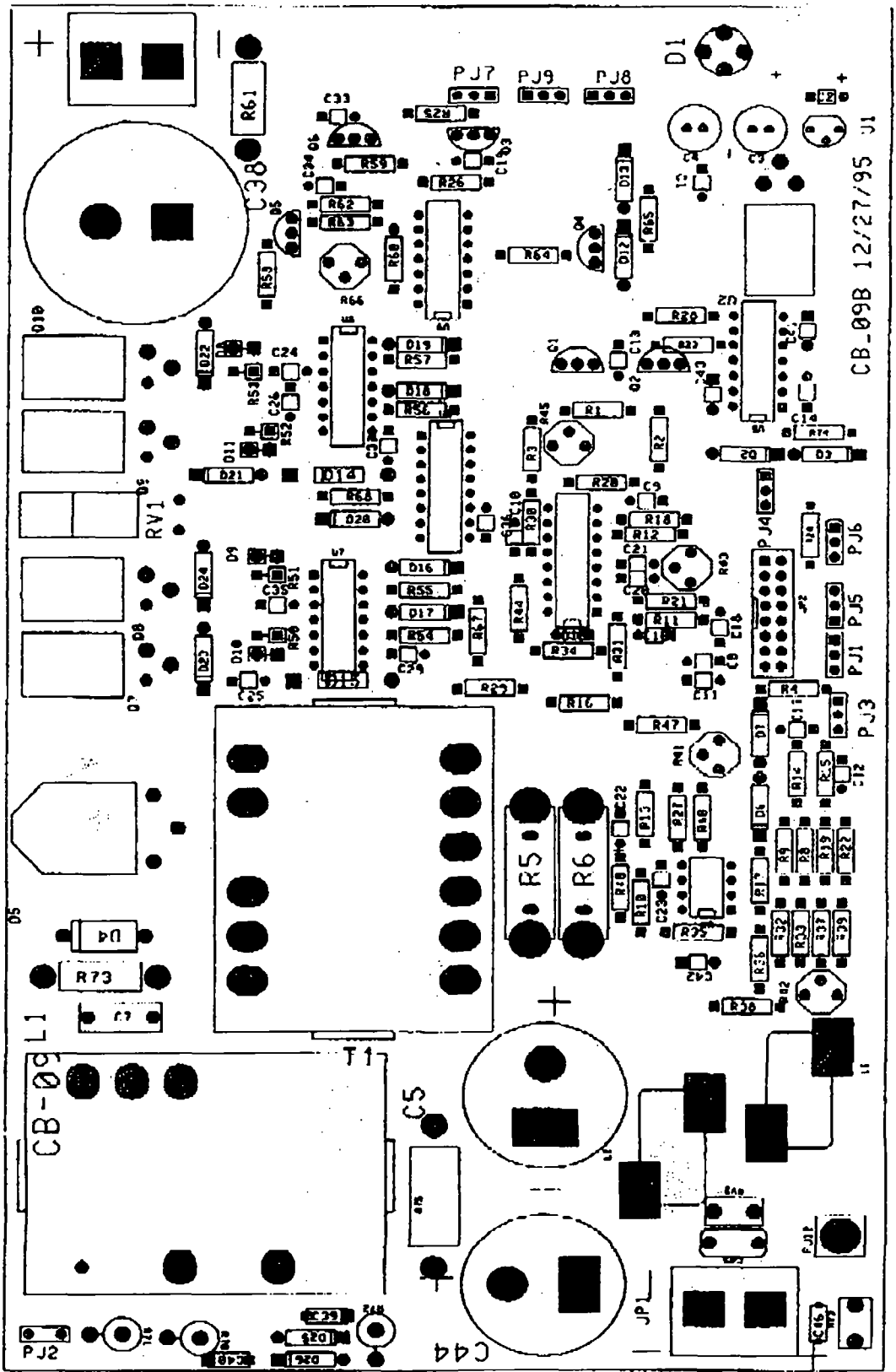
DCEL - GULD INC

Title CB_098

Size Document Number

Date A MARCH 23 1997 Street 1 of 3

FEV



CB-09B 12/27/95 J1

PJ9
BRW

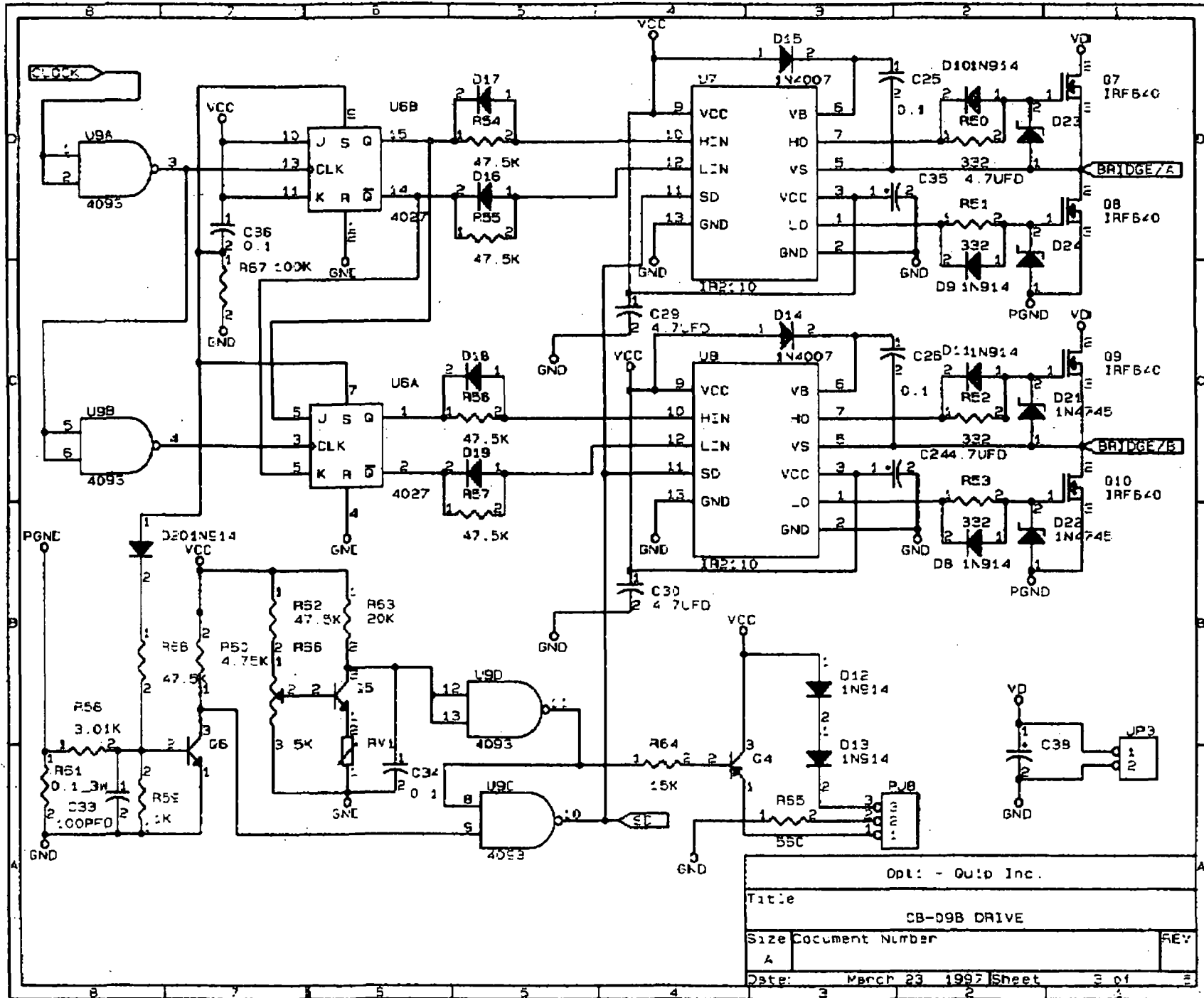
PJ8
GBR

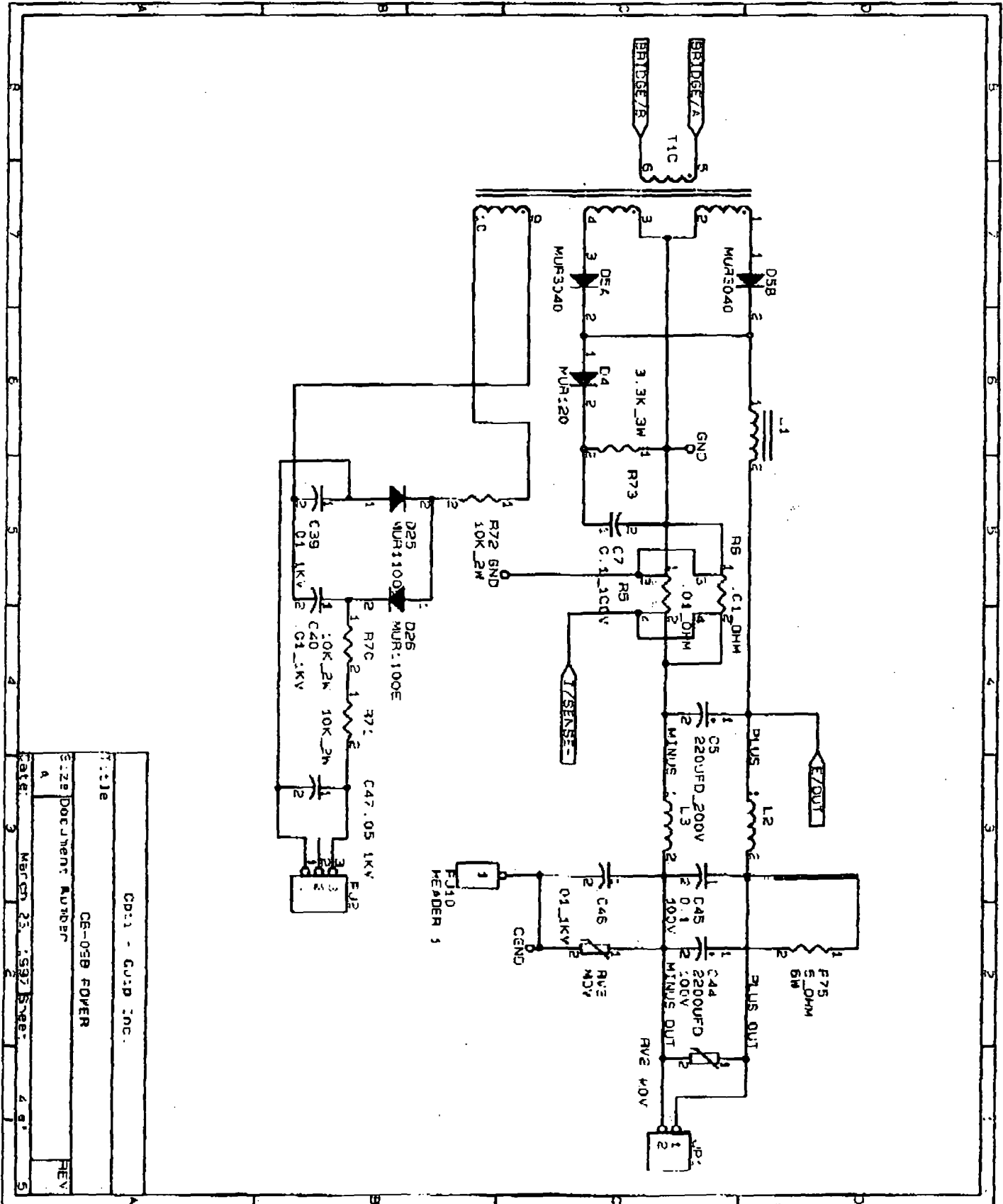
▭ RIBCON

COAX
PJ3

Rd BlqN
PJ7

GW
A
PJ2





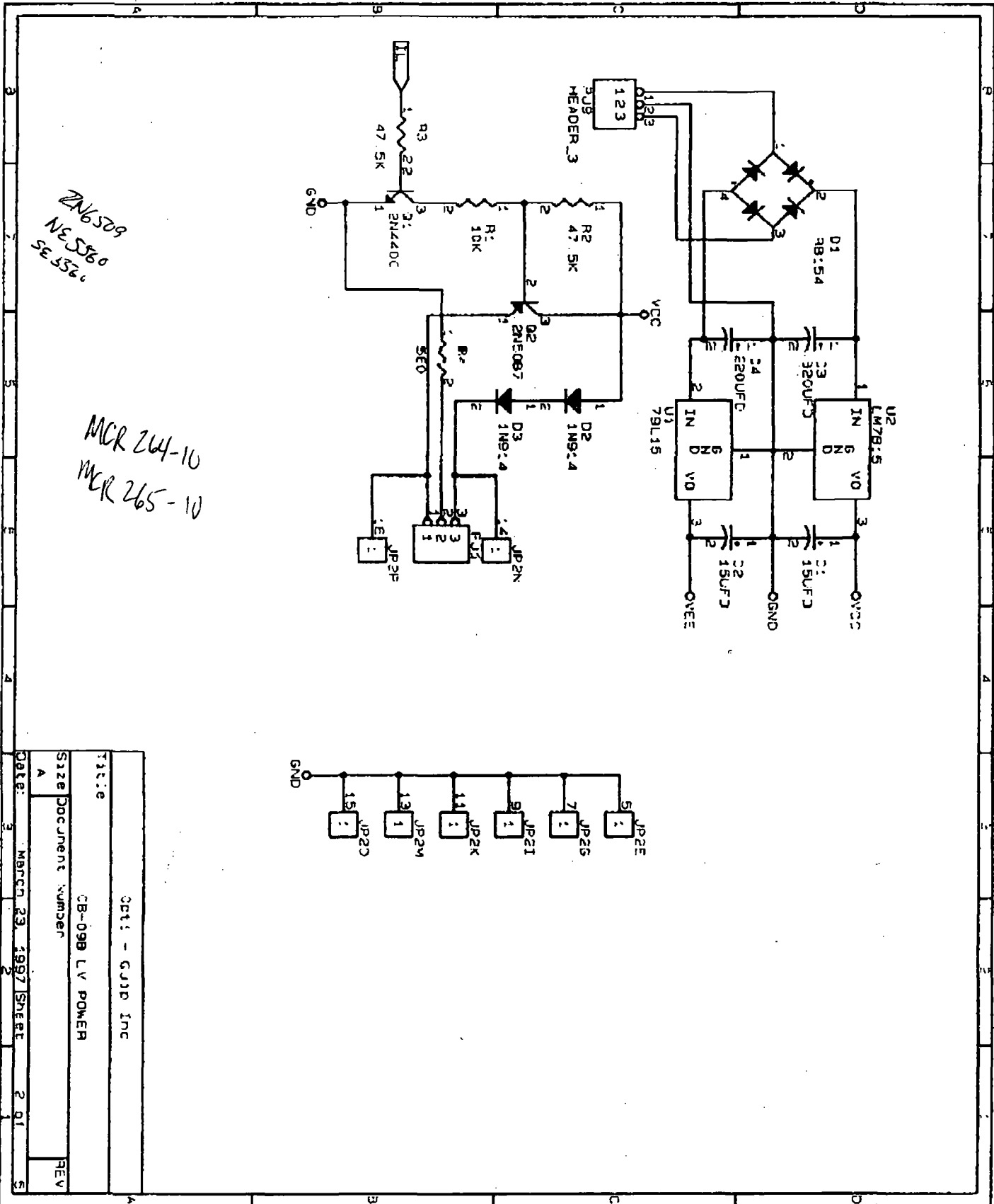
CD-1 - GUPD INC.

DE-05B FOWER

Document Number

March 23, 1987

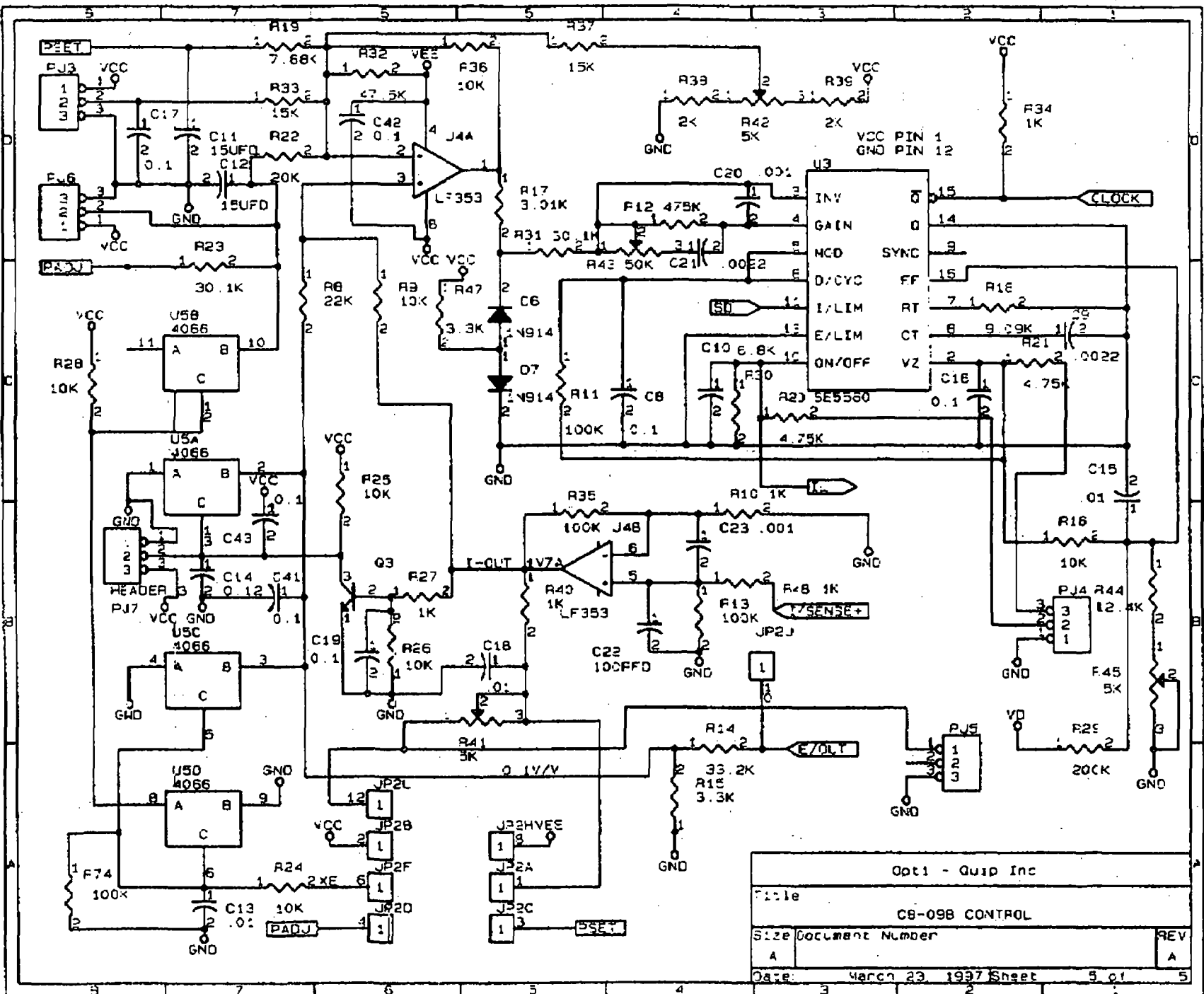
REV



ZN6509
 NE5560
 SE5560

MCR 264-10
 MCR 265-10

Title		Opti - Guid Inc	
Size Document Number		CB-098 LV POWER	
Date:	MARCH 23 1997	Sheet	2 of 5
REV	A		



Opt1 - Guip Inc		
Title		
CB-09B CONTROL		
Size	Document Number	REV
A	A	A
Date:	March 23, 1997	Sheet 5 of 5