

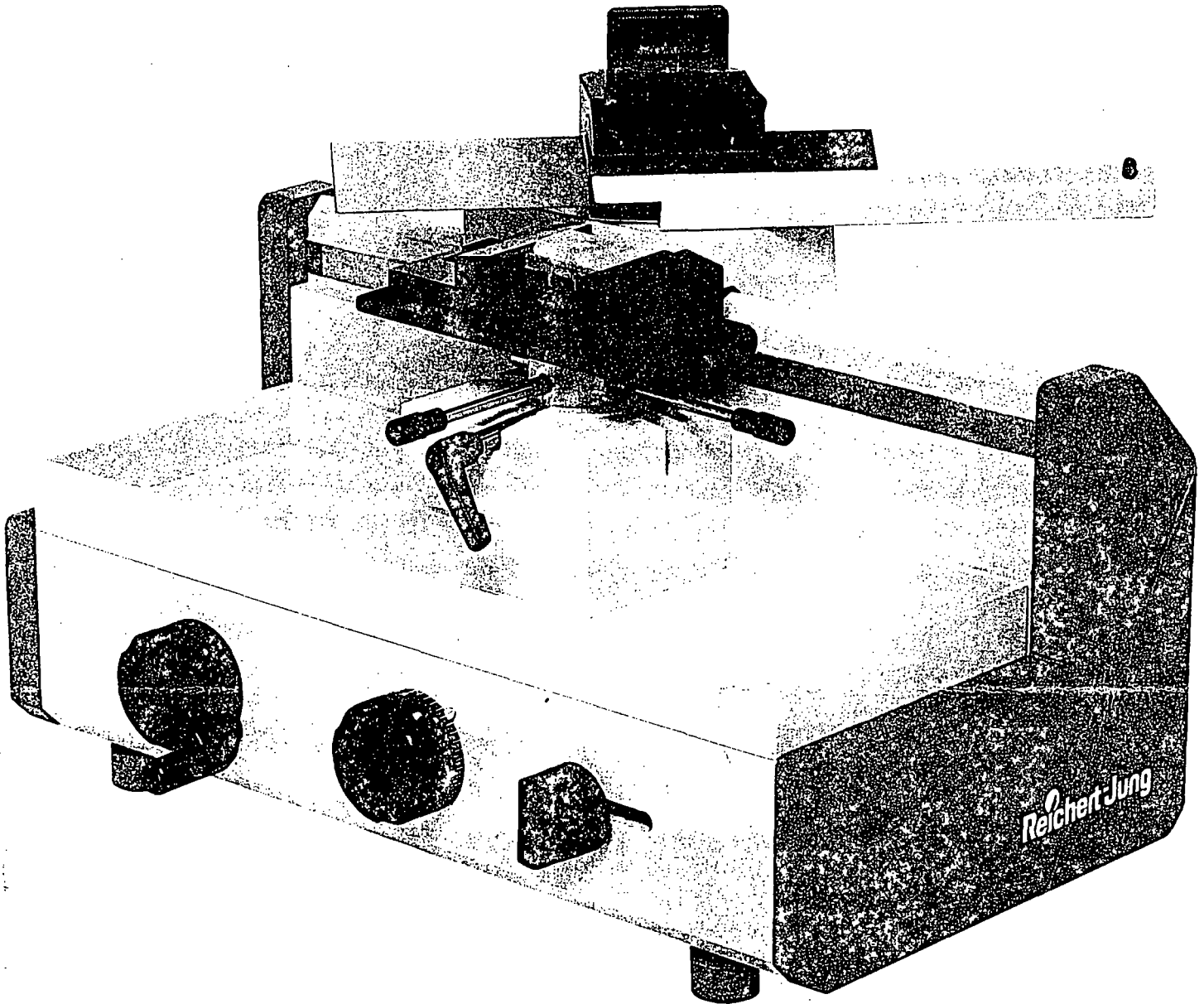
M.O.C. INC.

P.O. Box 586 Valley Cottage, NY 10989
(914) 268-6450

Reichert-Jung

HISTOSLIDE 2000

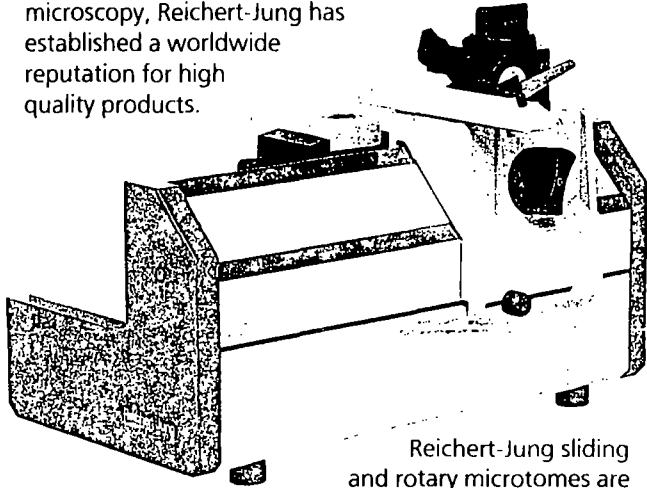
A compact sliding microtome



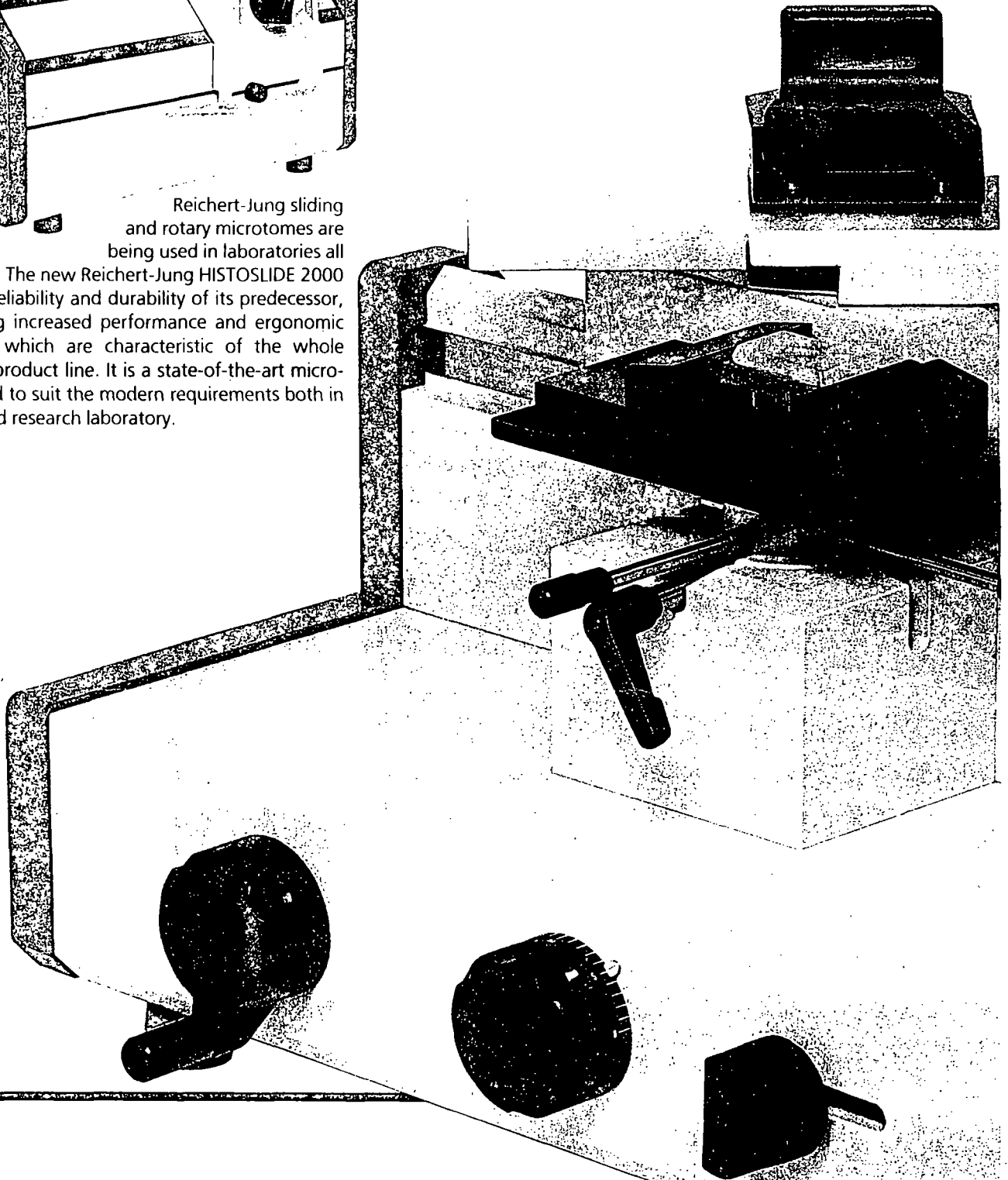
**A CAMBRIDGE INSTRUMENTS
COMPANY**

Increased performance and smoother operation

With more than 100 years of experience in microtomy and microscopy, Reichert-Jung has established a worldwide reputation for high quality products.



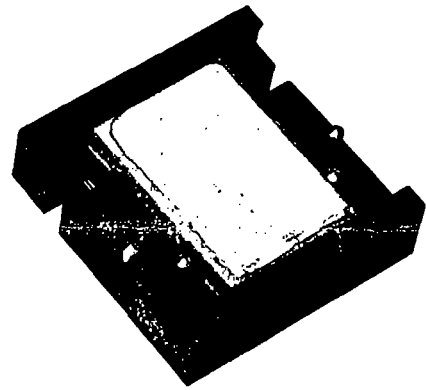
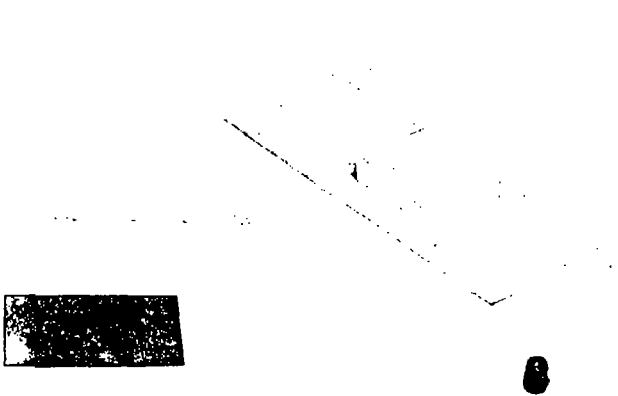
Reichert-Jung sliding and rotary microtomes are being used in laboratories all over the world. The new Reichert-Jung HISTOSLIDE 2000 preserves the reliability and durability of its predecessor, while providing increased performance and ergonomic improvements which are characteristic of the whole Reichert-Jung product line. It is a state-of-the-art microtome, designed to suit the modern requirements both in the medical and research laboratory.



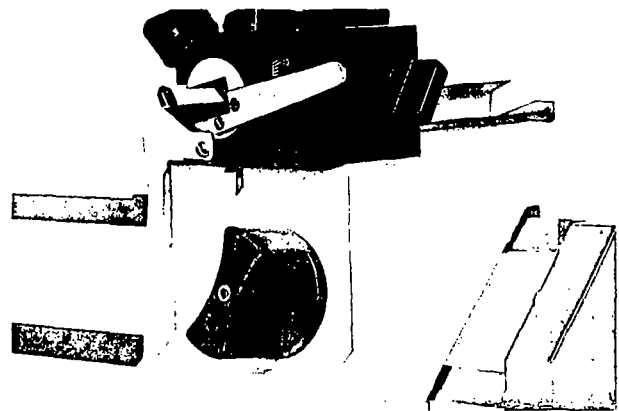
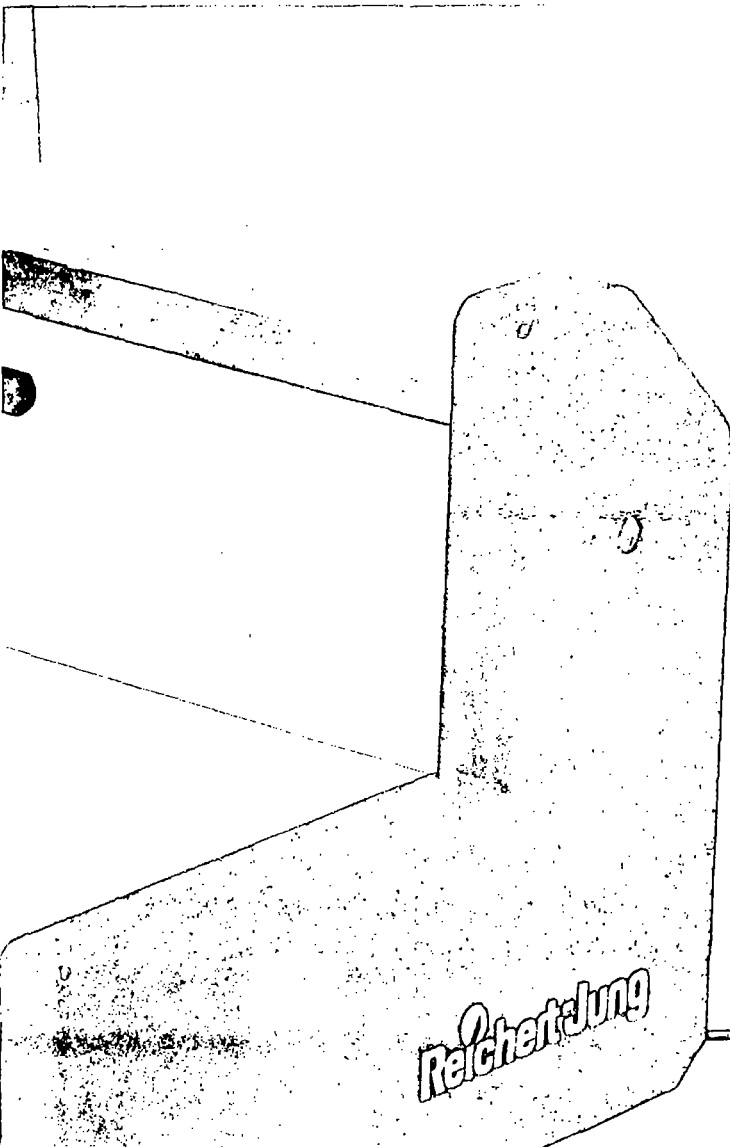
Precision engineering

The newly designed and virtually maintenance-free micrometer feed system is totally enclosed to prevent section waste or cleaning fluids from entering the mechanism, where accumulated debris will eventually cause failure.

Smooth, resistant surfaces make the HISTOSLIDE 2000 easy to clean. For additional convenience, an optional waste tray is available.

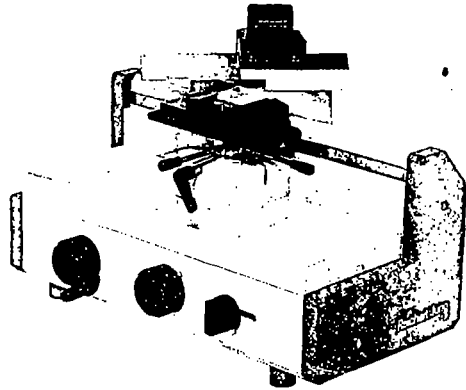


The section selector and the coarse feed are positioned conveniently on the side of the instrument within easy reach of the user. The selected section thickness can be read from the scale at a glance.



Increased productivity

The specimen advance can be either automatically or manually initiated. When sectioning smaller blocks, the automatic stop can be easily repositioned thus shortening the stroke saving both time and effort. No special tools are required.

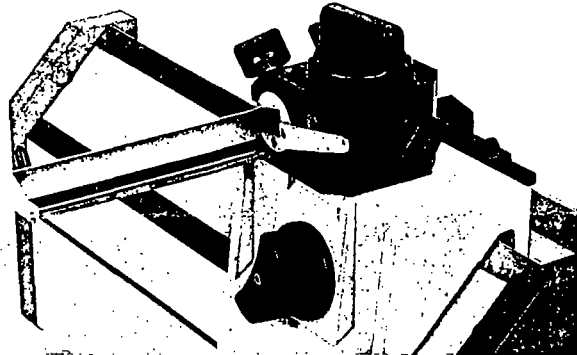


Tireless operation

The sledge glides smoothly on five bearings which have been carefully dimensioned to redistribute oil on the slideways. This will minimize the cutting effort without compromising the stability, which is essential for good quality sectioning.

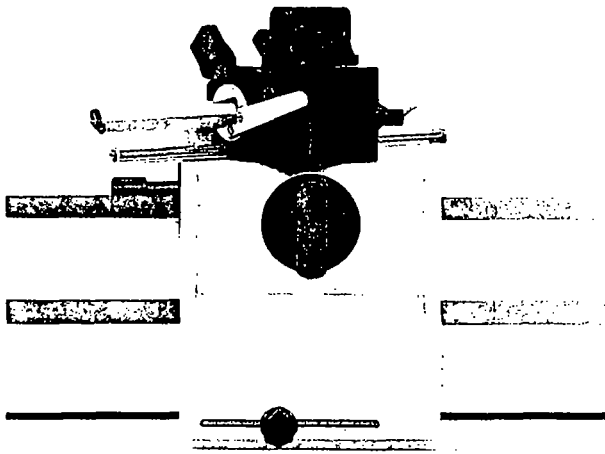
Rugged specimen holder

The specimen holder will accommodate blocks up to 80 x 60 mm. Orientation is standard. No tools are required to switch to cassettes. A simple spring loaded



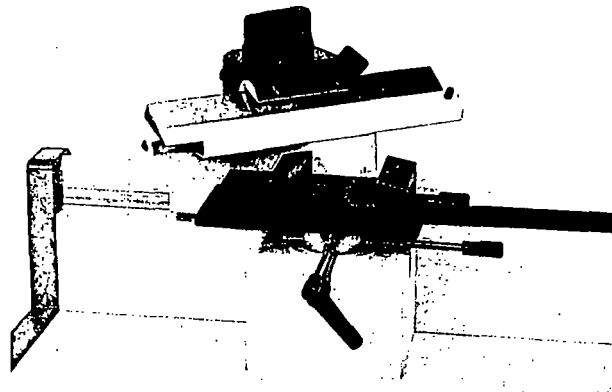
insert is placed in the vise, and sectioning can start immediately.

Reichert-Jung offer the widest range of products for microtomy. All critical components are developed and manufactured at the Reichert-Jung factory in Nussloch



Easy to handle knife holder

The knife can be clamped quickly and is securely held by two screws. The declination can be adjusted by simply loosening the handle — no tools are required. The clearance angle can be adjusted without loosening the retaining screws on the knife. Safety is essential and the knife guard will protect a 22 cm knife.



near Heidelberg and are subjected to the strictest quality control to ensure they conform to the highest standards. It is this attention to detail that has established Reichert-Jung as the world's leading manufacturer of microtomes.

Specification and ordering information

Basic specification

Catalog Number

Totally enclosed micrometer system with orientating fixed jaw specimen clamp for paraffin blocks. Maximum specimen size 80 × 60 mm. Section thickness adjustable in the range of 0–60 μm . Automatic advance in the range of 0–30 μm . Selectable in 1 μm increments from 0–10 μm , in 2 μm increments from 10–20 μm , in 5 μm increments from 20–60 μm . Feed range 40 mm.

Knife holder for standard knives with knife guard, inclination and declination adjustable without loosening the knife.

Standard system including protective cover 0413 18800

System including oil for slideways 404, micrometer 405 and rust preventative oil 406 90720

Microtome accessories

Oil for slideways 404, 50 ml 0336 06080

Oil for micrometer 405, 50 ml 0336 06086

Rust preventative oil 406, 100 ml 0336 06093

Waste tray 0413 18960

Cassette clamp insert 0413 18963

Distance plate for knife holder for use with Reichert-Jung cassette clamp 0394 09151 and freezing equipment such as Frigomobil 0413 18967

Sectioning accessories

Knife 16 cm profile c (both sides plane) 0216 07100

Knife 16 cm profile d (both sides plane with steep facet) 0216 07132

Knife 22 cm profile c (both sides plane) 0216 07116

Variable knife case for 1 or 2 knives (10, 12 or 16 cm) 0213 11140

Variable knife case for 1 or 2 knives (22, 25 or 30 cm) 0213 11141

Dispenser with 50 disposable blades 75 × 14 mm (high profile) 0358 12881

Dispenser with 50 disposable blades 75 × 8 mm (low profile) 0358 13583

Holder for disposable blades (high profile and low profile) 0368 09426

Equipment for frozen sections

Frigomobil O for specimen cooling 0354 09723

Frigomobil OM for specimen and knife cooling 0354 09717

CO₂ freezing stage with accessories 0274 05918

Technical data

Dimensions

Width: 30 cm, depth 44 cm, height 33 cm

Weight: 32 kg

Due to a policy of continuous development, we reserve the right to change specifications without notice.

Reichert-Jung

CAMBRIDGE-INSTRUMENTS is an international high-technology group specializing in the development and manufacture of scientific instrumentation, electron optical microscopes, vision care apparatus and semi-conductor manufacturing equipment. With origins that go back over 100 years, Cambridge has an excellent reputation for technical innovation and has pioneered numerous commercial applications of scientific discoveries. Research and development is carried out in the United States and Europe – in Vienna, Heidelberg and Cambridge. In Heidelberg and Vienna, the Reichert-Jung products are produced.

REICHERT-JUNG is the name associated with the world's leading manufacturer of microtomes, ultramicrotomes and research microscopes, which are used extensively in life sciences, histology, clinical pathology, materials science and industry. Over 100 dedicated years of precision engineering experience culminate in the widest range of products for microtomy. The continual investment in research, development and manufacturing facilities are proof of Reichert-Jung's commitment to quality. Four generations of biologists, scientists and technicians have used and are continuing to use Reichert-Jung microtomes both for research and routine applications.

M. O. C. INC.
MICROSCOPICAL OPTICAL CONSULTING
P. O. BOX 586
VALLEY COTTAGE, N.Y. 10989
914-268-6450

Cambridge Instruments Inc.

Sales: P.O. Box 123, Buffalo, New York 14240, U.S.A., Telephone: (716) 891-3000, Tel.: 91-285, Telef. (716) 891-3155
Service: 111 Deer Lake Road, Deerfield, Illinois 60015, U.S.A., Telephone: (312) 405-0123, Telefax: (312) 405-0147

M Microscopical
O Optical
C Consulting Inc.

P.O. Box 586
Valley Cottage, New York 10989
(914) 268-6450
FAX 914-268-0172

DATE Feb. 1, 1994

TO: David Kleinseld

FAX: 908/582-2451

FROM: Deanna R. Pagano

PHONE NO. 914/268-6450

FAX: 914/268-0172

2 PAGES INCLUDING COVER SHEET.

COMMENTS: *I added to the quote what is needed
& what you wanted.*

I hope this is okay.

Any questions please call me.

SINCERELY YOURS,

M.O.C. INC.

Deanna S. Pagano

**M
O
C** Microscopical
Optical
Consulting Inc.

P.O. Box 586, Valley Cottage, NY 10989
(914) 268-8450 / FAX 914-268-0172

QUOTATION

ORDER NUMBER	No. 7054
DATE	02-01-94

TO
Mr. David Kleinseld
ROOM 1C-463
AT&T BELL LABORATORIES
600 Mountain Avenue
Murray Hill, NJ 07974 Fax#: 908/582-2451

PRICES AND TECHNICAL SPECIFICATIONS HEREIN ARE SUBJECT TO CHANGE WITHOUT NOTICE.

TERMS	DELIVERY	SHIP VIA
NET 30 DAYS		
CATALOG NUMBER	DESCRIPTION	
045325121	1 HISTOSLIDE 2000 R complete with Automatic section thickness adjustment with: Maintenance free Sliding microtome on guide rollers with totally enclosed micrometer feed system and orientating fixed-jaw specimen clamp for paraffin sectioning. Knife holder for standard knives and all current disposable blade holders. Inclination and declination angles adjustable without loosening knife. Vertically installed guide rollers prevent debris from entering the roller bearings. Automatic specimen advance in the range of 1-30um, selectable in 1um increments from 0-10um, in 2um increments from 10-20um, in 5um increments from 20-60um. Total specimen feed range is 40mm. Protective cover included.	\$ 8,936.00
027405918	1 Cooling Stage	\$ 879.00
021404121	1 Bottle Stand	\$ 637.00
021607100	1 16cm C Profile Knife	\$ 216.00
021607132	1 16cm D Profile Knife	\$ 216.00
	SHIPPING CHARGES \$ 140.00	
	35-45 DAYS DELIVERY TIME, AFTER RECEIPT OF YOUR PURCHASE ORDER.	
	PRICE QUOTATION VALID FOR (30) DAYS.	

This equipment is subject to modifications and the above quotation does not constitute a commitment to sell these items. All prices are subject to local or state sales taxes, if any.

Authorized Signature Deanna B. Pagano

M
O
C Microscopical
Optical
Consulting Inc.

P.O. Box 588, Valley Cottage, NY 10989
(914) 268-6450 / FAX 914-268-0172

QUOTATION

ORDER NUMBER	No 7054
DATE	02-01-94

To Mr. David Kleinseld
ROOM 1C-483
AT&T BELL LABORATORIES
600 Mountain Avenue
Murray Hill, NJ 07974 Fax#: 908/582-2451

PRICES AND TECHNICAL SPECIFICATIONS HEREIN ARE SUBJECT TO CHANGE WITHOUT NOTICE.

TERMS NET 30 DAYS	DELIVERY	SHIP VIA
-----------------------------	----------	----------

CATALOG NUMBER	DESCRIPTION	
045325121	1 HISTOSLIDE 2000 R complete with Automatic section thickness adjustment with: Maintenance free Sliding microtome on guide rollers with totally enclosed micrometer feed system and orientating fixed-jaw specimen clamp for paraffin sectioning. Knife holder for standard knives and all current disposable blade holders. Inclination and declination angles adjustable without loosening knife. Vertically installed guide rollers prevent debris from entering the roller bearings. Automatic specimen advance in the range of 1-30um, selectable in 1um increments from 0-10um, in 2um increments from 10-20um, in 5um increments from 20-60um. Total specimen feed range is 40mm. Protective cover included. <i>Includes pettin cold stage.</i>	\$ 6,936.00
021607100	16cm Knife (8215 each)	
	SHIPPING CHARGES	\$ 140.00
	35-45 DAYS DELIVERY TIME, AFTER RECEIPT OF YOUR PURCHASE ORDER.	
	PRICE QUOTATION VALID FOR (30) DAYS.	

This equipment is subject to modifications and the above quotation does not constitute a commitment to sell these items. All prices are subject to local or state sales taxes, if any.

Authorized Signature *Deanna B. Pagano*

**M
O
C** Microscopical
Optical
Consulting inc.

P.O. Box 586, Valley Cottage, NY 10989
(914) 268-6450 / FAX 914-268-0172

QUOTATION

ORDER NUMBER	No 7054
DATE	02-01-94

T O
Mr. David Kleinseld
ROOM 1C-463
AT&T BELL LABORATORIES
600 Mountain Avenue
Murray Hill, NJ 07974 Fax#: 908/582-2451

PRICES AND TECHNICAL SPECIFICATIONS HEREIN ARE SUBJECT TO CHANGE WITHOUT NOTICE.

TERMS	DELIVERY	SHIP VIA
NET 30 DAYS		
CATALOG NUMBER	DESCRIPTION	
045325121	1 HISTOSLIDE 2000 R complete with Automatic section thickness adjustment with: Maintenance free Sliding microtome on guide rollers with totally enclosed micrometer feed system and orientating fixed-jaw specimen clamp for paraffin sectioning. Knife holder for standard knives and all current disposable blade holders. Inclination and declination angles adjustable without loosening knife. Vertically installed guide rollers prevent debris from entering the roller bearings. Automatic specimen advance in the range of 1-30um, selectable in 1um increments from 0-10um, in 2um increments from 10-20um, in 5um increments from 20-60um. Total specimen feed range is 40mm. Protective cover included.	\$ 6,936.00
027405918	1 Cooling Stage	\$ 879.00
021404121	1 Bottle Stand	\$ 637.00
021607100	1 16cm C Profile Knife	\$ 216.00
021607132	1 16cm D Profile Knife	\$ 216.00
	SHIPPING CHARGES \$ 140.00	
	35-45 DAYS DELIVERY TIME, AFTER RECEIPT OF YOUR PURCHASE ORDER.	
	PRICE QUOTATION VALID FOR (30) DAYS.	

This equipment is subject to modifications and the above quotation does not constitute a commitment to sell these items.
All prices are subject to local or state sales taxes, if any.

Authorized Signature *Deanna R. Pagano*

**Microscopical
Optical
Consulting inc.**

P.O. Box 586, Valley Cottage, NY 10989
(914) 268-6450 / FAX 914-268-0172

QUOTATION

ORDER NUMBER	NO 7054
DATE	02-01-91

TO
Mr. David Kleinseld
ROOM 1C-463
AT&T BELL LABORATORIES
600 Mountain Avenue
Murray Hill, NJ 07974 Fax#: 908/582-2451

PRICES AND TECHNICAL SPECIFICATIONS HEREIN ARE SUBJECT TO CHANGE WITHOUT NOTICE.

TERMS	DELIVERY	SHIP VIA
NET 30 DAYS		
CATALOG NUMBER	DESCRIPTION	
045325121	1 HISTOSLIDE 2000 R complete with Automatic section thickness adjustment with: Maintenance free Sliding microtome on guide rollers with totally enclosed micrometer feed system and orientating fixed-jaw specimen clamp for paraffin sectioning. Knife holder for standard knives and all current disposable blade holders. Inclination and declination angles adjustable without loosening knife. Vertically installed guide rollers prevent debris from entering the roller bearings. Automatic specimen advance in the range of 1-30um, selectable in 1um increments from 0-10um, in 2um increments from 10-20um, in 5um increments from 20-60um. Total specimen feed range is 40mm. Protective cover included.	\$ 6,936.00
027405918	1 Cooling Stage	\$ 879.00
021404121	1 Bottle Stand	\$ 637.00
021607100	1 16cm C Profile Knife	\$ 216.00
021607132	1 16cm D Profile Knife	\$ 216.00
	SHIPPING CHARGES \$ 140.00	
	35-45 DAYS DELIVERY TIME, AFTER RECEIPT OF YOUR PURCHASE ORDER.	
	PRICE QUOTATION VALID FOR (30) DAYS.	

*This equipment is subject to modifications and the above quotation does not constitute a commitment to sell these items.
All prices are subject to local or state sales taxes, if any.*

Authorized Signature *Deanna B. Pagano*

M **Microscopical**
O **Optical**
C **Consulting inc.**

Sales & Services

Microscopes • Microtomes • Cameras

Helmut Patzig
P.O. Box 586
Valley Cottage, NY 10989

(914) 268-6450
FAX 914-268-0172