

# Programmer Manual



## **TDS200, TDS1000/TDS2000, TDS1000B/TDS2000B, and TPS2000 Series Digital Oscilloscopes**

**071-1075-04**

This document supports:

- TPS2000 Series instruments, any version.
- TDS1000B and TDS2000B Series instruments, any version.
- TDS2CM or TDS2CMA, any version, when used in TDS1000 or TDS2000 Series instruments, any version.
- TDS2MEM any version, when used in most TDS1000 or TDS2000 Series instruments (except TDS1001 and TDS2004 models), any version.
- TDS2CM, TDS2CMA, or TDS2MM any version, when used in a TDS224 instrument, any version.
- TDS2CM or TDS2CMA version CMV:v1.04 and above, or TDS2MM any version, when used in TDS210 and TDS220 instruments with FV:v1.09 and above.

**[www.tektronix.com](http://www.tektronix.com)**

Copyright © Tektronix. All rights reserved. Licensed software products are owned by Tektronix or its subsidiaries or suppliers, and are protected by national copyright laws and international treaty provisions.

Tektronix products are covered by U.S. and foreign patents, issued and pending. Information in this publication supercedes that in all previously published material. Specifications and price change privileges reserved.

TEKTRONIX and TEK are registered trademarks of Tektronix, Inc.

OpenChoice® is a registered trademark of Tektronix Inc.

Tektronix is an authorized licensee of the CompactFlash® trademark.

PictBridge is a trademark of the Standard of Camera & Imaging Products Association CIPA DC-001-2003 Digital Photo Solutions for Imaging Devices.

## **Contacting Tektronix**

Tektronix, Inc.  
14200 SW Karl Braun Drive  
P.O. Box 500  
Beaverton, OR 97077  
USA

For product information, sales, service, and technical support:

- In North America, call 1-800-833-9200.
- Worldwide, visit [www.tektronix.com](http://www.tektronix.com) to find contacts in your area.

# Table of Contents

<b>Preface</b> .....	<b>vii</b>
Related Documents .....	vii
Conventions .....	xi

## Getting Started

<b>Getting Started</b> .....	<b>1-1</b>
------------------------------	------------

## Syntax and Commands

<b>Command Syntax</b> .....	<b>2-1</b>
Command and Query Structure .....	2-2
Command Entry .....	2-6
Constructed Mnemonics .....	2-9
Argument Types .....	2-11
<b>Command Groups</b> .....	<b>2-15</b>
Acquisition Commands .....	2-15
Calibration and Diagnostic Commands .....	2-16
Cursor Commands .....	2-17
Display Commands .....	2-18
File System Commands (TDS2MEM Module, TDS1000B, TDS2000B, and TPS2000 Only) .....	2-19
Hard Copy Commands .....	2-20
Horizontal Commands .....	2-21
Math Commands .....	2-22
Measurement Commands .....	2-23
Miscellaneous Commands .....	2-25
PictBridge Commands (TDS1000B and TDS2000B Only) ...	2-27
Power and Battery-Related Commands (TPS2000 Only) .....	2-28
Power Measurement (TPS2000 with TPS2PWR1 Power Analysis Application Key Installed Only) .....	2-28
RS-232 Commands .....	2-32
Save and Recall Commands .....	2-32
Status and Error Commands .....	2-33
Trigger Commands .....	2-34
Vertical Commands .....	2-36
Waveform Commands .....	2-37
Waveform Data Formats .....	2-40

Waveform Data Record .....	2-42
Waveform Data Locations and Memory Allocation .....	2-42
Waveform Preamble .....	2-43
Scaling Waveform Data .....	2-43
Transferring Waveform Data .....	2-43
<b>Command Descriptions .....</b>	<b>2-45</b>

## **Status and Events**

<b>Status and Events .....</b>	<b>3-1</b>
Registers .....	3-1
Status Registers .....	3-1
Enable Registers .....	3-4
The Enable Registers and the *PSC Command .....	3-6
Queues .....	3-6
The Output Queue .....	3-6
The Event Queue .....	3-7
Event Handling Sequence .....	3-8
Synchronization Methods .....	3-10
Using the *WAI Command .....	3-11
Using the BUSY Query .....	3-13
Using the *OPC Set Command .....	3-14
Using the *OPC? Query .....	3-16
Messages .....	3-17

## **Programming Examples**

<b>Programming Examples .....</b>	<b>4-1</b>
-----------------------------------	------------

## **Appendices**

<b>Appendix A: ASCII Code Chart .....</b>	<b>A-1</b>
<b>Appendix B: Factory Setup .....</b>	<b>B-1</b>
TDS1000B and TDS2000B Series Oscilloscopes .....	B-1
TPS2000 Series Oscilloscopes .....	B-3
TDS1000 and TDS2000 Series Oscilloscopes .....	B-5
TDS210 and TDS220 Oscilloscopes .....	B-6
TDS224 Oscilloscopes .....	B-8

## **Glossary and Index**

## List of Figures

<b>Figure 2-1: Command message elements</b> .....	<b>2-4</b>
<b>Figure 2-2: Block Argument example</b> .....	<b>2-14</b>
<b>Figure 3-1: The Standard Event Status Register (SESR)</b> ..	<b>3-2</b>
<b>Figure 3-2: The Status Byte Register (SBR)</b> .....	<b>3-3</b>
<b>Figure 3-3: The Device Event Status Enable Register (DESER)</b> .....	<b>3-5</b>
<b>Figure 3-4: The Event Status Enable Register (ESER)</b> ....	<b>3-5</b>
<b>Figure 3-5: The Service Request Enable Register (SRER)</b> .	<b>3-5</b>
<b>Figure 3-6: Status and event handling process</b> .....	<b>3-9</b>
<b>Figure 3-7: Command processing without using synchronization</b> .....	<b>3-11</b>
<b>Figure 3-8: Processing sequence with synchronization</b> ....	<b>3-11</b>

## List of Tables

<b>Table 1-1: Communications ports and functions</b> .....	<b>1-1</b>
<b>Table 1-2: Oscilloscope, extension module, and adapter compatibility</b> .....	<b>1-2</b>
<b>Table 2-1: Oscilloscope communication protocol</b> .....	<b>2-1</b>
<b>Table 2-2: BNF notation</b> .....	<b>2-2</b>
<b>Table 2-3: Command message elements</b> .....	<b>2-3</b>
<b>Table 2-4: Comparison of Header Off and Header On responses</b> .....	<b>2-5</b>
<b>Table 2-5: Types of numeric arguments</b> .....	<b>2-11</b>
<b>Table 2-6: Oscilloscope handling of incorrect numeric arguments</b> .....	<b>2-12</b>
<b>Table 2-7: Parts of a block argument</b> .....	<b>2-13</b>
<b>Table 2-8: Acquisition commands</b> .....	<b>2-15</b>
<b>Table 2-9: Calibration and Diagnostic commands</b> .....	<b>2-16</b>
<b>Table 2-10: Cursor commands</b> .....	<b>2-17</b>
<b>Table 2-11: Display commands</b> .....	<b>2-18</b>
<b>Table 2-12: File System commands</b> .....	<b>2-19</b>
<b>Table 2-13: Hard Copy commands</b> .....	<b>2-20</b>
<b>Table 2-14: Horizontal commands</b> .....	<b>2-21</b>
<b>Table 2-15: Math commands</b> .....	<b>2-22</b>
<b>Table 2-16: Measurement commands</b> .....	<b>2-24</b>
<b>Table 2-17: Miscellaneous commands</b> .....	<b>2-25</b>
<b>Table 2-18: PictBridge commands (TDS1000B and TDS2000B only)</b> .....	<b>2-27</b>
<b>Table 2-19: Power and Battery-Related commands (TPS2000 only)</b> .....	<b>2-28</b>
<b>Table 2-20: Power Measurement commands (TPS2000 with TPS2PWR1 only)</b> .....	<b>2-29</b>
<b>Table 2-21: RS-232 commands</b> .....	<b>2-32</b>

---

<b>Table 2-22: Save and Recall commands</b>	<b>2-33</b>
<b>Table 2-23: Status and Error commands</b>	<b>2-33</b>
<b>Table 2-24: Trigger commands</b>	<b>2-35</b>
<b>Table 2-25: Vertical commands</b>	<b>2-36</b>
<b>Table 2-26: Waveform commands</b>	<b>2-38</b>
<b>Table 2-27: Binary data ranges</b>	<b>2-41</b>
<b>Table 2-28: Vertical position ranges using a 1X probe</b>	<b>2-68</b>
<b>Table 2-29: DATA and WFMPre parameter settings</b>	<b>2-88</b>
<b>Table 2-30: Commands that generate an Operation Complete message</b>	<b>2-170</b>
<b>Table 2-31: Additional WFMPre commands</b>	<b>2-259</b>
<b>Table 3-1: SESR bit functions</b>	<b>3-2</b>
<b>Table 3-2: SBR bit functions</b>	<b>3-4</b>
<b>Table 3-3: No event messages</b>	<b>3-17</b>
<b>Table 3-4: Command error messages – CME bit 5</b>	<b>3-18</b>
<b>Table 3-5: Execution error messages – EXE bit 4</b>	<b>3-18</b>
<b>Table 3-6: Device error messages – DDE bit 3</b>	<b>3-22</b>
<b>Table 3-7: System event messages</b>	<b>3-22</b>
<b>Table 3-8: Execution warning messages – EXE Bit 4</b>	<b>3-23</b>
<b>Table 3-9: Internal warning messages</b>	<b>3-24</b>





# Preface

This programmer manual provides information on how to remotely operate your TDS200, TDS1000/TDS2000, TDS1000B/TDS2000B, or TPS2000 series oscilloscope. You can use communication ports and protocols, such as for the RS-232, the General Purpose Interface Bus (GPIB), or Universal Serial Bus (USB) standards, to remotely control and operate your oscilloscope.

## Related Documents

Each series of oscilloscopes has a different set of documentation.

### TPS2000 Series Manuals

For general operation, refer to the *TPS2000 Series Digital Storage Oscilloscope User Manual*, a standard accessory.

Language	TPS2000 series user manual part number
English	071-1441-XX
French	071-1442-XX
Italian	071-1443-XX
German	071-1444-XX
Spanish	071-1445-XX
Japanese	071-1446-XX
Portuguese	071-1447-XX
Simplified Chinese	071-1448-XX
Traditional Chinese	071-1449-XX
Korean	071-1450-XX
Russian	071-1451-XX

For information on the TPS2PWR1 Power Analysis Application, refer to the *TPS2PWR1 Power Analysis Application User Manual*, an optional accessory available in eleven languages.

<b>Language</b>	<b>TDS2PWR1 user manual part number</b>
English	071-1452-XX
French	071-1453-XX
Italian	071-1454-XX
German	071-1455-XX
Spanish	071-1456-XX
Japanese	071-1457-XX
Portuguese	071-1458-XX
Simplified Chinese	071-1459-XX
Traditional Chinese	071-1460-XX
Korean	071-1461-XX
Russian	071-1462-XX

### **TDS1000B and TDS2000B Series Manuals**

For general operation, refer to the *TDS1000B and TDS2000B Series Digital Storage Oscilloscope User Manual*, a standard accessory.

<b>Language</b>	<b>TDS1000B/TDS2000B user manual part number</b>
English	071-1817-XX
French	071-1818-XX
Italian	071-1819-XX
German	071-1820-XX
Spanish	071-1821-XX
Japanese	071-1822-XX
Portuguese	071-1823-XX
Simplified Chinese	071-1824-XX

---

Traditional Chinese	071-1825-XX
Korean	071-1826-XX
Russian	071-1827-XX

### **TDS1000 and TDS2000 Series Manuals**

For general operation, and information on the TDS2CMA Communications module, refer to the *TDS1000 and TDS2000 Series Digital Storage Oscilloscope User Manual*, a standard accessory.

<b>Language</b>	<b>TDS1000/TDS2000 user manual part number</b>
English	071-1064-XX
French	071-1065-XX
Italian	071-1066-XX
German	071-1067-XX
Spanish	071-1068-XX
Japanese	071-1069-XX
Portuguese	071-1070-XX
Simplified Chinese	071-1071-XX
Traditional Chinese	071-1072-XX
Korean	071-1073-XX
Russian	071-1074-XX

For information on the TDS2MEM Storage Memory and Communications module, refer to the *TDS2MEM Storage Memory and Communications Module User Manual (071-1262-XX)*, an optional accessory that includes all eleven languages.

### **TDS200 Series Manuals**

For general operation, refer to the *TDS200 Series Digital Real-Time Oscilloscope User Manual*, a standard accessory.

<b>Language</b>	<b>TDS200 series user manual part number</b>
English	071-0398-XX
French	071-0400-XX
Italian	071-0401-XX
German	071-0402-XX
Spanish	071-0399-XX
Japanese	071-0405-XX
Portuguese	071-0403-XX
Simplified Chinese	071-0406-XX
Traditional Chinese	071-0407-XX
Korean	071-0408-XX
Russian	071-0404-XX

For information on the TDS2CMA Communications module, or TDS2MM Math Measurements module, refer to the *TDS200 Series Extension Modules Instructions Manual (071-0409-XX)*, a standard accessory for extension modules in English only.

### **Service Manuals (English Only)**

For information on how to service your oscilloscope, refer to the appropriate manual from the following optional accessories:

- *TPS2000 Series Digital Storage Oscilloscopes Service Manual (071-1465-XX)*
- *TDS1000B and TDS2000B Series Digital Storage Oscilloscopes Service Manual (071-1828-XX)*
- *TDS1000 and TDS2000 Series Digital Storage Oscilloscopes Service Manual (071-1076-XX)*
- *TDS200 Series Digital Real-Time Oscilloscopes Service Manual (071-0492-XX)*

## **Conventions**

Refer to the *Command Syntax* section of the *Syntax and Commands* chapter (page 2-1) for information about command conventions.

This manual uses the following convention:

- References to the TDS2CMA Communications Extension Module include the TDS2CM and TDS2CMAX modules.
- Command descriptions list specific oscilloscopes series (and module) when commands are valid for only those products





# Getting Started





# Getting Started

This manual contains information on how to remotely control and operate your oscilloscope through communications protocol and commands.

---

**NOTE.** For TDS1000B and TDS2000B series, you need to install the PC Communications software from the CD that came with the oscilloscope on a PC before you connect the oscilloscope USB Device port to the PC. Refer to the TDS1000B and TDS2000B user manual for installation information.

---

For all products, you need to connect an appropriate cable between the communications port on your oscilloscope and your PC.

The next table describes where the communications port is located on an extension module or oscilloscope, and the function of the port.

**Table 1-1: Communications ports and functions**

Series	Port location	Port function
TDS200	TDS2CM, TDS2CMA, or TDS2CMAX Communications, TDS2MM Math	RS-232, Centronics, GPIB
TDS1000/ TDS2000*	TDS2CMA or TDS2CMAX TDS2MEM Storage Memory and Communications	RS-232, Centronics, GPIB RS-232, Centronics, CompactFlash
TDS1000B/ TDS2000B†	Back of oscilloscope	USB Device GPIB with a TEK-USB-488 adapter
TPS2000	Back of oscilloscope	RS-232, Centronics

\* TDS1001 and TDS2004 are not compatible with the TDS2MEM module.

† Install the PC Communications software from the CD that came with the oscilloscope first; refer to your TDS1000B and TDS2000B user manual for information on installing the software. After the software is installed, then connect the oscilloscope to a PC.

Refer to your oscilloscope user manual (Tektronix part numbers listed on page v) for information on how to install, test, and configure your oscilloscope and module.

---

**NOTE.** *The firmware for the TDS1000B, TDS2000B, and TPS2000 series oscilloscopes includes communications, math, and storage memory functions.*

---

**Table 1-2: Oscilloscope, extension module, and adapter compatibility**

Series	TDS2CM, TDS2CMA or TDS2CMAx	TDS2MM	TDS2MEM	TEK-USB-488
TDS200	Yes	Yes	No	No
TDS1000 or TDS2000	Yes	No	Yes*	No
TDS1000B or TDS2000B	No	No	No	Yes
TPS2000†	No	No	No	No

\* TDS1001 and TDS2004 models are not compatible with the TDS2MEM module.

† RS-232 included in the oscilloscope firmware.

---

**NOTE.** *If you use GPIB with the TDS1000B or TDS2000B series, you can set a unique GPIB address for the oscilloscope through the UTILITY ► Options ► GPIB Setup option.*

---



# **Syntax and Commands**



# Command Syntax

You can control the oscilloscope through the GPIB, RS-232, or USB interface using a large group of commands and queries.

This section describes the syntax these commands and queries use and the conventions the oscilloscope uses to process them. The commands and queries themselves are listed in the *Command Descriptions* section.

**Table 2-1: Oscilloscope communication protocol**

Model or option	GPIB	RS-232	USB
TDS2CM, TDS2CMA, TDS2CMAX	Yes	Yes	No
TDS2MM	Yes	Yes	No
TDS2MEM	No	Yes	No
TDS1000 or TDS2000	Yes*	Yes*†	No
TDS1000B or TDS2000B	Yes‡	No	Yes
TPS2000	No	Yes	No

\* **Function available with a TDS2CM, TDS2CMA, or TDS2CMAX module.**

† **Function available with a TDS2MEM module.**

‡ **Function available with a TEK-USB-488 adapter.**

You transmit commands to the oscilloscope using the enhanced American Standard Code for Information Interchange (ASCII) character encoding. *Appendix A* contains a chart of the ASCII character set.

The Backus Naur Form (BNF) notation is used in this manual to describe commands and queries. Table 2-2 lists the BNF notation.

**Table 2-2: BNF notation**

Symbol	Meaning
< >	Defined element
::=	Is defined as
	Exclusive OR
{ }	Group; one element is required
[ ]	Optional; can be omitted
...	Previous element(s) may be repeated
( )	Comment

## Command and Query Structure

Commands consist of set commands and query commands (usually simply called commands and queries). Commands change oscilloscope settings or perform a specific action. Queries cause the oscilloscope to return data and information about its status.

Most commands have both a set form and a query form. The query form of the command is the same as the set form except that it ends with a question mark. For example, the set command `ACQUIRE:MODE` has a query form `ACQUIRE:MODE?`. Not all commands have both a set and a query form; some commands are set only and some are query only.

A few commands do both a set and query action. For example, the `*CAL?` command runs a self-calibration program on the oscilloscope, then returns the result of the calibration.

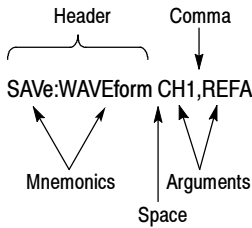
A command message is a command or query name, followed by any information the oscilloscope needs to execute the command or query. Command messages consist of five different element types.

Table 2-3 lists and describes the five element types.

**Table 2-3: Command message elements**

Symbol	Meaning
<Header>	The basic command name. If the header ends with a question mark, the command is a query. The header may begin with a colon (:) character; if the command is concatenated with other commands the beginning colon is required. The beginning colon can never be used with command headers beginning with a star (*).
<Mnemonic>	A header subfunction. Some command headers have only one mnemonic. If a command header has multiple mnemonics, they are always separated from each other by a colon (:) character.
<Argument>	A quantity, quality, restriction, or limit associated with the header. Not all commands have an argument, while other commands have multiple arguments. Arguments are separated from the header by a <Space>. Arguments are separated from each other by a <Comma>.
<Comma>	A single comma between arguments of multiple-argument commands. It may optionally have white space characters before and after the comma.
<Space>	A white space character between command header and argument. It may optionally consist of multiple white space characters.

Figure 2-1 shows the five command message elements.



**Figure 2-1: Command message elements**

### Commands

Commands cause the oscilloscope to perform a specific function or change one of its settings. Commands have the structure:

[ : ] <Header> [ <Space> <Argument> [ <Comma> <Argument> ] . . . ]

A command header is made up of one or more mnemonics arranged in a hierarchical or tree structure. The first mnemonic is the base or root of the tree and each subsequent mnemonic is a level or branch off of the previous one. Commands at a higher level in the tree may affect those at a lower level. The leading colon (:) always returns you to the base of the command tree.

### Queries

Queries cause the oscilloscope to return information about its status or settings. Queries have the structure:

[ : ] <Header> ?

[ : ] <Header> ? [ <Space> <Argument> [ <Comma> <Argument> ] . . . ]

You can specify a query command at any level within the command tree unless otherwise noted. These branch queries return information about all the mnemonics below the specified branch or level.



For example, `MEASUREMENT:MEAS<x>:UNITs?` returns the measurement units, while `MEASUREMENT:MEAS<x>:TYPE?` returns the measurement type selected for the measurement, and `MEASUREMENT:MEAS<x>?` returns all the measurement parameters for the specified measurement.

### Headers in Query Responses

You can control whether the oscilloscope returns headers as part of the query response. Use the `HEADER` command to control this feature. If header is on, the oscilloscope returns command headers as part of the query and formats the query response as a valid set command. When header is off, the oscilloscope sends back only the values in the response. This format can make it easier to parse and extract the information from the response.

Table 2-4 shows the difference in responses.

**Table 2-4: Comparison of Header Off and Header On responses**

Query	Header Off response	Header On response
<code>ACQUIRE:NUMAVG?</code>	64	<code>:ACQUIRE:NUMAVG 64</code>
<code>CHx1:COUPLing?</code>	DC	<code>:CH1:COUPLING DC</code>

### Clearing the Output Queue

To clear the output queue and reset the oscilloscope to accept a new command or query, send a Device Clear (DCL) from a GPIB host.

From an RS-232 host, send a break signal. The RS-232 interface responds by returning the ASCII string “DCL.”

From a USB host, send an `INITIATE_CLEAR` followed by a `CHECK_CLEAR_STATUS`. The USB interface responds to `CHECK_CLEAR_STATUS` with `STATUS_SUCCESS` when it is finished clearing the output queue.

## Command Entry

Follow these general rules when entering commands:

- Enter commands in upper or lower case.
- You can precede any command with white space characters. White space characters include any combination of the ASCII control characters 00 through 09 and 0B through 20 hexadecimal (0 through 9 and 11 through 32 decimal).
- The oscilloscope ignores commands that consists of just a combination of white space characters and line feeds.

### Abbreviating Commands

You can abbreviate many oscilloscope commands. These abbreviations are shown in capital letters in the command listing in the *Command Groups* section on page 2-15 and *Command Descriptions* section on page 2-45. For example, the command ACQuire:NUMAVg can be entered simply as ACQ:NUMA or acq:numa.

If you use the HEADer command to have command headers included as part of query responses, you can also control whether the returned headers are abbreviated or are full-length using the VERBose command.

### Concatenating Commands

You can concatenate any combination of set commands and queries using a semicolon (;). The oscilloscope executes concatenated commands in the order received. When concatenating commands and queries you must follow these rules:

- Completely different headers must be separated by both a semicolon and by the beginning colon on all commands but the first. For example, the commands TRIGger:MODE NORMAl and ACQuire:NUMAVg 16 can be concatenated into a single command:

```
TRIGger:MODE NORMAl;:ACQuire:NUMAVg 16
```

- If concatenated commands have headers that differ by only the last mnemonic, you can abbreviate the second command and eliminate the beginning colon. For example, the commands `ACQUIRE:MODE AVERAGE` and `ACQUIRE:NUMAVG 16` could be concatenated into a single command:

```
ACQUIRE:MODE AVERAGE; NUMAVG 16
```

The longer version works equally well:

```
ACQUIRE:MODE AVERAGE;:ACQUIRE:NUMAVG 16
```

- Never precede a star (\*) command with a colon or semicolon:

```
ACQUIRE:MODE AVERAGE;*TRG
```

The oscilloscope processes commands that follow the star command as if the star command was not there, so:

```
ACQUIRE:MODE AVERAGE;*TRG;NUMAVG 16
```

sets the acquisition mode to average and sets acquisition averaging to 16. The `*TRG` command is ignored.

- When you concatenate queries, the responses to all queries are combined into a single response message. For example, if channel 1 coupling is set to DC and the bandwidth is set to 20 MHz, the concatenated query:

```
CH1:COUPLing?;BANDwidth?
```

returns `:CH1:COUPLING DC;:CH1:BANDWIDTH ON` if header is on, or `DC;ON` if header is off.

- You can concatenate set commands and queries in the same message. For example:

```
ACQUIRE:MODE AVERAGE;NUMAVG?;STATE?
```

is a valid message that sets the acquisition mode to average, queries the number of acquisitions for averaging, and then queries the acquisition state. The oscilloscope executes concatenated commands and queries in the order it receives them.

- Any query that returns arbitrary data, such as ID?, must be the last query when part of a concatenated command. If the query is not last, the oscilloscope generates event message 440.

Here are some INVALID concatenation examples:

- CH1:COUPling DC;ACQuire:NUMAVg 16  
(missing colon before ACQuire)
- CH1:COUPling DC;;BANDwidth ON  
(invalid colon before BANDwidth)
- CH1:COUPling DC;:\*TRG  
(invalid colon before a star (\*) command)
- HORizontal:MAIn:POSition 0;MAIn:SCAlE 1E-13  
(levels of mnemonics are different—either remove the second occurrence of MAIn:, or put :HORizontal: in front of MAIn:SCAlE)

### Message Terminators

This manual uses the term <EOM> (End of message) to represent a message terminator.

**GPIO End of Message (EOM) Terminators.** GPIO EOM terminators can be the END message (EOI asserted concurrently with the last data byte), the ASCII code for line feed (LF) sent as the last data byte, or both. The oscilloscope always terminates messages with LF and EOI. White space is allowed before the terminator; for example, CR LF is acceptable.

**USB End of Message (EOM) Terminators.** The EOM bit must be set in the USB header of the last transfer of a command message. See the USB Test and Measurement Class Specification (USBTMC) section 3.2.1 for details. The oscilloscope terminates messages by setting the EOM bit in the USB header of the last transfer of a message to the host (USBTMC Specification section 3.3.1), and by terminating messages with a LF. White space is allowed before the terminator; for example, CR LF is acceptable.

**RS-232 End of Message Terminators.** RS-232 EOM terminators can be a CR (carriage return), LF (line feed), CRLF (carriage return followed by a line feed), or LF CR (line feed followed by a carriage return). When receiving, the oscilloscope accepts all four combinations as valid input message terminators regardless of the currently selected terminator. When a combination of multiple characters is selected (CRLF or LF CR), the oscilloscope interprets the first character as the terminator and the second character as a null command.

## Constructed Mnemonics

Some header mnemonics specify one of a range of mnemonics. For example, a channel mnemonic could be CH2. You can use these mnemonics in the command just as you do any other mnemonic. For example, there is a CH1:VOLts command and there is also a CH2:VOLts command. In the command descriptions, this list of choices is abbreviated CH<x>.

### Channel Mnemonics

Commands specify the channel to use as a mnemonic in the header.

Symbol	Meaning
CH<x>	2-channel models: A channel specifier; <x> is 1 or 2. 4-channel models: A channel specifier; <x> is 1, 2, 3, or 4.

### Reference Waveform Mnemonics

Commands can specify the reference waveform to use as a mnemonic in the header.

Symbol	Meaning
REF<x>	2-channel models: A reference waveform specifier; <x> is A or B. 4-channel models: A reference waveform specifier; <x> is A, B, C, or D.

### Waveform Mnemonics

In some commands you can specify a waveform without regard to its type: channel waveform, math waveform, or reference waveform. The “y” is the same as “x” in Reference Waveform Mnemonics.

Symbol	Meaning
<wfm>	Can be CH<x>, MATH, or REF<y>

### Cursor Position Mnemonic

When the oscilloscope displays cursors, commands may specify which cursor of the pair to use.

Symbol	Meaning
POSITION<x>	A cursor selector; <x> is 1 or 2.

### Measurement Specifier Mnemonics

Commands can specify which measurement to set or query as a mnemonic in the header. The oscilloscope can display up to four (TDS200) or five (TDS1000, TDS2000, TDS1000B, TDS2000B, and TPS2000) automated measurements.

Symbol	Meaning
MEAS<x>	A measurement specifier; <x> is 1-4 (TDS200) or 1-5 (TDS1000, TDS2000, TDS1000B, TDS2000B, and TPS2000).

## Argument Types

A command argument can be in one of several forms. The individual descriptions of each command tell which argument types to use with that command.

### Numeric Arguments

Many oscilloscope commands require numeric arguments. Table 2-5 lists the three types of numeric argument.

**Table 2-5: Types of numeric arguments**

Symbol	Meaning
<NR1>	Signed integer value
<NR2>	Floating point value without an exponent
<NR3>	Floating point value with an exponent

The syntax shown is the data format that the oscilloscope returns in response to a query. This format is also the preferred format when sending a command to the oscilloscope.

When you enter an incorrect numeric argument, the oscilloscope automatically forces the numeric argument to a correct value. Table 2-6 lists how the oscilloscope handles incorrect numeric arguments.

**Table 2-6: Oscilloscope handling of incorrect numeric arguments**

<b>Argument value</b>	<b>Oscilloscope response</b>
Numeric argument is less than lowest correct value for that command	Sets the specified command to the lowest correct value and executes the command
Numeric argument is greater than the highest correct value for that command	Sets the specified command to the highest correct value and executes the command
Numeric value is between two correct values	Rounds the entered value to the nearest correct value and executes the command

**Quoted String Arguments**

Some commands accept or return data in the form of a quoted string, which is simply a group of ASCII characters enclosed by single quotes (') or double quotes ("). For example:

`"this is a quoted string"`

<b>Symbol</b>	<b>Meaning</b>
<QString>	Quoted string of ASCII text

Follow these rules when you use quoted strings:

1. A quoted string can include any character defined in the 7-bit ASCII character set. Refer to *Appendix A*.
2. Use the same type of quote character to open and close the string:

`"this is a valid string"`

3. You can mix quotation marks within a string as long as you follow the previous rule:

`"this is an 'acceptable' string"`



4. You can include a quote character within a string simply by repeating the quote. For example,
 

```
"here is a "" mark"
```
5. Strings can have upper or lower case characters.
6. If you use a GPIB network, you cannot terminate a quoted string with the END message before the closing delimiter.
7. A carriage return or line feed embedded in a quoted string does not terminate the string, but is treated as just another character in the string.
8. The maximum length of a quoted string returned from a query is 1000 characters.

Here are some examples of invalid strings:

```
"Invalid string argument"
(quotes are not of the same type)

"test<EOI>"
(termination character is embedded in the string)
```

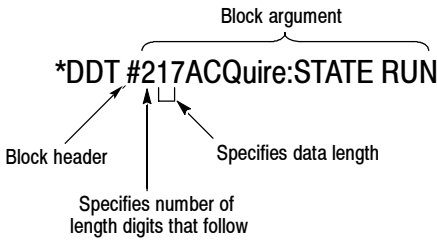
### Block Arguments

Several oscilloscope commands use a block argument form. Table 2-7 lists and describes each part of a block argument.

**Table 2-7: Parts of a block argument**

Symbol	Meaning
<NZDig>	A non-zero digit character, in the range 1–9 Specifies the number of <Dig> elements that follow
<Dig>	A digit character, in the range 0–9
<DChar>	A character with the hex equivalent of 00 through FF hexadecimal (0 through 255 decimal)
<Block>	A block of data bytes, defined as: <pre>&lt;Block&gt; ::= { #&lt;NZDig&gt;&lt;Dig&gt;[&lt;Dig&gt;...][&lt;DChar&gt;...]   #0[&lt;DChar&gt;...]&lt;terminator&gt; }</pre>

Figure 2-2 shows an example of a block argument.



**Figure 2-2: Block Argument example**

<NZDig> specifies the number of <Dig> elements that follow. Taken together, the <Dig> elements form a decimal integer that specifies how many <DChar> elements follow.

#0 means that the <Block> is an indefinite length block. The <terminator> ends the block. You should not use indefinite length blocks with RS-232, because there is no way to include a <terminator> character as a <DChar> character.

The first occurrence of a <terminator> character signals the end of the block and any subsequent <DChar> characters will be interpreted as a syntax error. With the GPIB, the EOI line signals the last byte. With the USB, the EOM bit signals the last byte.

# Command Groups

This section lists the commands organized by functional group. The *Command Descriptions* section, starting on page 2-45, lists all commands alphabetically.

The oscilloscope GPIB, USB, and RS-232 interfaces conform to Tektronix standard codes and formats except where noted. The GPIB interface also conforms to IEEE Std 488.2-1987 except where noted. The USB interface also conforms to USB Test and Measurement Class, Subclass USB488 Specification, except where noted.

## Acquisition Commands

Acquisition commands affect the acquisition of waveforms. These commands control mode, averaging, and single-waveform acquisition. Table 2-8 lists and describes Acquisition commands.

**Table 2-8: Acquisition commands**

Header	Description
ACQuire?	Return acquisition parameters
ACQuire:MODe	Set or query the acquisition mode
ACQuire:NUMACq?	Return the # of acquisitions obtained
ACQuire:NUMAVg	Set or query the number of acquisitions for average
ACQuire:STATE	Start or stop the acquisition system
ACQuire:STOPAfter	Set or query the acquisition control

## Calibration and Diagnostic Commands

Calibration and Diagnostic commands let you initiate the oscilloscope self-calibration routines and examine the results of diagnostic tests. Table 2-9 lists and describes Calibration and Diagnostic commands.

**Table 2-9: Calibration and Diagnostic commands**

Header	Description
*CAL?	Perform an internal self-calibration and return result status
CALibrate:ABOrt	Stop an in-progress factory calibration
CALibrate:CONTINUE	Perform the next step in the factory calibration sequence
CALibrate:FACtory	Initialize the factory calibration sequence
CALibrate:INTERNAL	Perform an internal self-calibration
CALibrate:STATUS?	Return PASS or FAIL status of the last self- or factory-calibration operation
DIAG:RESUlt:FLAG?	Return diagnostic tests status
DIAG:RESUlt:LOG?	Return diagnostic test sequence results
ERRLOG:FIRST?	Returns first entry from error log
ERRLOG:NEXT?	Returns next entry from error log

## Cursor Commands

Cursor commands provide control over the oscilloscope cursor display and readout. Table 2-10 lists and describes Cursor commands.

**Table 2-10: Cursor commands**

Header	Description
CURSor?	Return cursor settings
CURSor:FUNction	Set or query the cursors on or off; select cursor type
CURSor:HBArs?	Return horizontal bar settings
CURSor:HBArs:DELTA?	Return vertical distance between horizontal bar cursors
CURSor:HBArs:POSITION<x>	Set or query the position of a horizontal bar cursor
CURSor:HBArs:UNIts?	Query vertical scale units
CURSor:SElect:SOUrce	Select waveform
CURSor:VBArS?	Return vertical bar settings
CURSor:VBArS:DELTA?	Return horizontal distance between cursors
CURSor:VBArS:HDELTA? (TDS1000B, TDS2000B, and TPS2000 only)	Return horizontal distance between cursors. Same as CURSor:VBArS:DELTA?
CURSor:VBArS:HPOS<x>? (TDS1000B, TDS2000B, and TPS2000 only)	Return the amplitude of the waveform at the cursor position
CURSor:VBArS:POSITION<x>	Set or query the position of a vertical bar cursor
CURSor:VBArS:SLOPE? (TPS2000 with Power Analysis Module only)	Return the value of the on-screen dV/dt or dI/dt measurement

**Table 2-10: Cursor commands (Cont.)**

Header	Description
CURSor:VBArS:UNIts	Set or query the vertical cursors to time or frequency
CURSor:VBArS:VDELTA? (TDS1000B, TDS2000B, and TPS2000 only)	Return the vertical distance between cursors

## Display Commands

Display commands let you change the graticule style, displayed contrast, and alter other display attributes. Table 2-11 lists and describes Display commands.

**Table 2-11: Display commands**

Header	Description
DISplay?	Return display settings
DISplay:BRIGHTness (TPS2000 only)	Set or query the LCD display brightness
DISplay:CONTRast	Set or query the LCD display contrast
DISplay:FORMat	Set or query the YT or XY display
DISplay:INVert (not available on the TDS200, accepted as a legal command on the TDS2000B and TPS2000 but has no effect on these models)	Set or query the normal or inverted monochrome display
DISplay:PERsistence	Set or query the accumulate time
DISplay:STyle	Set or query the waveform display style

## File System Commands

### (TDS2MEM Module, TDS1000B, TDS2000B, and TPS2000 Only)

File system commands perform file management tasks on the CompactFlash (CF) card of TPS2000 oscilloscopes, and TDS models with a TDS2MEM module; and on USB flash drives of TDS1000B and TDS2000B oscilloscopes. Table 2-12 lists these commands.

**Table 2-12: File System commands**

Header	Description
FILESystem?	Return the current working directory (CWD) and CF card or USB flash drive free space values
FILESystem:CWD	Set or query the current CF card or USB flash drive directory
FILESystem:DELEte	Delete specified file on the CF card or USB flash drive
FILESystem:DIR?	Return a list of files in current CF card or USB flash drive directory
FILESystem:FORMat	Format the CF card or USB flash drive
FILESystem:FREESpace?	Return free space on the CF card or USB flash drive
FILESystem:MKDir	Create a new directory on the CF card or USB flash drive
FILESystem:REName	Assign new name to specified file on the CF card or USB flash drive
FILESystem:RMDir	Delete specified directory

### File System Conventions

Use the following conventions when specifying file paths and file names::

- The default folder (directory) is A:\.
- File and folder names have a maximum of 11 characters; eight characters, followed by a period, followed by up to three characters. This format is referred to as 8.3 naming.
- Wild card characters (\*, %, ?) are not valid characters in file or path names.
- Lists the Windows-generated short file and folder names for long file or folder names created on PC Windows operating systems.

## Hard Copy Commands

The hard copy commands let you control the format of hard copy output, and the starting and stopping of hard copies. Table 2-13 lists and describes Hard Copy commands. :

---

**NOTE.** *TDS1000B and TDS2000B oscilloscopes include PictBridge commands to provide additional control of the hard copy format. Refer to page 2-27 for information on the PictBridge commands.*

---

**Table 2-13: Hard Copy commands**

Header	Description
HARDCopy	Start or terminate hard copy
HARDCopy:BUTTON (TDS2MEM, TDS1000B, TDS2000B, and TPS2000 only)	Set or query the hard copy button function  For TDS1000B, TDS2000B, and TPS2000, set or query the PRINT button
HARDCopy:FORMat	Set or query the hard copy output format



**Table 2-13: Hard Copy commands (Cont.)**

Header	Description
HARDCopy:INKSaver (TDS1000, TDS2000, TDS2000B, and TPS2000 only)	Set or query the hard copy ink saver option
HARDCopy:LAYout	Set or query the hard copy orientation
HARDCopy:PORT	Set or query the hard copy port for output: RS232, GPIB, Centronics, or USB

## Horizontal Commands

Horizontal commands control the time bases of the oscilloscope. You can set the position and time per division of both the main and window time bases. You can substitute SECdiv for SCALE in all appropriate horizontal commands. This provides program compatibility with previous Tektronix digitizing oscilloscopes. Table 2-14 lists and describes Horizontal commands.

**Table 2-14: Horizontal commands**

Header	Description
HORizontal?	Return horizontal settings
HORizontal:DELay?	Return all settings for the window time base
HORizontal:DELay:POSition	Position window
HORizontal:DELay:SCALE	Set or query the window time base time/division
HORizontal:DELay:SECdiv	Same as HORizontal:DELay:SCALE
HORizontal:MAIn?	Return the main time base time/division
HORizontal:MAIn:POSition	Set or query the main time base trigger point

**Table 2-14: Horizontal commands (Cont.)**

Header	Description
HORizontal:MAIn:SCAle	Set or query the main time base time/division
HORizontal:MAIn:SECdiv	Same as HORizontal:MAIn:SCAle
HORizontal:POSition	Set or query the position of waveform to display
HORizontal:RECOrdlength	Return waveform record length
HORizontal:SCAle	Same as HORizontal:MAIn:SCAle
HORizontal:SECdiv	Same as HORizontal:MAIn:SCAle
HORizontal:VIEW	Select view

## Math Commands

Math commands provide math function definition. Table 2-15 lists and describes Math commands.

**Table 2-15: Math commands**

Header	Description
MATH?	Query the definition for the math waveform
MATH:DEFINE	Set or query the math waveform definition
MATH:FFT?	Return all math FFT parameters
MATH:FFT:HORizontal:POSition (TDS200 with a TDS2MM module, TDS1000, TDS2000, TDS1000B, TDS2000B, and TPS2000 only)	Set or query the FFT horizontal display position

**Table 2-15: Math commands (Cont.)**

Header	Description
MATH:FFT:HORizontal:SCAle (TDS200 with a TDS2MM module, TDS1000, TDS2000, TDS1000B, TDS2000B, and TPS2000 only)	Set or query the FFT horizontal zoom factor
MATH:FFT:VERTical:POSition (TDS200 with a TDS2MM module, TDS1000, TDS2000, TDS1000B, TDS2000B, and TPS2000 only)	Set or query the FFT vertical display position
MATH:FFT:VERTical:SCAle (TDS200 with a TDS2MM module, TDS1000, TDS2000, TDS1000B, TDS2000B, and TPS2000 only)	Set or query the FFT vertical zoom factor
MATH:VERTical?	Return all math vertical waveform parameters
MATH:VERTical:POSition (TDS1000B, TDS2000B, and TPS2000 only)	Set or query the math waveform display position
MATH:VERTical:SCAle (TDS1000B, TDS2000B, and TPS2000 only)	Set or query the math waveform display scale

## Measurement Commands

Measurement commands control the automated measurement system. The oscilloscope can display up to four (TDS200) or five (TDS1000, TDS2000, TDS1000B, TDS2000B, and TPS2000) automated measurements. In the commands, these measurement readouts are named MEAS<x>, where <x> can be 1, 2, 3, or 4 (or 5 for TDS1000, TDS2000, TDS1000B, TDS2000B, and TPS2000).

The best method for taking measurements over the computer interface is to use the MEASUREMENT:IMMED commands and queries. The immediate measurement has no front-panel equivalent, and the oscilloscope never displays immediate measurements.

Because they are computed only when they are requested, immediate measurements slow the waveform update rate less than displayed measurements.

Use the VALue? query to obtain measurement results of either displayed or immediate measurements.

Several measurement commands set and query measurement parameters. You can assign some parameters, such as waveform sources, differently for each measurement readout.

Table 2-16 lists and describes Measurement commands.

**Table 2-16: Measurement commands**

<b>Header</b>	<b>Description</b>
MEASUrement?	Return all measurement parameters
MEASUrement:IMMed?	Return immediate measurement parameters
MEASUrement:IMMed:SOUrce1	Set or query the channel for immediate measurement
MEASUrement:IMMed:SOUrce2	Set or query the channel for two-source immediate measurements (TPS2000 with Power Analysis Module only)
MEASUrement:IMMed:TYPe	Set or query the immediate measurement to be taken
MEASUrement:IMMed:UNIts?	Return the immediate measurement units
MEASUrement:IMMed:VALue?	Return the immediate measurement result
MEASUrement:MEAS<x>?	Return parameters on the periodic measurement
MEASUrement:MEAS<x>:SOUrce	Set or query the channel to take the periodic measurement from
MEASUrement:MEAS<x>:TYPe	Set or query the type of periodic measurement to be taken

**Table 2-16: Measurement commands (Cont.)**

Header	Description
MEASUrement:MEAS<x>:UNIts?	Return the units for periodic measurement
MEASUrement:MEAS<x>:VALue?	Return periodic measurement results

## Miscellaneous Commands

Miscellaneous commands are a group of commands that do not fit into any other category.

Several commands and queries are common to all 488.2–1987 devices on the GPIB or USB bus, and the device on the RS-232 interface. These commands and queries are defined by IEEE Std. 488.2–1987 and Tektronix Standard Codes and Formats 1989 and begin with an asterisk (\*) character. Table 2-17 lists and describes Miscellaneous commands.

**Table 2-17: Miscellaneous commands**

Header	Description
AUTORange? (TDS1000B, TDS2000B, and TPS2000 only)	Return all autorange parameters
AUTORange:SETTings (TDS1000B, TDS2000B, and TPS2000 only)	Set or query the which parameters autorange can adjust
AUTORange:STATE (TDS1000B, TDS2000B, and TPS2000 only)	Set or query the autorange to on or off
AUTOSet	Automatic oscilloscope setup
AUTOSet: ENABLE (TDS1000B and TDS2000B only)	Allows educators to disable or enable the Autorange and Autoset functions.*

**Table 2-17: Miscellaneous commands (Cont.)**

<b>Header</b>	<b>Description</b>
AUTOSet:SIGNAL? (TDS1000, TDS2000, TDS1000B, TDS2000B, and TPS2000 only)	Return the type of signal found by autoset
AUTOSet:VIEW (TDS1000, TDS2000, TDS1000B, TDS2000B, and TPS2000 only)	Set or query the Autoset view
DATE (TDS2MEM, TDS1000B, TDS2000B, and TPS2000 only)	Set or query the date value
*DDT	Set or query the group execute trigger (GET)
FACTory	Reset to factory default
HDR	Same as HEADer
HEADer	Set or query the command header
ID?	Return identification information
*IDN?	Return identification information
LANGUAGE	Set or query the language for display messages
LOCK	Lock front panel (local lockout)
*LRN?	Query device settings
REM	No action; remark only
*RST	Reset
SET?	Same as *LRN?
TIME (TDS2MEM, TDS1000B, TDS2000B, and TPS2000 only)	Set or query the time value
*TRG	Perform Group Execute Trigger (GET)
*TST?	Return self-test results

**Table 2-17: Miscellaneous commands (Cont.)**

Header	Description
UNLock	Unlock front panel (local lockout)
VERBose	Return full command name or minimum spellings with query

\* **AUTOSet: ENABLE can be manually set from the Service Diag menu. To access the service diagnostics menu, refer to the TDS1000B and TDS2000B series service manual.**

## PictBridge Commands (TDS1000B and TDS2000B Only)

The PictBridge commands let you control the format of the hard copy on the PictBridge compatible printer. Table 2-13 lists and describes PictBridge commands. :

---

**NOTE.** *The HARDCopy:BUTTON, HARDCopy:INKSaver, and HARDCopy:LAYOUT commands apply to the TDS1000B and TDS2000B oscilloscopes. Refer to page 2-20 for more information.*

---

**Table 2-18: PictBridge commands**

Header	Description
PICTBridge:DEF	Set the next six options to default
PICTBridge:PAPERSIZE	Set or query the paper size
PICTBridge:IMAGESIZE	Set or query the image size
PICTBridge:PAPERTYPE	Set or query the paper type
PICTBridge:PRINTQUAL	Set or query the print quality
PICTBridge:DATEPRINT	Set or query the date print
PICTBridge:IDPRINT	Set or query the ID print

## Power and Battery-Related Commands (TPS2000 Only)

Power and Battery-Related commands provide battery management functions to a TPS2000 oscilloscope.

Table 2-19 lists and describes the Power and Battery-Related commands.

**Table 2-19: Power and Battery-Related commands (TPS2000 only)**

Header	Description
POWer?	Return all power parameters
POWer:AC:PRESENT?	Return whether the oscilloscope is being powered by battery or AC
POWer:BATTERY<x>:GASgauge?	Return the charge remaining in battery x
POWer:BATTERY<x>:STATUS?	Return status for battery x
POWer:BATTERIES:TIME?	Return the time remaining in both batteries
POWer:BUTTONLIGHT	Turn the lighted front-panel buttons on and off

## Power Measurement (TPS2000 with TPS2PWR1 Power Analysis Application Key Installed Only)

Power Measurement commands provide power measurements to a TPS2000 oscilloscope with the TPS2PWR1 Power Analysis application software key installed.

Table 2-20 lists and describes Power Measurement commands.



**Table 2-20: Power Measurement commands (TPS2000 with TPS2PWR1 only)**

Header	Description
HARmonics?	Return all harmonic parameters
HARmonics:ENABle	Set or query the harmonics menu on and off
HARmonics:FREquency?	Return the frequency of the selected harmonic
HARmonics:HRMS?	Return the frequency of the selected harmonic
HARmonics:PERCent?	Return the amplitude of the selected harmonic as a percent of the fundamental
HARmonics:PHAsE?	Return the phase of the selected harmonic, in degrees, relative to the fundamental
HARmonics:RMS?	Return the amplitude of the harmonics source in RMS units. This may be $V_{rms}$ or $I_{rms}$ depending on the type of source waveform
HARmonics:SAVe	Set the file name and path to save harmonic data
HARmonics:SElect	Set or query the selected harmonic
HARmonics:SEtUp	Set or query the operating mode for harmonics measurements commands
HARmonics:SHOW	Set or query the specified harmonics
HARmonics:SOUrce	Set or query the source in the harmonics menu
HARmonics:THDF?	Query the total harmonic distortion of the waveform as percent of fundamental
HARmonics:THDR?	Query the total harmonic distortion of the waveform as % of input $V_{rms}$
POWerANALYSIS:SOUrces	Sets or query the power analysis sources
SWLoss?	Return switching loss measurement settings
SWLoss:ACQuire	Set or query the type of acquisition to use for Switching Loss commands
SWLoss:AVerage:CONDUCTION?	Return the power loss of the device under test when the device is conducting

**Table 2-20: Power Measurement commands (TPS2000 with TPS2PWR1 only) (Cont.)**

Header	Description
SWLoss:AVeAge:N?	Return the number of measurements used to calculate the averaged value for switching loss commands
SWLoss:AVeAge:TOTAL?	Return the sum of the turn-on, turn-off, and conduction switching losses for an Average measurement
SWLoss:AVeAge:TURNOFF?	Return the power loss of the device under test when the device is transitioning from on to off
SWLoss:AVeAge:TURNON?	Return the power loss of the device under test when the device is transitioning from off to on
SWLoss:ENABLE	Set or query switching loss measurements on or off
SWLoss:LEVELS	Return oscilloscope Switching Loss Measurement settings to factory default (SWLoss:TONSTART, SWLoss:TONENT, SWLoss:TOFFSTART, SWLoss:TOFFEND only)
SWLoss:LOG:CONDUCTION?	Return the Conduction Loss for a switching loss measurement
SWLoss:LOG:INDEX	Set or query which measurement to return for a SWLoss:LOG command
SWLoss:LOG:TOTAL?	Return the Total Loss for a switching loss measurement
SWLoss:LOG:TURNOFF?	Return the Turn-Off Loss for a switching loss measurement
SWLoss:LOG:TURNON?	Return the Turn-On Loss for a switching loss measurement
SWLoss:SAVE	Saves the Switching Loss Measurements
SWLoss:SOURCES	Set or query the input sources for Switching Loss Measurements
SWLoss:STOPAfter	Set or query the number of acquisitions used for Switching Loss Measurements

**Table 2-20: Power Measurement commands (TPS2000 with TPS2PWR1 only) (Cont.)**

Header	Description
SWLoss:TOFFEND	Set or query a level on the first falling edge of the current waveform that occurs after the turn-off starts
SWLoss:TONEND	Set or query a level on the first rising edge of the voltage waveform that occurs after the first falling edge
SWLoss:TOFFSTART	Set or query a level on the falling edge of the voltage waveform that defines where the beginning of the switching loss measurement ends
SWLoss:TONSTART	Set or query a level on the falling edge of the voltage waveform that defines where the switching loss measurement begins
SWLoss:UNIts	Set or query the units for Switching Loss Measurement
SWLoss:VALue:CONDUCTION?	Return the power loss of the device under test when the device is conducting in its on state
SWLoss:VALue:TOTAL?	Return the sum of the turn-on, turn-off, and conduction switching losses
SWLoss:VALue:TURNOFF?	Return the power loss of the device under test when the device is transitioning between its on and off state
SWLoss:VALue:TURNON?	Return the power loss of the device under test when the device is transitioning between its off and on state display
SWLoss:VSAT	Set or query the saturation voltage for the device under test
WAVEFORMANALYSIS:SOURce	Set or query the source for Waveform Analysis commands

## RS-232 Commands (TDS200, TDS1000, TDS2000, and TPS2000 Only)

RS-232 commands allow you to set or query the parameters that control the RS-232 port. Table 2-21 lists and describes RS-232 commands.

**Table 2-21: RS-232 commands**

Header	Description
RS232?	Query RS232 parameters
RS232:BAUd	Set or query the baud rate
RS232:HARDFlagging	Set or query the hard flagging
RS232:PARity	Set or query the parity type
RS232:SOFTFlagging	Set or query the soft flagging
RS232:TRANsmit:TERMinator	Set or query the end-of-line terminator

Refer to Table 2-1 on page 2-1 for a list of products that are compatible with RS-232.

## Save and Recall Commands

Save and Recall commands allow you to store and retrieve internal waveforms and settings. When you “save a setting,” you save most of the settings of the oscilloscope. When you then “recall a setting,” the oscilloscope restores itself to the state it was in when you saved that setting.

To display a saved waveform, use the SElect:<wfm> command described on page 2-197. Table 2-22 lists and describes Save and Recall commands.

**Table 2-22: Save and Recall commands**

Header	Description
*RCL	Recall setting
RECALL:SETUp	Recall saved oscilloscope setting
RECALL:WAVEform	Recall saved waveform
*SAV	Save oscilloscope setting
SAVe:IMAge (TDS2MEM, TDS1000B, TDS2000B, and TPS2000 only)	Save screen image to file
SAVe:IMAge:FILEFormat (TDS2MEM, TDS1000B, TDS2000B, and TPS2000 only)	Set screen image file format
SAVe:SETUp	Save oscilloscope setting
SAVe:WAVEform	Save waveform

## Status and Error Commands

Status and error commands let you determine the status of the oscilloscope and control events.

Several commands and queries are common to all devices on the GPIB or USB bus. These commands and queries are defined by IEEE Std. 488.2–1987 and Tek Standard Codes and Formats 1989, and begin with an asterisk (\*) character. Table 2-23 lists and describes Status and Error commands.

**Table 2-23: Status and Error commands**

Header	Description
ALLEv?	Return all events
BUSY?	Return oscilloscope busy status
*CLS	Clear status

**Table 2-23: Status and Error commands (Cont.)**

<b>Header</b>	<b>Description</b>
DESE	Set or query the device event status enable
*ESE	Set or query the standard event status enable
*ESR?	Return standard event status register; this is the usual way to determine whether a set command executed without error
EVENT?	Return event code
EVMsg?	Return event message
EVQty?	Return number of events in queue
*OPC	Set or query the operation complete
*PSC	Set or query the power-on status clear
*SRE	Set or query the service request enable
*STB?	Read status byte
*WAI	Wait to continue

## Trigger Commands

Trigger commands control all aspects of oscilloscope triggering.

The three types of triggers are edge, pulse width, and video. Edge triggering is the default type. Edge triggering lets you acquire a waveform when the signal passes through a voltage level of your choosing. Pulse width triggering lets you trigger on normal or aberrant pulses. Video triggering adds the capability of triggering on video fields and lines. Table 2-24 lists and describes Trigger commands.

**Table 2-24: Trigger commands**

Header	Description
TRIGger	Force trigger event
TRIGger:MAIn	Set main trigger level to 50%; Query returns main trigger settings
TRIGger:MAIn:EDGE?	Return edge trigger settings
TRIGger:MAIn:EDGE:COUPLing	Set or query the edge trigger coupling
TRIGger:MAIn:EDGE:SLOpe	Set or query the edge trigger slope
TRIGger:MAIn:EDGE:SOUrce	Set or query the edge trigger source
TRIGger:MAIn:FREQUency? (TDS1000, TDS2000, TDS1000B, TDS2000B, and TPS2000 only)	Return trigger frequency value
TRIGger:MAIn:HOLDOff?	Return trigger holdoff value
TRIGger:MAIn:HOLDOff:VALue	Set or query the trigger holdoff value
TRIGger:MAIn:LEVel	Set or query the trigger level
TRIGger:MAIn:MODE	Set or query the trigger mode
TRIGger:MAIn:PULse? (TDS1000, TDS2000, TDS1000B, TDS2000B, and TPS2000 only)	Return pulse trigger settings
TRIGger:MAIn:PULse:SOUrce (TDS1000, TDS2000, TDS1000B, TDS2000B, and TPS2000 only)	Set or query the pulse trigger source
TRIGger:MAIn:PULse:WIDth? (TDS1000, TDS2000, TDS1000B, TDS2000B, and TPS2000 only)	Return pulse trigger width parameters
TRIGger:MAIn:PULse:WIDth:POLarity (TDS1000, TDS2000, TDS1000B, TDS2000B, and TPS2000 only)	Set or query the pulse trigger polarity
TRIGger:MAIn:PULse:WIDth:WHEN	Set or query the pulse trigger when
TRIGger:MAIn:PULse:WIDth:WIDth	Set or query the pulse trigger width

**Table 2-24: Trigger commands (Cont.)**

Header	Description
TRIGger:MAIn:TYPe	Set or query the main trigger type
TRIGger:MAIn:VIDeo?	Query video trigger parameters
TRIGger:MAIn:VIDeo:LINE (TDS1000, TDS2000, TDS1000B, TDS2000B, and TPS2000 only)	Set or query the video trigger line
TRIGger:MAIn:VIDeo:POLarity	Set or query the video trigger polarity
TRIGger:MAIn:VIDeo:SOURce	Set or query the video trigger source
TRIGger:MAIn:VIDeo:STANdard (TDS1000, TDS2000, TDS1000B, TDS2000B, and TPS2000 only)	Set or query the video trigger standard
TRIGger:MAIn:VIDeo:SYNC	Set or query the video trigger sync
TRIGger:STATE?	Return trigger system status

## Vertical Commands

Vertical commands control the attributes of the channels. The SElect:<wfm> command also displays a specified waveform or removes it from the display. Table 2-25 lists and describes Vertical commands.

**Table 2-25: Vertical commands**

Header	Description
CH<x>?	Return vertical parameters
CH<x>:BANdwidth	Set or query the channel bandwidth
CH<x>:COUPling	Set or query the channel coupling
CH<x>:CURRENTPRObe (TDS1000B, TDS2000B, and TPS2000 only)	Set or query the scale settings for current probes



**Table 2-25: Vertical commands (Cont.)**

Header	Description
CH<x>:INVert (All oscilloscope, firmware version, and module combinations except TDS210 and TDS220 with firmware below V 2.00 and a TDS2CMA communications module.)	Set or query the channel invert
CH<x>:POSition	Set or query the channel position
CH<x>:PRObe	Set or query the channel probe parameters
CH<x>:SCAlE	Set or query the channel volts/div
CH<x>:VOLts	Same as CH<x>:SCAlE
CH<x>:YUNit (TDS1000B, TDS2000B, and TPS2000 only)	Set or query the units of the specified channel
SElect?	Controls the display of waveforms
SElect:<wfm>	Set or query the waveform display state

## Waveform Commands

Waveform commands let you transfer waveform data points to and from the oscilloscope. Waveform data points are a collection of values that define a waveform. One data value usually represents one data point in the waveform record. When working with peak-detect waveforms, each data value is either the min or max of a min/max pair. Before you can transfer waveform data, you must specify the data format and waveform locations.

Table 2-26 lists and describes Waveform commands. Refer to the text following this table for more information about waveform commands.

**Table 2-26: Waveform commands**

<b>Header</b>	<b>Description</b>
CURVe	Transfer waveform data to or from the oscilloscope
DATA	Set or query the waveform data format and location
DATA:DESTination	Set or query the destination for waveforms sent to the oscilloscope
DATA:ENCdg	Set or query the waveform data encoding method
DATA:SOURce	Set or query the source of CURVe? data
DATA:STARt	Set or query the starting point in waveform transfer
DATA:STOP	Set or query the ending point in waveform transfer
DATA:TARget	Same as DATA:DESTination
DATA:WIDTH	Set or query the byte width of waveform points
WAVFrm?	Return waveform preamble and curve data
WFMPre?	Return waveform preamble
WFMPre:BIT_Nr	Set or query the preamble bit width of waveform points
WFMPre:BN_Fmt	Set or query the preamble binary encoding type
WFMPre:BYT_Nr	Set or query the preamble byte width of waveform points
WFMPre:BYT_Or	Set or query the preamble byte order of waveform points
WFMPre:ENCdg	Set or query the preamble encoding method

**Table 2-26: Waveform commands (Cont.)**

Header	Description
WFMPre:NR_Pt	Query the number of points in the curve transfer
WFMPre:PT_Fmt	Set or query the format of curve points
WFMPre:PT_Off	Query the trigger offset
WFMPre:WFId?	Query the waveform identifier
WFMPre:XINcr	Set or query the horizontal sampling interval
WFMPre:XUNit	Set or query the horizontal units
WFMPre:XZEro	Set or query the time of first point in waveform
WFMPre:YMUit	Set or query the vertical scale factor
WFMPre:YOff	Set or query the vertical offset
WFMPre:YUNit	Set or query the vertical units
WFMPre:YZEro? (TDS200 with TDS2MM module, TDS1000, TDS2000, TDS1000B, TDS2000B, and TPS2000 only)	Set or query the waveform conversion factor
WFMPre:<wfm>?	Return waveform formatting data
WFMPre:<wfm>:NR_Pt?_Fmt	Return the number of points in the transmitted waveform record
WFMPre:<wfm>:PT_Fmt	Set or query the format of curve points
WFMPre:<wfm>:PT_Off?	Query the trigger offset
WFMPre:<wfm>:WFId?	Query the waveform identifier
WFMPre:<wfm>:XINcr	Set or query the horizontal sampling interval
WFMPre:<wfm>:XUNit	Set or query the horizontal units
WFMPre:<wfm>:XZEro	Set or query the time of first data point in waveform

**Table 2-26: Waveform commands (Cont.)**

Header	Description
WFMPre:<wfm>:YMUit	Set or query the vertical scale factor
WFMPre:<wfm>:YOFF	Set or query the vertical position
WFMPre:<wfm>:YUNit	Set or query the vertical units
WFMPre:<wfm>:YZEro? (TDS200 with TDS2MM module, TDS1000, TDS2000, TDS1000B, TDS2000B, and TPS2000 only)	Set or query the waveform conversion factor

### Waveform Data Formats

Internally, the oscilloscope uses one 8-bit data byte to represent each waveform data point, regardless of the acquisition mode.

The DATA:WIDTH command lets you specify the number of bytes per data point when transferring data to and from an oscilloscope. This provides compatibility with other digitizing oscilloscopes.

When DATA:WIDTH is set to two:

- If sending data, the oscilloscope multiplies each point by 256; the most significant byte then has meaningful data and the least significant byte is 0
- If receiving data, the oscilloscope truncates the data (divides by 256) and saves the most significant byte

---

**NOTE.** *The oscilloscopes uses these methods to handle waveforms transmitted in ASCII or binary format.*

---

The oscilloscope can transfer waveform data in either ASCII or binary format. Use the `DATA:ENCdg` command to specify one of the following formats:

- ASCII data is represented by signed integer values. The range of values depends on the byte width specified. One-byte-wide data ranges from  $-128$  to  $127$ . Two-byte-wide data ranges from  $-32768$  to  $32767$ .

Each data value requires two to seven characters. This includes one character for the minus sign if the value is negative, one to five ASCII characters for the waveform value, and a comma to separate data points.

An example of an ASCII waveform data string follows:

```
CURVE<space>-110,-109,-110,-110,-109,-107,-109,-107,
-106,-105,-103,-100,-97,-90,-84,-80
```

- Binary data can be represented by signed integer or positive integer values. The range of the values depends on the byte width specified.

Table 2-27 lists the ranges for one- and two-byte-wide data.

**Table 2-27: Binary data ranges**

Byte width	Signed integer range	Positive integer range
1	$-128$ to $127$	0 to 255
2	$-32,768$ to $32,767$	0 to 65,535

The defined binary formats also specify the order in which the bytes are transferred giving a total of four binary formats: RIBinary, RPBinary, SRIBinary, and SRPBinary.

RIBinary is signed integer where the most significant byte is transferred first, and RPBinary is positive integer where the most significant byte is transferred first. SRIBinary and SRPBinary correspond to RIBinary and RPBinary respectively but use a swapped byte order where the least significant byte is transferred first. The byte order is ignored when DATA:WIDTH is set to 1.

### **Waveform Data Record**

You can transfer multiple points for each waveform record. You can transfer a portion of the waveform or you can transfer the entire record. The DATA:START and DATA:STOP commands let you specify the first and last data points of the waveform record.

When transferring data into the oscilloscope you must specify the location of the first data point within the waveform record. For example, when DATA:START is set to 1, data points will be stored starting with the first point in the record, and when DATA:START is set to 500, data will be stored starting at the 500<sup>th</sup> point in the record. The oscilloscope ignores DATA:STOP when reading in data as the oscilloscope will stop reading data when there is no more data to read or when it has reached 2500 data points.

You must specify the first and last data points in the waveform record when transferring data from the oscilloscope to an external device. Setting DATA:START to 1 and DATA:STOP to 2500 always sends the entire waveform, regardless of the acquisition mode.

### **Waveform Data Locations and Memory Allocation**

The DATA:SOURCE command specifies the location of the data when transferring waveforms from the oscilloscope. You can transfer one waveform at a time.

You can transfer only one waveform into the oscilloscope at a time. Each waveform is stored in one of two stored waveform locations for 2-channel models or one of four stored waveform locations for 4-channel models. You specify the stored waveform location with the DATA:DESTINATION command.

---

**NOTE.** *The oscilloscope stores waveforms that are  $\leq 2500$  data points long. The oscilloscope truncates waveforms longer than 2500 data points.*

---

### **Waveform Preamble**

Each waveform that is transferred has an associated waveform preamble that contains information such as the horizontal scale, vertical scale, and other settings in place when the waveform was created. Refer to the WFMPre commands on page 2-244 for more information about the waveform preamble.

### **Scaling Waveform Data**

Once you transfer the waveform data to the controller, you can convert the data points into voltage values for analysis using information from the waveform preamble.

### **Transferring Waveform Data**

Data transfer times depend on data format, data width, and the speed of the controller. Refer to *Programming Examples* on page 4-1.

**From the Oscilloscope.** To transfer waveforms from the oscilloscope to an external controller, follow these steps:

1. Use the DATA:SOURce command to select the waveform source.
2. Use the DATA:ENCdg command to specify the waveform data format.
3. Use the DATA:WIDth command to specify the number of bytes per data point.
4. Use the DATA:STARt and DATA:STOP commands to specify the portion of the waveform that you want to transfer.
5. Use the WFMPre? command to transfer waveform preamble information.
6. Use the CURVe? command to transfer waveform data.

**To the Oscilloscope.** To transfer waveform data to an oscilloscope waveform storage location, follow these steps:

1. Use the `DATA:DESTination` command to specify the stored waveform location.
2. Use the `DATA:ENCdg` command to specify the waveform data format.
3. Use the `DATA:WIDth` command to specify the number of bytes per data point.
4. Use the `DATA:STARt` command to specify the first data point in the waveform record.
5. Use the `WFMPRe` command to transfer waveform preamble information.
6. Use the `CURVe?` command to transfer waveform data.



# Command Descriptions

Commands either set or query oscilloscope values. Some commands both set and query, some only set, and some only query.

## Manual Conventions

This manual uses the following conventions:

- No query form exists for commands identified as “Set Only”
- A question mark (?) appended to the command and “Query Only” indicates query-only commands
- Fully spells out headers, mnemonics, and arguments with the minimal spelling shown in upper case; for example, to use the abbreviated form of the ACQ*u*ire:MO*D*e command, just type ACQ:MOD
- Syntax of some commands varies, depending on the model of oscilloscope and extension module you use; differences are noted
- Command descriptions list specific oscilloscopes series (and module) when commands are valid for only those products

---

**NOTE.** While Trigger View is active (when you push the TRIG VIEW button on the front panel), the oscilloscope ignores the set form of most commands. If you send a command at this time, the oscilloscope generates execution error 221 (Settings conflict).

---

## ACQ*u*ire? (Query Only)

Returns current acquisition settings.

### Group

Acquisition

**Syntax**

ACQuire?

**Returns**

Returns current acquisition settings.

**Examples**

ACQuire?

Might return the following string for the current acquisition:

```
ACQUIRE:STOPAFTER RUNSTOP;STATE 1;MODE SAMPLE;NUMAVG 16
```

## ACQuire:MODE

Sets or queries the oscilloscope acquisition mode. This affects all live waveforms and is equivalent to setting the Mode option in the Acquire menu.

Waveforms are the displayed data point values taken from acquisition intervals. Each acquisition interval represents a time duration that is determined by the horizontal scale (time per division).

The oscilloscope sampling system can operate at a rate greater than that indicated by the horizontal scale. Therefore, an acquisition interval can include more than one sample.

The acquisition mode, which you set using this ACQuire:MODE command, determines how the final value of the acquisition interval is generated from the many data samples.

**Group**

Acquisition

**Syntax**

```
ACQuire:MODE { SAMple | PEAKdetect | AVErage }
```

ACQuire:MODE?

**Arguments**

**SAMple** specifies that the displayed data point value is the first sampled value that was taken during the acquisition interval. The waveform data has 8 bits of precision in all acquisition modes. You can request 16 bit data with a **CURVe?** query, but the lower-order 8 bits of data will be zero. **SAMple** is the default mode.

**PEAKdetect** specifies the display of the high-low range of the samples taken from a single waveform acquisition. The oscilloscope displays the high-low range as a vertical range that extends from the highest to the lowest value sampled during the acquisition interval. **PEAKdetect** mode can reveal the presence of aliasing.

**AVerage** specifies averaging mode, where the resulting waveform shows an average of **SAMple** data points from several separate waveform acquisitions. The number of waveform acquisitions that go into making up the average waveform is set or queried using the **ACQUIRE:NUMAVg** command.

**Examples**

**ACQUIRE:MODE PEAKdetect**

Displays a vertical area representing the range of the highest to lowest value of the acquired signal.

**ACQUIRE:MODE?**

Might return **SAMPLE**.

**Related Commands**

**WFMPRE:PT\_Fmt**

## **ACQUIRE:NUMACq? (Query Only)**

Indicates the number of acquisitions that have taken place since starting oscilloscope acquisition. The maximum number of acquisitions that can be counted is  $2^{31}-1$ . This value is reset to zero when you change most Acquisition, Horizontal, Vertical, or Trigger arguments that affect the waveform except for the following:

- Changing the trigger level or trigger holdoff when in Sample or Peak Detect mode does not reset the value

---

**NOTE.** Any change made when in Average mode aborts the acquisition and resets ACQUIRE:NUMAcq to zero.

---

- TDS200: changing the vertical position does not reset the value
- TDS1000, TDS2000, TDS1000B, TDS2000B, and TPS2000 series: if the Trigger mode is set to Auto, and the Horizontal Scale is 10 ms/div or slower, changing the vertical position does not reset the value

---

**NOTE.** In Scan mode, ACQUIRE:NUMAcq? always returns zero.

---

**Group**

Acquisition

**Syntax**

ACQUIRE:NUMAcq?

**Returns**

<NR1>

**Examples**

ACQUIRE:NUMAcq?

Might return 350, indicating that 350 acquisitions took place since an ACQUIRE:STATE RUN command was executed.

## ACQUIRE:NUMAVg

Sets the number of oscilloscope waveform acquisitions that make up an averaged waveform. This command is equivalent to setting the Averages option in the Acquire menu.

**Group**

Acquisition

**Syntax**

ACQuire:NUMAVg <NR1>

ACQuire:NUMAVg?

**Arguments**

<NR1> is the number of waveform acquisitions. Correct values are 4, 16, 64, and 128.

**Examples**

ACQuire:NUMAVg 16

This specifies that an averaged waveform will show the result of combining 16 separately acquired waveforms.

ACQuire:NUMAVg?

Might return 64, indicating that there are 64 acquisitions specified for averaging.

## ACQuire:STATE

Starts or stops oscilloscope acquisitions. This command is the equivalent of pressing the front-panel RUN/STOP button. If ACQuire:STOPAfter is set to SEQuence, other signal events may also stop acquisition.

---

**NOTE.** *The best way to determine when a single sequence acquisition is complete is to use \*OPC? rather than ACQuire:STATE?. For more information on the \*OPC? command, refer to page 2-169.*

---

**Group**

Acquisition

**Syntax**

ACQuire:STATE { OFF | ON | RUN | STOP | <NR1> }

ACQuire:STATE?

### Arguments

OFF | STOP | <NR1> = 0 stops acquisitions.

ON | RUN | <NR1> ≠ 0 starts acquisition and display of waveforms. If the command was issued in the middle of an acquisition sequence (for instance averaging), RUN restarts the sequence, discarding any data accumulated before the STOP. It also resets the number of acquisitions.

### Examples

```
ACQuire:STATE RUN
```

Starts acquisition of waveform data and resets the number of acquisitions count (NUMACq) to zero.

```
ACQuire:STATE?
```

Returns 0 or 1, depending on whether or not the acquisition system is running.

### Related Commands

\*OPC?

## ACQuire:STOPAfter

Tells the oscilloscope when to stop taking acquisitions.

### Group

Acquisition

### Syntax

```
ACQuire:STOPAfter { RUNStop | SEquence}
```

```
ACQuire:STOPAfter?
```

### Arguments

RUNStop specifies that the run and stop states should be determined by pressing the front-panel RUN/STOP button or issuing the ACQuire:STATE command.

SEQUENCE specifies “single sequence” operation, where the oscilloscope stops after it has acquired enough waveforms to satisfy the conditions of the acquisition mode. For example, if the acquisition mode is set to sample, the oscilloscope stops after digitizing a waveform from a single trigger event. However, if the acquisition mode is set to average 64 waveforms, then the oscilloscope stops only after acquiring all 64 waveforms.

The ACQUIRE:STATE command and the front-panel RUN/STOP button also stop acquisitions when the oscilloscope is in single sequence mode.

### **Examples**

ACQUIRE:STOPAfter RUNSTOP

Sets the oscilloscope to stop the acquisition when you press the front-panel RUN/STOP button.

ACQUIRE:STOPAfter?

Might return SEQUENCE.

## **ALLEv? (Query Only)**

Causes the oscilloscope to return all events and their messages, and removes the returned events from the Event Queue. The messages are separated by commas. Use the \*ESR? query to enable the events to be returned. For a complete discussion of how to use these registers, refer to page 3-1. This command is similar to repeatedly sending \*EVMsg? queries to the oscilloscope.

### **Group**

Status and error

### **Syntax**

ALLEv?

### Returns

The event code and message in the following format:

```
<Event Code><Comma><QString>[<Comma><Event Code><Comma><QString>...]
```

```
<QString> ::= <Message>; [<Command>]
```

<Command> is the command that caused the error and may be returned when a command error is detected by the oscilloscope. As much of the command is returned as possible without exceeding the 60 character limit of the <Message> and <Command> strings combined. The command string is right-justified.

### Examples

ALLEV?

Might return the following string:

```
:ALLEV 2225,"Measurement error, No waveform to measure;  
",420,"Query UNTERMINATED; "
```

### Related Commands

\*CLS, DESE, \*ESE, \*ESR?, EVENT?, EVMsg?, EVQty?, \*SRE, \*STB?

## AUTORange? (TDS1000B, TDS2000B, and TPS2000 Series Only)

Returns current AUTORange settings.

### Group

Power Measurement

### Syntax

AUTORange?

### Examples

AUTORange?



Might return `:AUTORANGE:SETTINGS BOTH;STATE 1`, indicating that Autorange is active and adjusting both the horizontal and vertical settings.

## **AUTORange:STATE** **(TDS1000B, TDS2000B, and TPS2000 Series Only)**

Toggles Autorange off and on.

### **Group**

Miscellaneous

### **Syntax**

```
AUTORange:STATE { OFF | ON | <NR1> }
```

```
AUTORange:STATE?
```

### **Arguments**

OFF deactivates the Autorange feature.

ON activates the Autorange feature.

<NR1> = 0 deactivates the Autorange feature.

<NR1> ≠ 0 activates the Autorange feature.

### **Examples**

```
AUTORANGE:STATE ON
```

Starts the Autorange function.

```
AUTORANGE:STATE?
```

Returns 0 or 1, depending on whether or not the Autorange function is on.

### **Related Commands**

```
AUTORange:SETTings
```

## **AUTORange:SETTings** **(TDS1000B, TDS2000B, and TPS2000 Series Only)**

Controls the parameters that the Autorange function can adjust. It is equivalent to the option buttons in the Autorange menu.

### **Group**

Miscellaneous

### **Syntax**

```
AUTORange:SETTings { HORizontal | VERTical | BOTH }
```

```
AUTORange:SETTings?
```

### **Arguments**

`HORizontal` allows Autorange to adjust the horizontal, but not vertical, settings.

`VERTical` allows Autorange to adjust the vertical, but not horizontal, settings.

`BOTH` allows Autorange to adjust both the horizontal and vertical settings.

### **Examples**

```
AUTORANGE:SETTINGS VERTICAL
```

Turns on the Autorange vertical settings.

```
AUTORANGE:SETTINGS?
```

Might return `VERTICAL`, indicating that Autorange will only adjust the vertical settings.

### **Related Commands**

```
AUTORange:STATE
```

## **AUTOSet (Set Only)**

Causes the oscilloscope to adjust its vertical, horizontal, and trigger controls to display a stable waveform. This command is equivalent to pushing the front-panel AUTOSET button.

For a detailed description of the Autoset function, refer to the user manual for your oscilloscope.

### **Group**

Miscellaneous

### **Syntax**

AUTOSet EXECute

### **Arguments**

EXECute invokes Autoset.

## **AUTOSet:ENABLE (TDS1000B and TDS2000B Series Only)**

Allows educators to disable or enable the Autorange and Autoset functions. The function can be manually set from the Service Diag menu. To access the menu, refer to the TDS1000B and TDS2000B series service manual.

### **Group**

Miscellaneous

## **AUTOSet:SIGNAL? (Query Only) (TDS1000, TDS2000, TDS1000B, TDS2000B, and TPS2000 Series Only)**

Returns the type of signal discovered by the most recent execution of Autoset.

**Group**

Miscellaneous

**Syntax**

AUTOSet:SIGNAL?

**Returns**

Might return { LEVEL | SINE | SQUARE | VIDPAL | VIDNTSC | OTHER | NONE }

LEVEL if the oscilloscope discovered a DC level.

SINE if the oscilloscope discovered a sine-like waveform.

SQUARE if the oscilloscope discovered a square-like waveform.

VIDPAL if the oscilloscope discovered a PAL or SECAM standard video signal.

VIDNTSC if the oscilloscope discovered an NTSC standard video signal.

OTHER if the oscilloscope was unable to classify the signal.

NONE if the AUTOSET menu is not displayed.

## **AUTOSet:VIEW**

**(TDS1000, TDS2000, TDS1000B, TDS2000B, and TPS2000 Series Only)**

If the current menu is not the Autoset menu, or if the view is not valid for the detected waveform, the set command causes the oscilloscope to generate error 221 (Settings conflict).

**Group**

Miscellaneous

**Syntax**

AUTOSet:VIEW { MULTICYcle | SINGLECYcle | FFT | RISINGedge | FALLINGedge | FIELD | ODD | EVEN | LINE | LINENum | DCLine | DEFault | NONE }

**Arguments**

MULTICYcle displays a sine or square wave of several cycles. Default for sine-like and square-like signals.

SINGLECYcle displays a sine or square wave of approximately one cycle.

FFT displays the FFT of a sine wave.

RISING displays the rising edge of a square wave.

FALLING displays the falling edge of a square wave.

FIELD displays a video signal synchronized on all fields. This is the default for video signals.

ODD displays a video signal synchronized on odd fields.

EVEN displays a video signal synchronized on even fields.

LINE displays a video signal synchronized on all lines.

LINENum displays a video signal synchronized on the specified line number.

DCLIne returns a query response when the oscilloscope finds a DC level.

DEFault returns a query response when the oscilloscope cannot determine the signal type.

NONE returns a query response when the AUTOSet menu is not displayed. Set is ignored.

**Examples**

```
AUTOSet:VIEW EVEN
```

The oscilloscope will display video signals synchronized on even fields when operated in autoset mode.

**BUSY? (Query Only)**

Returns the status of the oscilloscope. This command allows you to synchronize the operation of the oscilloscope with your application program. Refer to *Synchronization Methods* on page 3-10 for more information.

**Group**

Status and error

**Syntax**

BUSY?

**Returns**

0 when the oscilloscope is not busy processing any of the commands listed in Table 2-30 (\*OPC) on page 2-170.

1 when the oscilloscope is busy processing one of the commands listed in Table 2-30 (\*OPC) on page 2-170.

**Examples**

BUSY?

Might return 1, indicating that the oscilloscope is busy.

**Related Commands**

\*OPC, \*WAI

**\*CAL? (Query Only)**

Performs an internal self-calibration and returns its status. This is equivalent to selecting the Do Self Cal option in the Utility menu. Although \*CAL? is a query command, it does perform an action.

---

**NOTE.** *The self-calibration can take several minutes to complete. During this time, the oscilloscope does not execute any commands.*

*Disconnect all signals from the oscilloscope before performing an internal self-calibration.*

---

**Group**

Calibration and Diagnostic

**Syntax**

\*CAL?

**Returns**

0 indicates that the self-calibration completed without any errors detected.

Any value other than zero indicates that the self-calibration did not complete successfully or completed with errors.

**Examples**

\*CAL?

Performs a self-calibration and might return 0 to indicate that it completed successfully.

**Related Commands**

CALibrate:INTERNAL

## CALibrate:ABOrt (Set Only)

---

**NOTE.** *You should only use this command in a qualified service environment. For more information about the factory calibration sequence, refer to the service manual for your oscilloscope.*

---

Aborts the factory calibration process. When you abort the factory calibration, the oscilloscope restores the calibration settings to the previous factory calibration constants stored in non-volatile memory.

**Group**

Calibration and Diagnostic

**Syntax**

CALibrate:ABOrt

**Examples**

CALibrate:ABOrt

Stops the in-process factory calibration procedure.

## **CALibrate:CONTINUE (Set Only)**

---

**NOTE.** *You should only use this command in a qualified service environment. For more information about the factory calibration sequence, refer to the service manual for your oscilloscope.*

---

Performs the next step in the factory calibration operation.

### **Group**

Calibration and Diagnostic

### **Syntax**

CALibrate:CONTINUE

### **Examples**

CALibrate:CONTINUE

Performs the next step in the factory calibration operation.

## **CALibrate:FACTory (Set Only)**

---

**NOTE.** *You should only use this command in a qualified service environment. For more information about the factory calibration sequence, refer to the service manual for your oscilloscope.*

---

Starts the oscilloscope's internal factory calibration operation. The calibration operation consists of a sequence of steps. You send the CALibrate:CONTINUE command to advance to the next calibration step. The calibration program automatically sets up the oscilloscope for each calibration step. Use the CALibrate:ABOrt command to abort the factory calibration.



You can only send synchronization commands or queries (such as \*OPC, OPC?, \*WAI, BUSY?) while doing a factory calibration.

**Group**

Calibration and Diagnostic

**Syntax**

CALibrate:FACTory

**Examples**

CALibrate:FACTory

Starts the factory calibration process.

## CALibrate:INTERNAL (Set Only)

Performs an internal self-calibration but does not return any status. This is equivalent to selecting the Do Self Cal option in the Utility menu.

---

**NOTE.** *The self-calibration can take several minutes to complete. During this time, the oscilloscope does not execute any commands.*

*Disconnect all signals from the oscilloscope before performing an internal self-calibration.*

---

**Syntax**

CALibrate:INTERNAL

**Examples**

CALibrate:INTERNAL

Performs an internal self-calibration.

**Related Commands**

\*CAL?

## **CALibrate:STATUS? (Query Only)**

Returns the status of the last calibration operation performed (either self- or factory-calibration) since power up.

### **Group**

Calibration and Diagnostic

### **Syntax**

CALibrate:STATUS?

### **Returns**

PASS indicates that the oscilloscope completed the last calibration operation without detecting any errors.

FAIL indicates that the oscilloscope detected errors during the last calibration operation, or that no calibration operations have been performed since power up.

### **Examples**

CALibrate:STATUS?

Might return CALIBRATE:STATUS FAIL, if the oscilloscope failed the last calibration operation.

## **CH<x>? (Query Only)**

Returns the current oscilloscope vertical settings. The value of <x> can vary from 1 through 4 for 4-channel instruments or 1 through 2 for 2-channel instruments.

Because CH<x>:SCALE and CH<x>:VOLts are identical, only CH<x>:SCALE is returned.

### **Group**

Vertical

### **Syntax**

CH<x>?

**Returns**

Oscilloscope vertical settings.

**Examples**

CH1?

Might return the following string for channel 1:

```
CH1:SCALE 1.0E0;POSITION 0.0E0; COUPLING DC;BANDWIDTH  
OFF;PROBE 1.0E0
```

**Related Commands**

SELect:CH<x>

## CH<x>:BANdwidth

Sets or queries the bandwidth setting of the specified oscilloscope channel. The value of <x> can vary from 1 through 4 for 4-channel instruments or 1 through 2 for 2-channel instruments.

This command is equivalent to setting the BW Limit option in the Vertical menu.

**Group**

Vertical

**Syntax**

```
CH<x>:BANdwidth { ON | OFF }
```

```
CH<x>:BANdwidth?
```

**Arguments**

ON sets the channel bandwidth to 20 MHz.

OFF sets the channel bandwidth to the full bandwidth of the oscilloscope.

In most acquisition modes, full bandwidth is 60 MHz, 100 MHz, or 200 MHz (depending on the oscilloscope model). There are exceptions.

### **TDS1000, TDS2000, TDS1000B, TDS2000B, and TPS2000 Series**

At vertical scales from 2.00 to 4.99 mV/div (sensitivity at the BNC; that is, after the probe factor is removed), the full bandwidth is 20 MHz.

### **TDS200 Series**

At vertical scales of 5 mV/div or less (sensitivity at the BNC; that is, after the probe factor is removed), the full bandwidth is 20 MHz. When the acquisition mode is Peak Detect, and the vertical scale at the BNC is 10 mV/div or less, the full bandwidth is also 20 MHz.

### **Examples**

```
CH2:BANDWIDTH ON
```

Sets the bandwidth of channel 2 to 20 MHz.

```
CH1:BANDWIDTH?
```

Might return OFF. This indicates there is no bandwidth limiting on channel 1.

## **CH<x>:COUPling**

Sets or queries the input attenuator coupling setting of the specified oscilloscope channel. The value of <x> can vary from 1 through 4 for 4-channel instruments or 1 through 2 for 2-channel instruments.

This command is equivalent to setting the Coupling option in the Vertical menu.

### **Group**

Vertical

### **Syntax**

```
CH<x>:COUPling { AC | DC | GND }
```

```
CH<x>:COUPling?
```

### **Arguments**

AC sets the specified oscilloscope channel to AC coupling.

DC sets the specified oscilloscope channel to DC coupling.

GND sets the specified oscilloscope channel to ground. Only a flat ground-level waveform is displayed.

### Examples

```
CH1:COUPLING AC
```

This establishes AC coupling on channel 1.

```
CH2:COUPLING?
```

Might return DC. Indicating that channel 2 is set to DC coupling.

## CH<x>:CURRENTPRObe (TDS1000B, TDS2000B, and TPS2000 Series Only)

Sets or queries the scale factor of the specified channel for current probes. The value of <x> can vary from 1 through 4 for 4-channel instruments or 1 through 2 for 2-channel instruments.

You can issue this command when CH<x>:YUNIT <QString> is set to V. However, this command only affects the readouts when CH<x>:YUNIT <QString> is set to A.

### Group

Vertical

### Syntax

```
CH<x>:CURRENTPRObe { 0.2 | 1 | 2 | 5 | 10 | 50 | 100 | 1000 }
```

```
CH<x>:CURRENTPRObe?
```

### Arguments

0.2 sets the specified oscilloscope channel to 0.2X attenuation.

1 sets the specified oscilloscope channel to 1X attenuation.

2 sets the specified oscilloscope channel to 2X attenuation.

5 sets the specified oscilloscope channel to 5X attenuation.

10 sets the specified oscilloscope channel to 10X attenuation.  
50 sets the specified oscilloscope channel to 50X attenuation.  
100 sets the specified oscilloscope channel to 100X attenuation.  
1000 sets the specified oscilloscope channel to 1000X attenuation.

**Returns**

<NR1>

**Examples**

CH2:CURRENTPRObe 1000

This sets channel 2 to 1000X attenuation.

CH1:CURRENTPRObe?

Might return 10.

## CH<x>:INVert

---

**NOTE.** You can NOT use this command with a TDS210 or TDS220 oscilloscope with firmware below V 2.00 and a TDS2CMA (or TDS2CM) communications module.

---

Sets or queries the inversion state of the specified oscilloscope channel. The value of <x> can vary from 1 through 4 for 4-channel instruments or 1 through 2 for 2-channel instruments.

This command is equivalent to setting the Invert option in the Vertical channel menus.

**Group**

Vertical

**Syntax**

CH<x>:INVert { ON | OFF }

CH<x>:INVert?

**Arguments**

ON inverts the specified oscilloscope channel.

OFF sets the specified oscilloscope channel to non-inverted.

**Examples**

CH1:INVert ON

Inverts the signal on channel 1.

CH2:INVert?

Might return OFF, indicating that channel 2 is not inverted.

**CH<x>:POSITION**

Sets or queries the vertical position of the specified oscilloscope channel. The value of <x> can vary from 1 through 4 for 4-channel instruments or 1 through 2 for 2-channel instruments.

The position voltage value is applied to the signal before digitization. This command is equivalent to adjusting the front-panel VERTICAL POSITION knob.

**Group**

Vertical

**Syntax**

CH<x>:POSITION <NR3>

CH<x>:POSITION?

**Arguments**

<NR3> is the position in divisions from the center graticule.

Table 2-28 lists the vertical position ranges using a 1X probe.

**Table 2-28: Vertical position ranges using a 1X probe**

<b>CH&lt;x&gt;:SCALE</b>	<b>Position range</b>
2 mV/div	±1000 divs
5 mV/div	±400 divs
10 mV/div	±200 divs
20 mV/div	±100 divs
50 mV/div	±40 divs
100 mV/div	±20 divs
200 mV/div	±10 divs
500 mV/div	±100 divs
1 V/div	±50 divs
2 V/div	±25 divs
5 V/div	±10 divs

**Examples**

```
CH2:POSition 1.32E0
```

Positions the channel 2 input signal 1.32 divisions above the center of the display.

```
CH1:POSition?
```

Might return  $-1.32E0$ , indicating that the current position of channel 1 is at  $-1.32$  divisions.

**CH<x>:PRObe**

Sets or queries the attenuation factor of the specified channel or voltage probes. The value of <x> can vary from 1 through 4 for 4-channel instruments or 1 through 2 for 2-channel instruments.

**Group**

Vertical



**Syntax**

CH<x>:PRObe { 1 | 10 | 20 | 50 | 100 | 500 | 1000 }

CH<x>:PRObe?

**Arguments**

1 sets the specified oscilloscope channel to 1X attenuation.

10 sets the specified oscilloscope channel to 10X attenuation.

20 sets the specified oscilloscope channel to 20X attenuation.  
(TDS1000B, TDS2000B, and TPS2000 series only)

50 sets the specified oscilloscope channel to 50X attenuation.  
(TDS1000B, TDS2000B, and TPS2000 series only)

100 sets the specified oscilloscope channel to 100X attenuation.

500 sets the specified oscilloscope channel to 500X attenuation.  
(TDS1000B, TDS2000B, and TPS2000 series only)

1000 sets the specified oscilloscope channel to 1000X attenuation.

**Returns**

<NR1>

**Examples**

CH2:PRObe 1000

Sets channel 2 to 1000X attenuation.

CH1:PRObe?

Might return CH1:PROBE 10

**CH<x>:SCALE**

Sets or queries the vertical gain of the specified oscilloscope channel. The value of <x> can vary from 1 through 4 for 4-channel instruments or 1 through 2 for 2-channel instruments.

This command is equivalent to adjusting the front-panel VOLTS/DIV knob.

**Group**

Vertical

**Syntax**

CH<x>:SCALE <NR3>

CH<x>:SCALE?

**Arguments**

<NR3> is the gain, in volts or amps per division. For example, the voltage range is 5 V/div to 2 mV/div when using a 1X voltage probe.

**Examples**

CH1:SCALE 100E-3

Sets the channel 1 gain to 100 mV/div.

CH2:SCALE?

Might return 1.0E0, indicating that the current V/div setting of channel 2 is 1 V/div.

**Related Commands**

CH1:VOLts

## CH<x>:VOLts

Sets or queries the vertical gain of the specified channel. The value of <x> can vary from 1 through 4 for 4-channel instruments or 1 through 2 for 2-channel instruments.

This command is identical to the CH<x>:SCALE command and is included for compatibility purposes. Only CH<x>:SCALE is returned in response to a CH<x>? query.

## **CH<x>:YUNIT** **(TDS1000B, TDS2000B, and TPS2000 Series Only)**

Sets or queries the units of the specified channel. The value of <x> can vary from 1 through 4 for 4-channel instruments or 1 through 2 for 2-channel instruments.

### **Group**

Vertical

### **Syntax**

CH<x>:YUNIT <QString>

CH<x>:YUNIT?

### **Arguments**

<QString> is either “V” for volts or “A” for amps. This is equivalent to setting the probe to Voltage or Current in the probe front-panel menu. This command is case insensitive.

### **Examples**

CH2:YUNIT?

Might return CH2:YUNIT "V", indicating that the channel 2 units are volts.

## **\*CLS (Set Only)**

The \*CLS command clears the following oscilloscope status data structures:

- The Event Queue
- The Standard Event Status Register (SESR)
- The Status Byte Register (except the MAV bit described on page 2-72)

If the \*CLS command immediately follows an <EOI>, the Output Queue and MAV bit (Status Byte Register bit 4) are also cleared. MAV indicates information is in the output queue. The device clear (DCL) GPIB control message and the USBTMC INITIATE\_CLEAR control message will clear the output queue and also MAV.

\*CLS does not clear the output queue or MAV. \*CLS can suppress a service request that is to be generated by an \*OPC command. This will happen if a hard copy output or single sequence acquisition operation is still being processed when the \*CLS command is executed.

Refer to *Registers* on page 3-1 for more information.

### **Group**

Status and Error

### **Syntax**

\*CLS

### **Related Commands**

DESE, \*ESE, \*ESR?, EVENT?, EVMsg?, \*SRE, \*STB?

## **CURSor? (Query Only)**

Returns current cursor settings.

### **Group**

Cursor

### **Syntax**

CURSor?

### **Returns**

Oscilloscope cursor settings.

### **Examples**

CURSor?

Might return the following string as the current cursor settings:

```
CURSOR:FUNCTION VBARS;SELECT:SOURCE CH1; :CUR-  
SOR:VBARS:UNITS SECONDS;POSITION1 0.0E0;POSITION2  
4.48E-3;:CURSOR:HARS:UNITS VOLTS;POSITION1 0.0E0;POSI-  
TION2 5.0E-1.
```

## CURSOR:FUNCTION

Selects and displays the oscilloscope cursor type. Cursors are attached to the waveform selected by CURSOR:SElect:SOUrce. This command is equivalent to setting the Type option in the Cursor menu. Setting the function to anything other than OFF causes the Cursor menu to be displayed.

---

**NOTE.** *Setting the display format to XY removes the cursors. Sending the CURSOR:FUNction command when the display format is XY causes the oscilloscope to generate event 221 (Settings conflict) and leaves the display in XY format.*

---

### Group

Cursor

### Syntax

```
CURSOR:FUNction { HBArs | OFF | VBArS }
```

CURSOR:FUNction?

### Arguments

HBArs specifies horizontal bar cursors that measure the vertical units in volts, amps, divisions, or decibels.

OFF removes cursors from the display.

VBArS specifies vertical bar cursors that measure time or frequency.

**Examples**

CURSor:FUNctIon VBArS

Selects vertical bar type cursors.

**CURSor:HBArS? (Query Only)**

Returns the current settings for the oscilloscope horizontal bar cursors.

**Group**

Cursor

**Syntax**

CURSor:HBArS?

**Returns**

Current horizontal bar cursor settings.

**Examples**

CURSor:HBArS?

Might return the following string:

CURSOR:HBARS:UNITS VOLTS;POSITION1 0.0E0; POSITION2  
0.0E0.

**CURSor:HBArS:DELTA? (Query Only)**

Returns the difference (in vertical units) between the two horizontal bar cursors in the oscilloscope display.

---

**NOTE.** *If Trigger View is active, this query returns 9.9E37 and generates event 221 (Settings conflict).*

---

**Group**

Cursor

**Syntax**

CURSor:HBARs:DELTA?

**Returns**

<NR3>

**Examples**

CURSor:HBARs:DELTA?

Might return 5.08E0 for the difference between the two cursors.

**CURSor:HBARs:POSITION<x>**

Positions a horizontal bar cursor. The value of <x> can vary from 1 through 2.

---

**NOTE.** *If Trigger View is active, the query form returns 9.9E37 and generates event 221 (Settings conflict).*

---

**Group**

Cursor

**Syntax**

CURSor:HBARs:POSITION<x> <NR3>

CURSor:HBARs:POSITION<x>?

**Arguments**

<NR3> specifies the horizontal bar cursor position, relative to ground (in volts when the units are volts and amps when the units are amps), relative to the center of the screen (in divs when units are divisions), or relative to 1 V RMS (in decibels when the source is an FFT math waveform), for the waveform specified by the CURSor:SE-  
Lect:SOURce command.

The cursor position is limited to the graticule whenever an attempt is made to move it outside the graticule.

---

**NOTE.** *The source always determines the measurement units.*

---

**Examples**

CURSOR:HBArs:POSITION1 25.0E-3

Positions one of the horizontal cursors at 25.0 mV (assuming the vertical units are volts).

CURSOR:HBArs:POSITION2?

Might return  $-6.40E-2$ , indicating that the second horizontal bar cursor is at  $-64.0$  mV (assuming the vertical units are volts).

**CURSOR:HBArs:UNIts? (Query Only)**

Returns the vertical scale units for the selected cursor source waveform.

**Group**

Cursor

**Syntax**

CURSOR:HBArs:UNIts?

**Returns**

VOLts indicates volts from ground as the unit of measure.

DIVs indicates divisions as the unit of measure, with center of screen as 0 divisions and bottom of screen as  $-4$  divisions.

DECIBELS indicates decibels as the unit of measure, relative to a  $1 V_{rms}$  sine wave. (FFT only)

UNKNOWN indicates that Trigger View is active. This also generates event message 221. (Settings conflict)

AMPS indicates amps as the unit of measure. (TDS1000B, TDS2000B, and TPS2000 series only)



VOLTSSQUARED indicates volts squared ( $V^2$ ) as the unit of measure. (TDS1000B, TDS2000B, and TPS2000 series only)

AMPSSQUARED indicates amps squared ( $A^2$ ) as the unit of measure. (TDS1000B, TDS2000B, and TPS2000 series only)

VOLTSAMPS indicates voltage times current ( $V \cdot A$ ) as the unit of measure. (TDS1000B, TDS2000B, and TPS2000 series only)

---

**NOTE.** *Unknown units are represented by "?" in the oscilloscope readouts.*

---

### Examples

CURSOR:HBARS:UNITs?

Might return CURSOR:HBARS:UNITS VOLTS.

## CURSOR:SElect:SOURce

Sets or queries the waveform that is the source of the vertical and horizontal scale factors used in determining cursor values. This command is equivalent to setting the Source option in the Cursor menu.

### Group

Cursor

### Syntax

CURSOR:SElect:SOURce <wfm>

CURSOR:SElect:SOURce?

### Arguments

<wfm> specifies the waveform data source on which cursor measurements will be taken.

**Examples**

CURSor:SElect:SOUrce CH1

Selects channel 1.

CURSor:SElect:SOUrce?

Might return MATH.

**CURSor:VBArS? (Query Only)**

Returns the current vertical bar cursor horizontal position and units settings.

**Group**

Cursor

**Syntax**

CURSor:VBArS?

**Examples**

CURSor:VBArS?

Might return CURSOR:VBARS:UNITS SECONDS;  
POSITION1 1.00E-6;POSITION2 9.00E-6

**CURSor:VBArS:DELTA? (Query Only)**

Returns the time or frequency difference between the two vertical bar cursors. The units (seconds or Hertz) are specified by the CURSor:VBArS:UNIts command. If the cursor source is an FFT math waveform, CURSor:VBArS:DELTA is always in Hertz, regardless of the value set by CURSor:VBArS:UNIts.

---

**NOTE.** *If Trigger View is active, this query returns 9.9E37 and generates event 221 (Settings conflict).*

---

**Group**

Cursor

**Syntax**

CURSor:VBArS:DELTA?

**Returns**

&lt;NR3&gt;

**Examples**

CURSor:VBArS:DELTA?

Might return 8.92E-1, indicating that the time difference between the vertical bar cursors is 0.892 seconds.

## **CURSor:VBArS:HDELTA? (Query Only) (TDS1000B, TDS2000B, and TPS2000 Series Only)**

Returns the time or frequency difference between the two vertical bar cursors. The units (seconds or Hertz) are specified by the CURSor:VBArS:UNIIts command. If the cursor source is an FFT math waveform, CURSor:VBArS:DELTA is always in Hertz, regardless of the value set by CURSor:VBArS:UNIIts.

The command is identical to the CURSor:VBArS:DELTA? query. It is included for compatibility with the TDS3000 series.

---

**NOTE.** *If Trigger View is active, this query returns 9.9E37 and generates event 221 (Settings conflict).*

---

**Group**

Cursor

**Syntax**

CURSor:VBArS:HDELTA?

**Returns**

<NR3>

**Examples**

CURSOR:VBARS:HDELTA?

Might return 8.92E-1, indicating that the time difference between the vertical bar cursors is 0.892 seconds.

**CURSOR:VBARS:HPOS<x>? (Query Only)  
(TDS1000B, TDS2000B, and TPS2000 Series Only)**

Returns the waveform amplitude at the specified cursor position. The units are specified by the CURSOR:HBARS:UNITs query.

**Group**

Cursor

**Syntax**

CURSOR:VBARS:HPOS<x>?

**Arguments**

<x> specifies the cursor. Valid values are 1 and 2.

**Returns**

<NR3> indicates the amplitude value at the selected position.

**Examples**

CURSOR:VBARS:HPOS1?

Might return 1.37, indicating the value of one vertical bar tic.

**Related Commands**

CURSOR:HBARS:UNITs

## **CURSor:VBArS:POSITION<x>**

Positions a vertical bar cursor. The unit is specified by the CURSor:VBArS:UNItS command, and can be in units of seconds or frequency (Hertz). If the cursor source is an FFT math waveform, CURSor:VBArS:POSITION is always in Hertz, regardless of the value set by CURSor:VBArS:UNItS.

---

**NOTE.** *If Trigger View is active, the query form returns 9.9E37 and generates event 221 (Settings conflict).*

---

### **Group**

Cursor

### **Syntax**

CURSor:VBArS:POSITION<x> <NR3>

CURSor:VBArS:POSITION<x>?

### **Arguments**

<x> specifies which cursor to position. Correct values are 1 and 2.

<NR3> specifies the cursor position in the units specified by the CURSor:VBArS:UNItS command. The position is relative to the trigger except when the cursor source is a math FFT waveform. The cursor position is limited to the graticule whenever an attempt is made to move it outside the graticule.

### **Examples**

CURSor:VBArS:POSITION2 9.00E-6

Positions the second vertical bar cursor at 9  $\mu$ s.

CURSor:VBArS:POSITION1?

Might return 1.00E-6, indicating the first vertical bar cursor is at 1  $\mu$ s.

## **CURSor:VBArS:SLOPE? (Query Only)** **(TPS2000 Series with TPS2PWR1 Power Analysis Module Only)**

Returns the change in amplitude divided by the change in time, as measured between the two cursors. The units are derivable from the CURSor:HBArS:UNIts and CURSor:VBArS:UNIts queries.

### **Group**

Cursor

### **Syntax**

CURSor:VBArS:SLOPE?

### **Examples**

CURSor:VBArS:SLOPE?

Might return 1.22E3, indicating the slope measured between Vertical Cursor 1 and Vertical Cursor 2.

## **CURSor:VBArS:UNIts**

Sets or queries the units for the vertical bar cursors.

---

**NOTE.** When Trigger View is active, CURSor:VBArS:UNIts? generates event 221 (Settings conflict).

---

### **Group**

Cursor

### **Syntax**

CURSor:VBArS:UNIts { SECOnds | HERTz }

CURSor:VBArS:UNIts?

### **Arguments**

SECOnds specifies units of time.

HERTZ specifies units of frequency (reciprocal of time).

**Examples**

```
CURSOR:VBARS:UNITS SECONDS
```

Sets the units for the vertical bar cursors to seconds.

```
CURSOR:VBARS:UNITS?
```

Returns HERTZ when the vertical bar cursor units are Hertz.

**CURSOR:VBARS:VDELTA? (Query Only)  
(TDS1000B, TDS2000B, and TPS2000 Series Only)**

Returns the vertical (amplitude) difference between the two vertical bar cursors. The units are specified by the CURSOR:HARS:UNITS query.

**Group**

Cursor

**Syntax**

```
CURSOR:VBARS:VDELTA?
```

**Returns**

<NR3> indicates the vertical difference between the two vertical bar cursors.

**Examples**

```
CURSOR:VBARS:VDELTA?
```

Might return 1.064E+0, indicating that the vertical difference between the vertical bar cursor ticks is 1.064 units.

## CURVe

Transfers oscilloscope waveform data to and from the oscilloscope in binary or ASCII format. Each waveform that is transferred has an associated waveform preamble that contains information such as data format and scale. For information about the waveform preamble, refer to *WFMPre?* (*Query Only*) on page 2-244. The data format is specified by the `DATA:ENCdg` and `DATA:WIDth` commands.

The `CURVe?` query sends data from the oscilloscope to an external device. The data source is specified by the `DATA:SOURce` command. The first and last data points that are transferred are specified by the `DATA:STARt` and `DATA:STOP` commands.

---

**NOTE.** *If the waveform specified by the `DATA:SOURce` command is not displayed, the `CURVe?` query returns nothing, and generates events 2244 (Waveform requested is not activated) and 420 (Query UNTERMINATED).*

*In Scan Mode (Sec/di  $\geq 100$  ms and AUTO Mode), approximately one division's worth of data points will be invalid due to the blanked moving cursor.*

---

The `CURVe set` command sends waveform data from an external device to the oscilloscope. The data is stored in the stored waveform location specified by `DATA:DESTination`, starting with the data point specified by `DATA:STARt`. Only one waveform can be transferred at a time. The waveform will only be displayed if the reference waveform is displayed.

Refer to *Waveform Commands* on page 2-38 for a description of the waveform transfer process.

### Group

Waveform

### Syntax

`CURVe { <Block> | <asc curve> }`



CURVe?

### Arguments

<Block> is the waveform data in binary format. The waveform is formatted as: #<x><yyy><data> where <x> is the number of characters in <yyy>. For example, if <yyy> = 500, then <x> = 3, where <yyy> is the number of bytes to transfer. Refer to *Block Arguments* on page 2-13 for more information.

If width is 1, then all bytes on the bus are single data points. If width is 2, then all bytes on the bus are 2-byte pairs. Use the DATA:WIDTH command to set the width. <data> is the curve data.

<asc curve> is the waveform data in ASCII format. The format for ASCII data is <NR1>[,<NR1>...] where each <NR1> represents a data point.

### Examples

CURVe?

Might return the following ASCII data:

```
:CURVE 13,6,3,2,-1,-9,-14,-19,-29,-35,-67,-1,-78,-62,
-50,-31,-27,-7,0,12,29,39,45,43,41,47,41,38,33,26
```

### Related Commands

DATA, WFMPRe

## DATA

Sets or queries the format and location of the waveform data that is transferred with the CURVe command. Since DATA:DESTination and DATA:TARget are equivalent, only DATA:DESTination is returned by the DATA? query.

### Group

Waveform

### Syntax

```
DATA { INIT }
```

DATA?

**Arguments**

INIT reinitializes the waveform data settings to their factory defaults.

**Examples**

DATA INIT

Reinitializes the waveform data settings to their factory defaults:

```
DESTINATION = REFA (=TARGET)
ENCDG = RIBINARY
SOUrce = CH1
START = 1
STOP = 2500
WIDTH = 1
```

DATA?

Might return the following string:

```
:DATA:ENCDG RPBINARY;DESTINATION REFA; SOURCE REFB;START
1;STOP 500;WIDTH 2
```

**Related Commands**

CURVe, WAVFrm

**DATA:DESTination**

Sets or queries the reference memory location for storing oscilloscope waveform data that is transferred into the oscilloscope by the CURVe command. This command is identical to the DATA:TARGET command.

**Group**

Waveform

**Syntax**

DATA:DESTination REF<x>

DATA:DESTINATION?

**Arguments**

REF<x> is the reference memory location where the waveform will be stored.

**Examples**

DATA:DESTINATION REFA

Stores incoming waveform data into reference memory REFA.

DATA:DESTINATION?

Might return REFB as the waveform location that is currently selected.

**Related Commands**

CURV?

## DATA:ENCdg

Sets or queries the format of the waveform data. This command is equivalent to setting WFMPre:ENCdg, WFMPre:BN\_Fmt, and WFMPre:BYT\_Or as shown in Table 2-29 on page 2-88.

Setting the DATA:ENCdg value causes the corresponding WFMPre values to update. Setting the WFMPre value causes the corresponding DATA:ENCdg values to update.

**Group**

Waveform

**Syntax**

DATA:ENCdg { ASCIi | RIBinary | RPBinary | SRIBinary | SRPbinary }

DATA:ENCdg?

**Arguments**

ASCIi specifies the ASCII representation of signed integer (RIBinary) data. If this is the value at power-on, the WFMPre values for BN\_Fmt, BYT\_Or, and ENCdG are set as RP, MSB, and ASC respectively.

RIBinary specifies signed integer data-point representation with the most significant byte transferred first. This format results in the fastest data transfer rate when DATA:WIDth is set to 2.

The range is -128 to 127 when DATA:WIDth is 1. Zero is center screen. The range is -32768 to 32767 when DATA:WIDth is 2. The upper limit is one division above the top of the screen and the lower limit is one division below the bottom of the screen.

RPBinary specifies positive integer data-point representation with the most significant byte transferred first.

The range is 0 to 255 when DATA:WIDth is 1. Center screen is 127. The range is 0 to 65,535 when DATA:WIDth is 2. The upper limit is one division above the top of the screen and the lower limit is one division below the bottom of the screen.

SRIBinary is the same as RIBinary except that the byte order is swapped, meaning that the least significant byte is transferred first. This format is useful when transferring data to IBM compatible PCs.

SRPBinary is the same as RPBinary except that the byte order is swapped, meaning that the least significant byte is transferred first. This format is useful when transferring data to IBM compatible PCs.

Table 2-29 lists DATA and WFMPre parameter settings.

**Table 2-29: DATA and WFMPre parameter settings**

DATA:ENCdg setting	WFMPre settings		
	:ENCdg	:BN_Fmt	:BYT_Or
ASCIi	ASC	N/A	N/A
RIBinary	BIN	RI	MSB
RPBinary	BIN	RP	MSB

**Table 2-29: DATA and WFMPre parameter settings (Cont.)**

<b>DATA:ENCdg setting</b>	<b>:ENCdg</b>	<b>:BN_Fmt</b>	<b>:BYT_Or</b>
SRBinary	BIN	RI	LSB
SRPbinary	BIN	RP	LSB

**Examples**

DATA:ENCdg RPBINARY

Sets the data encoding format to be positive integer where the most significant byte is transferred first.

DATA:ENCdg?

Might return SRPBINARY for the format of the waveform data.

**Related Commands**

WFMPre:ENCdg, WFMPre:BN\_Fmt, WFMPre:BYT\_Or

**DATA:SOURce**

Sets or queries which waveform will be transferred from the oscilloscope by the CURVe?, WFMPre?, or WAVFrm? queries. You can transfer only one waveform at a time.

**Group**

Waveform

**Syntax**

DATA:SOURce <wfm>

DATA:SOURce?

**Arguments**

<wfm> is the location of the waveform data that will be transferred from the oscilloscope to the external device. Allowable values are CH<x>, MATH, and REF<x>.

### Examples

DATA:SOURce REFB

Specifies that reference waveform REFB will be transferred in the next CURVe? query.

DATA:SOURce?

Might return REFA, indicating the source for the waveform data that is transferred using the CURVe? command.

### Related Commands

CURVe?, WFMPRe?, WAVFrm?

## DATA:START

Sets or queries the starting data point for waveform data transfers. This command lets you transfer partial waveforms to and from the oscilloscope.

### Group

Waveform

### Syntax

DATA:START <NR1>

DATA:START?

### Arguments

<NR1> is an integer value that ranges from 1 to 2500, and specifies the first data point that will be transferred. Data is transferred from <NR1> to DATA:STOP or 2500, whichever is less. When DATA:STOP is less than DATA:START, the values are swapped internally for CURVe?.

### Examples

DATA:START 10

Specifies that the waveform transfer will begin with data point 10.

DATA:START?

Might return 214 as the first waveform data point that will be transferred.

**Related Commands**

CURVe?

**DATA:STOP**

Sets or queries the last data point in the waveform that will be transferred when executing the CURVe? command. This lets you transfer partial waveforms from the oscilloscope.

When using the CURVe command, the oscilloscope stops reading data when there is no more data to read or when the 2500 data point limit is reached.

**Group**

Waveform

**Syntax**

DATA:STOP <NR1>

DATA:STOP?

**Arguments**

<NR1> is an integer value that ranges from 1 to 2500, and specifies the last data point that will be transferred. When DATA:STOP is less than DATA:START, the values are swapped internally for CURVe?.

If you always want to transfer complete waveforms, set DATA:START to 1 and DATA:STOP to 2500.

**Examples**

DATA:STOP 150

Specifies that the waveform transfer will stop at data point 150.

DATA:STOP?

Might return 285 as the last data point that will be transferred.

### **Related Commands**

CURVe?

## **DATA:TARget**

Sets or queries the location for storing waveform data transferred from an external device to the oscilloscope when executing the CURVe command. This command is equivalent to the DATA:DES-Tination command and is included here for compatibility with older Tektronix oscilloscopes.

## **DATA:WIDth**

Sets the number of bytes per waveform data point to be transferred when executing the CURVe command. (Changing DATA:WIDth may change the following WFMPre parameters: BIT\_Nr, BYT\_Nr, YMULT, YOFF, and YZErO.)

### **Group**

Waveform

### **Syntax**

DATA:WIDth <NR1>

DATA:WIDth?

### **Arguments**

<NR1> = 1 sets the number of bytes per waveform data point to 1 byte (8 bits).

<NR1> = 2 sets the number of bytes per waveform data point to 2 bytes (16 bits). If DATA:WIDth is set to 2, the least significant byte is always zero.

### **Examples**

DATA:WIDth 1

Sets the data width to 1 byte per data point for CURVe data.



**Related Commands**

CURVe, WFMPre:BIT\_Nr, WFMPre:BYT\_Nr

**DATE****(TDS2MEM, TDS1000B, TDS2000B, and TPS2000 Series Only)**

Sets or queries the oscilloscope date value. The oscilloscope uses these values to time stamp files saved to the CompactFlash card (TDS2MEM and TPS2000 series only), or to the USB flash drive (TDS1000B and TDS2000B series only), as well as show the time and date on the oscilloscope display.

**Group**

Miscellaneous

**Syntax**

DATE <QString>

DATE?

**Arguments**

<QString> is a date in the form “yyyy-mm-dd”.

**Examples**

DATE "2003-05-06"

Sets the date to May 6th, 2003.

**Related Commands**

TIME

**\*DDT**

Lets you specify a command or a list of commands to execute when the oscilloscope receives a \*TRG command, or the GET GPIB interface message, or the USBTMC TRIGGER message. This is a special alias that \*TRG uses.

TRG command, or the GET GPIB interface message, or the USBTMC TRIGGER message.

### Group

Miscellaneous

### Syntax

```
*DDT { <Block> | <QString> }
```

\*DDT?

### Arguments

<Block> or <QString> is a complete sequence of program messages. The messages must contain only valid commands that must be separated by semicolons and must follow all rules for concatenating commands (refer to page 2-6). The sequence must be ≤80 characters. <Block> format is always returned as a query response.

### Examples

```
*DDT #217ACquire:STATE RUN<EOI>
```

Specifies that the acquisition system will be started each time a \*TRG command is sent.

### Related Commands

\*TRG

## DESE

Sets and queries the bits in the Device Event Status Enable Register (DESER). The DESER is the mask that determines whether or not events are reported to the Standard Event Status Register (SESER), and entered into the Event Queue. Refer to the *Status and Events* chapter on page 3-1 for more information.

### Group

Status and Error

**Syntax**

DESE <NR1>

DESE?

**Arguments**

<NR1> is an integer value in the range from 0 to 255. The binary bits of DESER are set according to this value. For example, DESE 209 sets the DESER to the binary value 11010001 (that is, the most significant bit in the register is set to 1, the next most significant bit to 1, the next bit to 0, and so on).

The power-on default for DESER is all bits set to 1 if \*PSC is 1. If \*PSC is 0, the DESER maintains its value through a power cycle.

---

**NOTE.** *Setting DESER and ESER to the same value allows only those codes to be entered into the Event Queue and summarized on the ESB bit (bit 5) of the Status Byte Register. Use the \*ESE command to set ESER. For more information on event handling, refer to the Status and Events chapter.*

---

**Examples**

DESE 209

Sets the DESER to binary 11010001, which enables the PON, URQ, EXE, and OPC bits.

DESE?

Might return the following string :DESE 186, showing that DESER contains the binary value 10111010.

**Related Commands**

\*CLS, \*ESE, \*ESR?, EVENT?, EVMsg?, \*SRE, \*STB?

## **DIAG:RESULT:FLAG? (Query Only)**

Returns the Pass/Fail status from the last diagnostic test sequence execution (those run automatically at power on, or those requested through the Service Menu). Use the DIAG:RESULT:LOG? query to determine which test(s) has failed.

### **Group**

Calibration and Diagnostic

### **Syntax**

DIAG:RESULT:FLAG?

### **Returns**

PASS means that the oscilloscope passes all diagnostic tests.

FAIL means that the oscilloscope has failed at least one of the diagnostic tests.

### **Examples**

DIAG:RESULT:FLAG?

Returns either PASS or FAIL.

## **DIAG:RESULT:LOG? (Query Only)**

Returns the internal results log from the last diagnostic test sequence execution (those run automatically at power on, or those requested through the Service Menu). The list contains all modules and module interfaces that were tested along with the pass or fail status of each.

### **Group**

Calibration and Diagnostic

### **Syntax**

DIAG:RESULT:LOG?

**Returns**

<QString> in the following format:

<Status>,<Module name>[,<Status>,<Module name>...]

**Examples**

DIAG:RESULT:LOG?

Might return "pass-CPU, pass-ACQ1, pass-EXTENSION" for power-up diagnostics.

## DISplay? (Query Only)

Returns the current display settings.

**Group**

Display

**Syntax**

DISplay?

**Returns**

The current display settings

**Examples**

DISplay?

Might return :DISPLAY:FORMAT YT;STYLE VECTORS;  
PERSISTENCE OFF;CONTRAST 50; INVERT OFF

## DISplay:BRIGhTness (TPS2000 Series Only)

Sets or queries the brightness of the LCD display.

**Group**

Display

**Syntax**

DISplay:BRIGHTness { 100 | 90 | 75 | 60 | 45 | 30  
| 15 | 0 }

DISplay:BRIGHTness?

**Arguments**

Sets the display brightness in percent.

**Examples**

DISPLAY:BRIGHTNESS 75

Sets the display brightness to 75%.

**Related Commands**

DISplay:CONTRast

DISplay:INVert

## DISplay:CONTRast

Sets or queries the contrast of the LCD display. This command is equivalent to setting the Contrast option in the Display menu.

**Group**

Display

**Syntax**

DISplay:CONTRast <NR1>

DISplay:CONTRast?

**Arguments**

<NR1> is an integer in the range from 1 through 100. The larger the value, the greater the screen contrast.

**Examples**

DISplay:CONTRast 63

Sets the display contrast to 63%.

**Related Commands**

DISplay:INVert,  
DISplay:BRIGHtness

**DISplay:FORMat**

Sets or queries the oscilloscope display format. This command is equivalent to setting the Format option in the Display menu.

**Group**

Display

**Syntax**

DISplay:FORMat { XY | YT }

DISplay:FORMat?

**Arguments**

XY displays the voltage of channel 1 (horizontal axis) against the voltage of channel 2 (vertical axis).

---

**NOTE.** *Setting the display format to XY turns cursors off. Sending the CURSor:FUNcTION command when the display format is XY causes the oscilloscope to generate event 221 (Settings conflict) and leaves the display in XY format.*

---

YT sets the display to vertical values versus time format and is the default mode.

**Examples**

DISplay:FORMat YT

Selects a voltage versus time format for the display.

DISplay:FORMat?

Might return XY for the display format.

## DISplay:INVert

Sets or queries the TDS1000 and TDS1000B display format. This command is equivalent to setting the Display Style option in the Utility Options menu for the TDS1000 and TDS1000B series.

The TDS2000, TDS2000B, and TPS2000 series do not have a Display Style option, but accept the DISplay:INVert command and query for compatibility. The query always returns OFF.

The TDS200 series is not supported.

### Group

Display

### Syntax

DISplay:INVert { ON | OFF }

DISplay:INVert?

### Arguments

OFF chooses a default black-on-white display.

ON chooses a white-on-black display.

### Examples

DISplay:INVert?

Might return OFF.

## DISplay:PERsistence

Sets the length of time that data points are displayed.

### Group

Display

### Syntax

DISplay:PERsistence { 1 | 2 | 5 | INF | OFF }



DISplay:PERSistence?

**Arguments**

1 | 2 | 5 specifies the length, in seconds, that the waveform points are displayed on the screen.

INF specifies infinite persistence.

OFF specifies that persistence is turned off.

**Returns**

0 means that the persistence is turned off.

2 or 5 means that the persistence is set to two or five seconds.

99 means that the persistence is set to infinite.

**Examples**

DISplay:PERSistence 5

Specifies that the waveform points are displayed on the screen for five seconds before they fade.

## DISplay:STYle

Selects how to display the waveform data. This command is equivalent to setting the Type option in the Display menu.

**Group**

Display

**Syntax**

DISplay:STYle { DOTs | VECTors }

DISplay:STYle?

**Arguments**

DOTs displays individual data points.

VECTors connects adjacent data points.

**Examples**

DISPlay:STYle VEC

Sets the display to connect adjacent data points.

DISPlay:STYle?

Might return DOTS indicating that the display shows individual waveform data points.

**ERRLOG:FIRST? (Query Only)**

Returns the first entry in the error log, or an empty string if the error log is empty. Use this command along with ERRLOG:NEXT? to retrieve error log messages.

**Group**

Calibration and Diagnostic

**Syntax**

ERRLOG:FIRST?

**Returns**

Refer to the service manual for your oscilloscope for information about error log message format.

**ERRLOG:NEXT? (Query Only)**

Returns the next entry in the error log, or an empty string if the error log is empty or you have reached the end of the log. To start at the top of the error log, run the ERRLOG:FIRST? query to return the first error log message. Then use the ERRLOG:NEXT? query to step through the error log.

**Group**

Calibration and Diagnostic

**Syntax**

ERRLOG:NEXT?

**Returns**

Refer to the service manual for your oscilloscope for information about error log message format.

**\*ESE**

Sets and queries the bits in the Event Status Enable Register (ESER). The ESER prevents events from being reported to the Status Byte Register (STB). Refer to the *Status and Events* chapter on page 3-1 for more information.

**Group**

Status and Error

**Syntax**

\*ESE <NR1>

\*ESE?

**Arguments**

<NR1> is a value in the range from 0 through 255. The binary bits of the ESER are set according to this value.

The power-on default for ESER is 0 if \*PSC is 1. If \*PSC is 0, the ESER maintains its value through a power cycle.

---

**NOTE.** *Setting the DESER and the ESER to the same value allows only those codes to be entered into the Event Queue and summarized on the ESB bit (bit 5) of the Status Byte Register. Use the DESE command to set the DESER. Refer to Event Handling Sequence on page 3-8 for more information.*

---

**Examples**

\*ESE 209

Sets the ESER to binary 11010001, which enables the PON, URQ, EXE, and OPC bits.

\*ESE?

Might return the string \*ESE 186, showing that the ESER contains the binary value 10111010.

**Related Commands**

\*CLS, DESE, \*ESR?, EVENT?, EVMsg? \*SRE, \*STB?

**\*ESR? (Query Only)**

Returns the contents of the Standard Event Status Register (SESR). \*ESR? also clears the SESR (since reading the SESR clears it). Refer to the *Status and Events* chapter on page 3-1 for more information.

**Group**

Status and Error

**Syntax**

\*ESR?

**Returns**

Contents of the Standard Event Status Register.

**Examples**

\*ESR?

Might return the value 213, showing that the SESR contains binary 11010101.

**Related Commands**

ALLEv?, \*CLS, DESE, \*ESE, EVENT?, EVMsg?, \*OPC, \*SRE, \*STB?

## EVENT? (Query Only)

Returns from the Event Queue an event code that provides information about the results of the last \*ESR? read. EVENT? also removes the returned value from the Event Queue. Refer to *Event Handling Sequence* on page 3-8 for more information.

### Group

Status and Error

### Syntax

EVENT?

### Returns

<NR1>

### Examples

EVENT?

Might return :EVENT 110, indicating there was an error in a command header.

### Related Commands

ALLEv?, \*CLS, DESE, \*ESE, \*ESR?, EVMsg?, \*SRE, \*STB?

## EVMsg? (Query Only)

Removes from the Event Queue a single event code associated with the results of the last \*ESR? read, and returns the event code along with an explanatory message. Refer to *Event Handling Sequence* on page 3-8 for more information.

### Group

Status and Error

### Syntax

EVMsg?

### Returns

The event code and message in the following format:

```
<Event Code><Comma><QString>[<Event Code><Comma>  
<QString>...]
```

```
<QString>::= <Message>;[<Command>]
```

where <Command> is the command that caused the error and may be returned when a command error is detected by the oscilloscope. As much of the command as possible is returned without exceeding the 60 character limit of the <Message> and <Command> strings combined. The command string is right-justified.

### Examples

EVMsg?

Might return the message :EVMSG 110, "Command header error"

### Related Commands

ALLEv?, \*CLS, DESE, \*ESE, \*ESR?, EVENT?, \*SRE, \*STB?

## EVQty? (Query Only)

Returns the number of event codes that are in the Event Queue. This is useful when using ALLEv? since it lets you know exactly how many events will be returned.

### Group

Status and Error

### Syntax

EVQty?

### Returns

```
<NR1>
```

### Examples

EVQty?

Might return 3 as the number of event codes in the Event Queue.

**Related Commands**

ALLEv?, EVENT?, EVMsg?

**FACTory (Set Only)**

Resets the oscilloscope to its factory default settings. Refer to *Appendix B: Factory Setup* for a list of the factory default settings.

**Group**

Miscellaneous

**Syntax**

FACTory

Setting the oscilloscope to factory default has the following impact on the programming interface:

- Clears the Event Status Enable Register
- Clears the Service Request Enable Register
- Sets the Device Event Status Enable Register to 255
- Sets the Power On Status Clear Flag to TRUE
- Enables all Command Headers (HEADer ON)
- Sets the macro defined by \*DDT to a “zero-length field”
- Clears the pending operation flag and associated operations
- Performs the equivalent of DATA INIT

The FACTory command does not alter the following items:

- State of the RS-232, GPIB, or USB interface
- Selected GPIB address
- Front panel LOCK state
- Verbose state
- Display Brightness, TPS2000 series only
- Display Contrast, TDS1000, TDS2000, TDS1000B, TDS2000B, and TPS2000 series

- Calibration data that affects device specifications
- Stored settings
- Stored waveforms or data
- Hard copy parameters
- Display messages language selection
- Current page of paged menus
- SAVE:IMAGE:FILEFORMAT
- FILESYSTEM:CWD

**Examples**

Refer to *Appendix B: Factory Setup*.

**Related Commands**

\*PSC, \*RCL, RECALL:SETUp, \*RST, \*SAV, SAVE:SETUp,  
SAVE:IMAge:FILEFormat, FILESystem:CWD

**FILESystem? (Query Only)**

**(TDS2MEM, TDS1000B, TDS2000B, and TPS2000 Series Only)**

Returns the current working directory and amount of free space on the CompactFlash card (TDS2MEM and TPS2000 series only), or on the USB flash drive (TDS1000B and TDS2000B series only).

**Group**

File system

**Syntax**

FILESystem?

**Examples**

FILESystem?

Might return FILESYSTEM:CWD "A:\";FREESPACE 29691904.



**Related Commands**

FILESystem:CWD

**FILESystem:CWD  
(TDS2MEM, TDS1000B, TDS2000B, and TPS2000 Series Only)**

Sets or queries the current working folder path on the CompactFlash card (TDS2MEM and TPS2000 series only), or on the USB flash drive (TDS1000B and TDS2000B series only).

**Group**

File system

**Syntax**

FILESystem:CWD &lt;folder path&gt;

FILESystem:CWD?

**Arguments**

<folder path> is a quoted string that defines the folder name and path. The root folder is A:\. If there is no CompactFlash card or USB flash drive installed in the oscilloscope, the query returns a null string. This command is the easiest way for a program to check for the presence of a CompactFlash card or a USB flash drive.

**Examples**

FILESystem:CWD "A:\MYDIR"

Sets the current working folder to MYDIR.

FILESystem:CWD?

Might return FILESYSTEM:CWD "A:\PROD-TST", if PROD-TST is the current working folder.

## **FILESystem:DELEte (Set Only)**

### **(TDS2MEM, TDS1000B, TDS2000B, and TPS2000 Series Only)**

Deletes the specified file name from the CompactFlash card (TDS2MEM and TPS2000 series only), or from the USB flash drive (TDS1000B and TDS2000B series only).

#### **Group**

File system

#### **Syntax**

FILESystem:DELEte <file path>

#### **Arguments**

<file path> is a quoted string that defines the folder path and file name of the file to delete. The root directory is A:\. You cannot use an asterisk (\*) wild card character to delete multiple files. For example, FILESYSTEM:DELETE "A:\PROD-TST\\*.SET" is not valid.

#### **Examples**

```
FILESystem:DELEte "A:\PROD-TST\1ST-RUN\TESTFREQ.SET"
```

Deletes the setup file TESTFREQ.SET from the CompactFlash card (TDS2MEM and TPS2000 series only), or from the USB flash drive (TDS1000B and TDS2000B series only).

#### **Related Commands**

FILESystem:RMDir

## **FILESystem:DIR? (Query Only)**

### **(TDS2MEM, TDS1000B, TDS2000B, and TPS2000 Series Only)**

Returns a list of strings. Each string contains the name of a file or folder in the current working folder on the CompactFlash card (TDS2MEM and TPS2000 series only), or on the USB flash drive (TDS1000B and TDS2000B series only).

**Group**

File system

**Syntax**

FILESystem:DIR?

**Examples**

FILESystem:DIR?

Might return FILESYSTEM:DIR "ALL000", "ALL001".

**Related Commands**

FILESystem:CWD

## **FILESystem:FORMat (Set Only)** **(TDS2MEM, TDS1000B, TDS2000B, and TPS2000 Series Only)**

Formats the CompactFlash card (TDS2MEM and TPS2000 series only) or the USB flash drive (TDS1000B and TDS2000B series only). Formatting a CompactFlash card or a USB flash drive deletes all files and folders on the memory device.

**Group**

File system

**Syntax**

FILESystem:FORMat <drive>

**Arguments**

<drive> is a quoted string that sets the CompactFlash card (TDS2MEM and TPS2000 series only), or the USB flash drive (TDS1000B and TDS2000B series only) to format. Valid drive values are "A:" and "a:". Using any other drive value returns an error.

---

**NOTE.** *The oscilloscope reads the internal structure of the CompactFlash card or the USB flash drive every time the card is inserted. The time to complete the read depends on the size of the card and how it was formatted. To significantly shorten the initial read time of 64 MB and larger cards, format the card or flash drive as FAT32 with your personal computer.*

---

**Examples**

FILESystem:FORMat "A:"

Formats the CompactFlash card, or the USB flash drive.

**FILESystem:FREEspace? (Query Only)  
(TDS2MEM, TDS1000B, TDS2000B, and TPS2000 Series Only)**

Returns a numeric value, in bytes, of the memory space available on the CompactFlash card (TDS2MEM and TPS2000 series only), or on the USB flash drive (TDS1000B and TDS2000B series only). This command returns 0 (zero) when there is no memory device installed in the oscilloscope.

**Group**

File system

**Syntax**

FILESystem:FREEspace?

**Examples**

FILESystem:FREEspace?

Might return 6242501.

## **FILESystem:MKDir (Set Only)** **(TDS2MEM, TDS1000B, TDS2000B, and TPS2000 Series Only)**

Creates a folder at the specified location on the CompactFlash card (TDS2MEM and TPS2000 series only), or on the USB flash drive (TDS1000B and TDS2000B series only).

### **Group**

File system

### **Syntax**

FILESystem:MKDir <folder path>

### **Arguments**

<folder path> is a quoted string that defines the location and name of the folder to create. If you do not specify a path to the folder, the oscilloscope creates the folder in the current working directory. The current directory refers to the name of a folder as returned by the FILESystem:CWD query.

Folder names must follow the same rules as file names. See page 2-20.

### **Examples**

```
FILESystem:MKDir "A:\PROD-TST\2ND-RUN"
```

Creates a new folder 2ND-RUN in the existing folder A:\PROD-TST.

```
FILESystem:MKDir "VID-EVAL"
```

Creates a new folder VID-EVAL in the current working folder.

### **Related Commands**

FILESystem:CWD; FILESystem:RMDir

## **FILESystem:REName (Set Only)** **(TDS2MEM, TDS1000B, TDS2000B, and TPS2000 Series Only)**

Assigns a new name to a file or folder on the CompactFlash card (TDS2MEM and TPS2000 series only), or on the USB flash drive (TDS1000B and TDS2000B series only). You can also move a file or folder by specifying the new name in a different folder.

### **Group**

File system

### **Syntax**

FILESystem:REName <old filepath>,<new filepath>

### **Arguments**

<old filepath> is a quoted string that defines the path and name of the file to rename. If you do not specify a path to the file, the oscilloscope looks for the file in the current working folder. The current directory refers to the name of a folder as returned by the FILESystem:CWD query.

<new filepath> is a quoted string that defines the path and new name of the file. If you do not specify a path to a folder, the oscilloscope places the renamed file into the current working folder.

See page 2–20 for file naming rules.

### **Examples**

```
FILESystem:REName "VID-CH1.BMP", "VID-EVAL.BMP"
```

Renames the file VID-CH1.BMP to VID-EVAL.BMP in the current working folder.

```
FILESystem:REName "VID-EVAL.BMP", "A:\PROD-TST  
\VID-EVAL.BMP"
```

Moves the file VID-EVAL.BMP to the folder A:\PROD-TST.

See page 2–20 for file and folder name rules.

**Related Commands**

FILESystem:CWD; FILESystem:RMDir

**FILESystem:RMDir (Set Only)**  
**(TDS2MEM, TDS1000B, TDS2000B, and TPS2000 Series Only)**

Deletes a folder at the specified location on the CompactFlash card (TDS2MEM and TPS2000 series only), or on the USB flash drive (TDS1000B and TDS2000B series only).

**Group**

File system

**Syntax**

FILESystem:RMDir &lt;folder path&gt;

**Arguments**

<folder path> is a quoted string that defines the location and name of the folder to delete. If you do not specify a path to the folder, the oscilloscope deletes the specified folder in the current working folder. The current folder refers to the name of a folder as returned by the FILESystem:CWD query.

---

**NOTE.** *A folder must be empty before you can delete it.*

---

**Examples**

FILESystem:RMDir "A:\PROD-TST\2ND-RUN"

Deletes the folder 2ND-RUN in the folder A:\PROD-TST.

FILESystem:RMDir "VID-EVAL"

Deletes the folder VID-EVAL in the current working folder.

**Related Commands**

FILESystem:CWD; FILESystem:MKDir

## HARDCopy

Sends a copy of the screen display followed by an EOI to the port specified by HARDCopy:PORT. The format and layout of the output is specified with the HARDCopy:FORMat and HARDCopy:LAYout commands. This command is equivalent to pressing the PRINT button on the front panel of the TDS1000, TDS2000, TDS1000B, TDS2000B, and TPS2000 series or the HARDCOPY button on the front panel of the TDS200 series. :

---

**NOTE.** *The TDS1000B and TDS2000B series support the HARDCopy:PORT commands and queries for compatibility with programs designed for earlier oscilloscopes. (For TDS1000B and TDS2000B series, you can only set the port to USB and the query will always return USB).*

*The TDS1000B and TDS2000B oscilloscopes provide PictBridge printer support through a USB Device port on the rear of the oscilloscope. See the PictBridge commands on page 2-27.*

---

HARDCopy? returns format, layout, and port information.

---

**NOTE.** *This command is not IEEE Std 488.2-1987 compatible.*

---

### Group

Hard copy

### Syntax

HARDCopy { ABOrt | START }

HARDCopy?

### Arguments

ABOrt terminates the hard copy output in process.



---

**NOTE.** *DCL does not clear the output queue once a hard copy is in process. The only way to abort the hard copy process is to send the HARDCopy ABOrt command. The output queue can then be cleared by sending a DCL message.*

---

START initiates a screen copy that is sent to the port specified by the HARDCOPY:PORT command.

---

**NOTE.** *Use the \*WAI command between HARDCopy START commands to ensure that the first hard copy is complete before starting another.*

---

### Examples

HARDCopy ABOrt

Stops any hard copy output that is in process.

### Related Commands

\*WAI

## HARDCopy:BUTTON (TDS2MEM, TDS1000B, TDS2000B, and TPS2000 Series Only)

Sets or returns the current PRINT front-panel button function. :

---

**NOTE.** *This command does not affect the HARDCopy START command.*

---

### Group

Hard copy

### Syntax

HARDCopy:BUTTON { PRINTS | SAVESA11 | SAVESImage }

HARDCopy:BUTTON?

### Arguments

PRINTS sets the PRINT button to send the screen image to the current printer port, using the current printer format.

SAVESAll sets the PRINT button to save all active oscilloscope information (waveforms, screen image, settings) to files in a new subfolder in the current CompactFlash card folder (TDS2MEM and TPS2000 series only), or in the current USB flash drive folder (TDS1000B and TDS2000B series only).

SAVESImage sets the PRINT button to save the screen image to a file on the CompactFlash card or on the USB flash drive.

### Examples

HARDCopy:BUTTON SAVESImage

Sets the front-panel PRINT button to save the screen image to a file when pushed.

## HARDCopy:FORMat

Sets the hard copy output data format. This command is the same as setting the Format option in the UTILITY > Options > Hard Copy or Printer Setup menu, depending on your oscilloscope model.

---

**NOTE.** *The TDS1000B and TDS2000B oscilloscopes provide PictBridge printer support through a USB Device port on the rear of the oscilloscope. See the PictBridge commands on page 2-27.*

*The HARDCopy:FORMat is always Exif/JPEG when printing to a PictBridge printer.*

*For TDS1000B and TDS2000B oscilloscopes, use the HARDCopy:FORMat command to set the file format when saving an image to a USB flash drive or over USBTMC.*

---

**Group**

Hard copy

**Syntax**

```
HARDCopy:FORMat { BMP | BUBBLEJet | DESKJet | DPU3445 |  
DPU411 | DPU412 | EPSC60 | EPSC80 | EPSIMAGE | EPSOn |  
INTERLEAF | JPEG | LASERJet | PCX | RLE | THINKjet |  
TIFF }
```

HARDCopy:FORMat?

**Arguments**

BMP sets the hard copy output format to Microsoft Windows Bitmap format.

BUBBLEJet (TDS1000, TDS2000, and TPS2000 series only) sets the hard copy output format to Canon Bubblejet format.

DESKjet (TDS200, TDS1000, TDS2000, and TPS2000 series only) sets the hard copy output format to HP DeskJet format.

DPU3445 (TDS1000, TDS2000, and TPS2000 series only), DPU411, and DPU412 set the hard copy output format to Seiko formats.

EPSC60 sets the hard copy output to Epson C60 model printer format. Available on TDS1000 and TDS2000 models with firmware versions 2.12 or greater (two channel models) or 4.12 or greater (four channel models), any firmware version with a TDS2CMA, TDS2CMAX, or TDS2MEM module installed, or the TPS2000 series.

EPSC80 sets the hard copy output to Epson C80 model printer format. Available on TDS1000 and TDS2000 series models with firmware versions 2.12 or greater (two channel models) or 4.12 or greater (four channel models), any firmware version with a TDS2CMA, TDS2CMAX, or TDS2MEM module installed, or the TPS2000 series.

EPSIMAGE sets the hard copy format data to Postscript format.

EPSOn (TDS200, TDS1000, TDS2000, and TPS2000 series only) sets the hard copy output format to 9-pin or 24-pin dot matrix printer format.

INTERLEAF (TDS200 series only) sets the hard copy format data to Interleaf file format.

JPEG (TDS1000B and TDS2000B series only) sets the hard copy format to JPEG format.

LASERJet (TDS200, TDS1000, TDS2000, and TPS2000 series only) sets the hard copy output format to HP LaserJet II printer format.

PCX sets the hard copy output format to DOS Paintbrush format.

RLE (TDS1000, TDS2000, TDS1000B, TDS2000B, and TPS2000 series only) sets the hard copy output format to Windows color image file format (\*.RLE). Use RLE for faster transfer rates and smaller resulting files. Many programs that recognize .BMP files also recognize .RLE files.

THINKjet (TDS200, TDS1000, TDS2000, and TPS2000 series only) sets the hard copy output format to HP Thinkjet printer format.

TIFF (TDS1000, TDS2000, and TPS2000 series only) sets the hard copy output format to Tagged Image File Format.

### **Examples**

HARDCopy:FORMat LASERJet

Sets the hard copy output format to LaserJet II.

HARDCopy:FORMat?

Might return EPSON as the hard copy output format.

## **HARDCopy:INKSaver**

### **(TDS2000, TDS1000B, TDS2000B, and TPS2000 Series Only)**

Sets the TDS2000, TDS1000B, TDS2000B, and TPS2000 Ink Saver feature to on or off. This command is equivalent to setting the Ink Saver option in the UTILITY > Options > Printer Setup menu of TDS2000, TDS1000B, TDS2000B, and TPS2000 oscilloscopes. This command has no effect in TDS1000 oscilloscope, but is accepted for compatibility.

---

**NOTE.** *This command also controls the format of saved images.*

---

**Group**

Hard copy

**Syntax**

HARDCopy:INKSaver { ON | OFF }

HARDCopy:INKSaver?

**Arguments**

OFF prints “WYSIWYG” hard copies, with color waveforms on a black background.

ON (default) prints color waveforms on a white background.

**Examples**

HARDCopy:INKSaver?

Might return ON

## HARDCopy:LAYout

Selects the printing orientation. This command is equivalent to setting the Layout option in the UTILITY > Options > Hard Copy Setup menu.

---

**NOTE.** *This command also controls the format of saved images.*

---

*Only TDS1000B and TDS2000B oscilloscopes are compatible with PictBridge printers. When printing to a PictBridge printer, the printer determines the orientation and will override the argument.*

---

**Group**

Hard copy

**Syntax**

HARDCopy:LAYout { LANDscape | PORTRait }

HARDCopy:LAYout?

**Arguments**

LANDscape specifies that the bottom of the hard copy is along the long side of the piece of paper.

PORTRait specifies that the bottom of the hard copy is along the short side of the piece of paper. This is the standard format.

**Examples**

HARDCopy:LAYout?

Might return PORTRAIT as the page layout format of the hard copy output.

## HARDCopy:PORT

Selects where to send the hard copy data when the oscilloscope receives the next HARDCOPY START command. This command is equivalent to setting the Port option in the UTILITY > Options > Hard Copy Setup menu.

---

**NOTE.** *The TDS1000B and TDS2000B oscilloscopes provide PictBridge printer support through a USB Device port on the rear of the oscilloscope. See the PictBridge commands on page 2-27.*

---

**Group**

Hard copy

**Syntax**

HARDCopy:PORT { CENtronics | RS232 | GPIb | USB }

HARDCopy:PORT?

**Arguments**

CENtronic s specifies that the hard copy data is sent out the Centronics port.

RS232 specifies that the hard copy data is sent out the RS232 port. If you set the port to RS232, and use it to transfer a BMP screen image format file to a PC or other computer, observe the following precaution that the BMP file is a binary file, and therefore does not use linefeeds (hexadecimal 0a) as a terminator.

There are two ways to work around this limitation:

- Write your controller program to use the byte count information in the BMP file header.
- Set your RS232 program's time out value to a large enough value to guarantee that the program does not time out before completing the data transfer. For example, to transfer an 80 kB file at 9600 baud, set the transfer program time out to 300 seconds.

GPIb specifies that the hard copy data is sent to the GPIB port. This argument is available on instruments with a TDS2CM, TDSCMA, TDSCMAX, or TDSMM module installed.

USB specifies that the hard copy data is sent to the USB Device port on the back of a TDS1000B or TDS2000B series oscilloscope only.

**Examples**

HARDCopy:PORT?

Might return RS232 as the selected hard copy output port.

## **HARmonics? (Query Only)** **(TPS2000 Series with TPS2PWR1 Power Analysis Module Only)**

Returns settings for the HARmonic commands.

**Group**

Power Measurement

**Syntax**

HARmonics?

### Examples

HARmonics?

Might return :HARMONICS:ENABLE ON;SETUP AUTOMATIC;SHOW ALL;SELECT 1;SOURCE CH1, indicating that the oscilloscope is acquiring and showing all harmonics and measuring the first harmonic from channel 1.

## HARmonics:ENABLE

### (TPS2000 Series with TPS2PWR1 Power Analysis Module Only)

Turns the harmonics measurement on or off.

### Group

Power Measurement

### Syntax

HARmonics:ENABLe { ON | OFF }

HARmonics:ENABLe?

### Arguments

ON causes the oscilloscope to display the harmonics menu and turn on Harmonics analysis.

OFF causes the oscilloscope to display the CH1 menu.

### Examples

HARmonics:ENABLe ON

Causes the oscilloscope to display the harmonics menu.

HARmonics:ENABLe?

Might return OFF, indicating that the harmonics menu is turned off.

## HARmonics:FREquency? (Query Only)

### (TPS2000 Series with TPS2PWR1 Power Analysis Module Only)

Returns the frequency of the selected harmonic.



**Group**

Power Measurement

**Syntax**

HARmonics:FREquency?

**Returns**

&lt;NR3&gt;

**Examples**

HARmonics:FREquency?

Might return 3.60576923E2, indicating that the frequency of the selected harmonic is 360.57 Hz.

**Related Commands**

HARmonics:SElect

## **HARmonics:HRMS? (Query Only)** **(TPS2000 Series with TPS2PWR1 Power Analysis Module Only)**

Returns the RMS amplitude of the selected harmonic in the same units as the source waveform.

**Group**

Power Measurement

**Syntax**

HARmonics:HRMS?

**Returns**

&lt;NR3&gt;

**Examples**

HARmonics:HMRS?

Might return 6.18267221409E-1.

**Related Commands**

HARmonics:SElect

**HARmonics:PERCent? (Query Only)**  
**(TPS2000 Series with TPS2PWR1 Power Analysis Module Only)**

Returns the amplitude of the selected harmonic as a percent of the fundamental.

**Group**

Power Measurement

**Syntax**

HARmonics:PERCent?

**Examples**

HARmonics:PERCent?

Might return 5.0, indicating that the amplitude of the selected harmonic as a percent of the fundamental frequency is 5.0%.

**Related Commands**

HARmonics:SElect

**HARmonics:PHase? (Query Only)**  
**(TPS2000 Series with TPS2PWR1 Power Analysis Module Only)**

Returns the phase of the selected harmonic, in degrees, relative to the fundamental.

**Group**

Power Measurement

**Syntax**

HARmonics:PHase?

**Examples**

HARmonics:PHase?

Might return 45.0, indicating that the phase of the selected harmonic, relative to the fundamental frequency, is 45 degrees.

**Related Commands**

HARmonics:SElect

**HARmonics:RMS? (Query Only)**  
**(TPS2000 Series with TPS2PWR1 Power Analysis Module Only)**

Returns the amplitude of the harmonics source in RMS. This may be  $V_{rms}$  or  $I_{rms}$  depending on the type of source waveform.

**Group**

Power Measurement

**Syntax**

HARmonics:RMS?

**Examples**

HARmonics:RMS?

Might return 120.0, indicating that the RMS value is 120 volts RMS.

**HARmonics:SAVE (Set Only)**  
**TPS2000 Series with TPS2PWR1 Power Analysis Module Only)**

Sets the file name and path to save the selected waveform harmonic data to the oscilloscope CompactFlash card in .CSV format.

The following data is included in the file:

- Harmonics, 1 through 50
- Magnitude
- Percent of fundamental

- Frequency
- Phase angle

---

**NOTE.** You can view the contents of the saved file on your personal computer. You cannot recall saved harmonics files to the oscilloscope.

---

### Group

Power Measurement

### Syntax

HARmonics:SAVe <file path>

### Arguments

<file path> specifies the full path to save harmonic measurement data.

### Examples

```
HARmonics:"SAVe A:\data1.CSV"
```

Specifies the file name and path to save harmonic loss measurement data to the oscilloscope CompactFlash card.

## HARmonics:SElect

### (TPS2000 Series with TPS2PWR1 Power Analysis Module Only)

Selects an individual harmonic. If the harmonics function is enabled but the requested harmonic is not currently on the screen, the oscilloscope will put it on the screen. If the harmonics function is not enabled, the oscilloscope will remember the requested value but will not enable the harmonics function.

### Group

Power Measurement

**Syntax**

HARmonics:SElect <NR1>

HARmonics:SElect?

**Arguments**

<NR1> specifies the harmonic from 1 to 50.

**Examples**

HARmonics:SElect 1

Instructs the oscilloscope to select the first harmonic.

HARmonics:SElect?

Might return 3, indicating that the third harmonic is selected.

**Related Commands**

HARmonics:SHOW

## **HARmonics:SETUp (TPS2000 Series with TPS2PWR1 Power Analysis Module Only)**

Sets or queries the operating mode of harmonics measurements.

**Group**

Power Measurement

**Syntax**

HARmonics:SETUp { MANUAL | AUTOMATIC }

HARmonics:SETUp?

**Arguments**

**MANUAL** The oscilloscope does not adjust the setup when entering or exiting the harmonics measurement mode.

**AUTOMATIC** The oscilloscope adjusts various settings to optimize the harmonics display. The oscilloscope returns to your previous settings when you exit the harmonics measurement mode.

**Examples**

HARmonics:SETUp?

Might return AUTOMATIC.

**HARmonics:SHOW**  
**(TPS2000 Series with TPS2PWR1 Power Analysis Module Only)**

Sets or returns the type of displayed harmonics.

**Group**

Power Measurement

**Syntax**

HARmonics:SHOW { ALL | ODD | EVEN }

HARmonics:SHOW?

**Arguments**

ALL displays both odd and even harmonics.

ODD displays odd harmonics only.

EVEN displays even harmonics only.

**Examples**

HARmonics:SHOW ALL

Instructs the oscilloscope to display all harmonics.

HARmonics:SHOW?

Might return HARMONICS:SHOW ODD, indicating that instrument displays only the odd harmonics.

**Related Commands**

HARmonics:SELect

## **HARmonics:SOURce**

### **(TPS2000 Series with TPS2PWR1 Power Analysis Module Only)**

Sets the source in the power menu.

#### **Group**

Power Measurement

#### **Syntax**

```
HARmonics:SOURce { CH<x> }
```

```
HARmonics:SOURce?
```

#### **Arguments**

CH<x> is one of the allowable input channels. The value of <x> can vary from 1 through 4 for 4-channel instruments or 1 through 2 for 2-channel instruments.

#### **Examples**

```
HARmonics:SOURce CH1
```

Sets the source for the harmonics function to CH1.

```
HARmonics:SOURce?
```

Might return CH1, indicating that the harmonics source is channel 1.

## **HARmonics:THDF? (Query Only)**

### **(TPS2000 Series with TPS2PWR1 Power Analysis Module Only)**

Returns total harmonic distortion of the waveform as a percentage of the fundamental.

#### **Group**

Power Measurement

#### **Syntax**

```
HARmonics:THDF?
```

**Returns**

<NR3>

**Examples**

HARmonics:THDF?

Might return 1.1117748204298E1, indicating that the total harmonic distortion is 11.11% of the fundamental frequency.

**HARmonics:THDR? (Query Only)**  
**(TPS2000 Series with TPS2PWR1 Power Analysis Module Only)**

Returns the total harmonic distortion of the waveform as a percentage of the  $V_{rms}$  or  $I_{rms}$  of the input signal.

**Group**

Power Measurement

**Syntax**

HARmonics:THDR?

**Returns**

<NR3>

**Examples**

HARmonics:THDR?

Might return 1.1094271493299E1, indicating that the harmonic distortion is 11.09% of the RMS input voltage.

**HDR**

This command is identical to the HEADer query and is included for compatibility with other Tektronix oscilloscopes.



## HEADer

Sets and queries the Response Header Enable State that causes the oscilloscope to either include or omit headers on query responses. This command does not affect IEEE Std 488.2–1987 Common Commands (those starting with an asterisk); they never return headers.

### Group

Miscellaneous

### Syntax

```
HEADer { <NR1> | OFF | ON }
```

HEADer?

### Arguments

ON or <NR1>  $\neq$  0 sets the Response Header Enable State to true. This causes the oscilloscope to include headers on applicable query responses. You can then use the query response as a command.

OFF or <NR1> = 0 sets the Response Header Enable State to false. This causes the oscilloscope to omit headers on query responses so that only the argument is returned.

### Examples

```
HEADer OFF
```

Causes the oscilloscope to omit headers from query responses.

HEADer?

Might return 1, showing that the Response Header Enable State is true.

### Related Commands

VERBose

## **HORizontal? (Query Only)**

Returns all settings for the horizontal commands. The commands `HORizontal:MAIn:SCAle`, `HORizontal:MAIn:SECdiv`, `HORizontal:SCAle`, and `HORizontal:SECdiv` are equivalent, so `HORizontal:MAIn:SCAle` is the value that is returned.

The commands `HORizontal:MAIn:POSi-tion` and `HORizontal:POSi-tion` are equivalent, so `HORizontal:MAIn:POSi-tion` is the value that is returned.

### **Group**

Horizontal

### **Syntax**

`HORizontal?`

### **Returns**

Returns all horizontal settings

### **Examples**

`HORizontal?`

Might return the following string:

```
:HORIZONTAL:VIEW MAIN;RECORDLENGTH 2500;MAIN:POSITION  
0.0E0;SCALE 5.0E-4;HORIZONTAL:DELAY:POSITION 0.0E0;SCALE  
2.5E-4
```

## **HORizontal:DELay? (Query Only)**

Returns all settings for the window time base. The commands `HORizontal:DELay:SECdiv` and `HORizontal:DELay:SCAle` are equivalent, so only the values for `HORizontal:DELay:SCAle` are returned.

### **Group**

Horizontal

**Syntax**

HORizontal:DELay?

**Returns**

All settings for the window time base

**Examples**

HORizontal:DELay?

Might return :HORIZONTAL:DELAY:POSITION 0.0E0;  
SCALE 5.0E-4

## HORizontal:DELay:POSition

Sets or queries the window time base horizontal position. This command is equivalent to adjusting the Horizontal Position when Window Zone or Window is selected from the Horizontal menu.

**Group**

Horizontal

**Syntax**

HORizontal:DELay:POSition <NR3>

HORizontal:DELay:POSition?

**Arguments**

<NR3> is the position in seconds. This value is the difference between the trigger point and the center graticule. Positive values place the trigger before the center graticule.

**Examples**

HORizontal:DELay:POSition 2.0E-6

Sets the window position to 2  $\mu$ s before the center graticule.

HORizontal:DELay:POSition?

Might return  $-1.0E-3$ , indicating that the window position is 1 ms after the center graticule.

## **HORizontal:DELay:SCAlE**

Sets the time per division for the oscilloscope window time base. This command is equivalent to setting SEC/DIV when Window Zone or Window is selected from the Horizontal menu.

### **Group**

Horizontal

### **Syntax**

HORizontal:DELay:SCAlE <NR3>

HORizontal:DELay:SCAlE?

### **Arguments**

<NR3> is the time per division. The range depends on the oscilloscope model. The acceptable values are in a 1–2.5–5 sequence. If the window time base scale is set slower than the main time base scale, both the main and window time base scales are set to the window scale value.

### **Examples**

HORizontal:DELay:SCAlE 2.0E-6

Sets the window scale to 2  $\mu$ s per division.

HORizontal:DELay:SCAlE 9.0E-6

Sets the window scale to 10  $\mu$ s per division. Since 9  $\mu$ s is not a correct value within the 1–2.5–5 sequence, it is automatically set to the closest correct value.

HORizontal:DELay:SCAlE?

Might return 1.0E-3, indicating that the window scale is 1 ms per division.

## **HORizontal:DELay:SECdiv**

This command is identical to the HORizontal:DELay:SCALE. It is provided to maintain program compatibility with some older models of Tektronix oscilloscopes.

## **HORizontal:MAIn? (Query Only)**

Returns all settings for the oscilloscope main time base. The HORizontal:MAIn:SECdiv and HORizontal:MAIn:SCALE commands are identical so only HORizontal:MAIn:SCALE is returned.

### **Group**

Horizontal

### **Syntax**

HORizontal:MAIn?

### **Returns**

All settings for the main time base.

### **Examples**

HORizontal:MAIn?

Might return :HORIZONTAL:MAIN:POSITION 0.0E0;SCALE 5.0E-4

## **HORizontal:MAIn:POSition**

Sets or queries the main time base horizontal position. This command is equivalent to adjusting the Horizontal Position when Main is selected from the Horizontal menu.

### **Group**

Horizontal

### **Syntax**

HORizontal:MAIn:POSition <NR3>

HORizontal:MAIn:POSition?

**Arguments**

<NR3> is the position in seconds. This value is the difference between the trigger point and the center graticule. Positive values place the trigger before the center graticule.

**Examples**

HORizontal:MAIn:POSition 2.0E-6

Sets the main trigger position to 2  $\mu$ s before the center graticule.

HORizontal:MAIn:POSition?

Might return -1.0E-3, indicating that the main trigger position is 1 ms after the center graticule.

## HORizontal:MAIn:SCALE

Sets the time per division for the main time base. This command is equivalent to setting SEC/DIV when Main is selected from the Horizontal menu.

**Group**

Horizontal

**Syntax**

HORizontal:MAIn:SCALE <NR3>

HORizontal:MAIn:SCALE?

**Arguments**

<NR3> is the time per division. The range depends on the oscilloscope model. The acceptable values are in a 1-2.5-5 sequence. Other values are forced to the closest acceptable value.

**Examples**

HORizontal:MAIn:SCALE 2.5E-6

Sets the main scale to 2.5  $\mu$ s per division.

## **HORizontal:MAIn:SECdiv**

Sets the time per division for the oscilloscope main time base. This command is identical to the **HORizontal:MAIn:SCAle** command. It is provided to maintain program compatibility with some older models of Tektronix oscilloscopes.

## **HORizontal:POSition**

Sets or queries the main time base horizontal position. This command is identical to the **HORizontal:MAIn:POSition** command. This command is included for compatibility.

### **Group**

Horizontal

### **Syntax**

**HORizontal:POSition** <NR3>

**HORizontal:POSition?**

### **Arguments**

<NR3> is the position in seconds. This value is the difference between the trigger point and the center graticule. Positive values place the trigger before the center graticule.

### **Examples**

**HORizontal:POSition** 2.0E-6

Sets the main trigger position to 2  $\mu$ s before the center graticule.

**HORizontal:POSition?**

Might return -1.0E-3, indicating that the main trigger position is 1 ms after the center graticule.

## **HORizontal:RECOrdlength? (Query Only)**

Returns the number of acquisition data points. For TDS200, TDS1000, TDS2000, TDS1000B, TDS2000B, and TPS2000 oscilloscopes, this value is always 2500, even in FFT mode. This command is provided to maintain program compatibility with other Tektronix digital oscilloscopes.

### **Group**

Horizontal

### **Syntax**

HORizontal:RECOrdlength?

### **Returns**

2500

### **Examples**

HORizontal:RECOrdlength?

Returns 2500 as the number of data points in each record.

### **Related Commands**

WFMPre:NR\_Pt?, WFMPre:<wfm>:NR\_Pt?

## **HORizontal:SCAle**

Sets the time per division for the main time base and is identical to the HORizontal:MAIn:SCAle command. It is included for compatibility purposes.

## **HORizontal:SECdiv**

Sets the time per division for the main time base and is identical to the HORizontal:MAIn:SCAle command. It is included for compatibility purposes.



## HORizontal:VIEW

Specifies whether the horizontal display uses the Main, Window Zone, or Window view. This is equivalent to setting the View in the Horizontal menu.

### Group

Horizontal

### Syntax

```
HORizontal:VIEW { MAIn | WINDOW | ZONE }
```

```
HORizontal:VIEW?
```

### Arguments

MAIn specifies that the waveform is acquired and displayed using the Main time base.

WINDOW specifies that the waveform is acquired and displayed using the Window (delay) time base.

ZONE is the same as MAIn, but adds display of vertical cursor bars to show the portion of the waveform that would be acquired and displayed using the window (delay) time base.

### Examples

```
HORizontal:VIEW MAIn specifies the default horizontal view.
```

## ID? (Query Only)

Returns identifying information about the oscilloscope and its firmware in Tektronix Codes and Formats notation.

---

**NOTE.** *ID? must be the last command when part of a concatenated statement. Otherwise the oscilloscope generates event message 440.*

---

The ID? and \*IDN? responses are slightly different.

**Group**

Status and Events

**Syntax**

ID?

**Returns**

Returns the oscilloscope identification in the following format for TDS2CM, TDS2CMA, and TDS2MM modules:

ID TEK/<model number>,CF:91.1CT,FV:v<oscilloscope firmware version number>,TDS2XX:XXV:v<module firmware version number>

Where XX is the module type, CM (TDS2CM or TDS2CMA communications module) or MM (measurement module).

Returns the oscilloscope identification in the following format for TDS2MEM modules:

ID TEK/<model number>,CF:91.1CT TDS2MEM:FV:v<module firmware version number>

Returns the oscilloscope identification in the following format for TPS2000 oscilloscopes:

ID TEK/<model number>,CF:91.1CT FV:v<oscilloscope firmware version number> TPS2XXXV:v<module firmware version number>

Returns the oscilloscope identification in the following format for TDS1000B and TDS2000B oscilloscopes:

ID TEK/<model number>,CF:91.1CT FV:v<oscilloscope firmware version number>

**Examples**

ID?

Might return the following response with a TDS2CMA installed:

ID TEK/TDS 220,CF:91.1CT,FV:v1.00 TDS2CM:CMV:v1.00

Might return the following response with a TDS2MEM installed:

ID TEK/TDS 2022,CF:91.1CT TDS2MEM:FV:v6.00

Might return the following response with a TPS2PWR installed:

```
ID TEK/TPS 2012,CF:91.1CT FV:v9.48 TPS2PWR1:v1.00
```

Might return the following response for a TDS1012B oscilloscope:

```
ID TEK/TDS 1012B,CF:91.1CT FV:v21.21
```

### **Related Commands**

\*IDN?

## **\*IDN? (Query Only)**

Returns the oscilloscope identification code in IEEE 488.2 notation.

---

**NOTE.** *\*IDN? must be the last command when part of a concatenated statement. Otherwise the oscilloscope generates event message 440.*

---

The \*IDN? and ID? responses are slightly different.

### **Group**

Status and Events

### **Syntax**

\*IDN?

### **Returns**

Returns the oscilloscope identification in the following format for TDS2CM, TDS2CMA, and TDS2MM modules:

```
TEKTRONIX, <model number>,CF:91.1CT FV:v<oscilloscope  
firmware version number>,TDS2XX:XXV:v<module firmware  
version number>
```

Where XX is the module type CM (TDS2CM or TDS2CMA communications module) or MM (measurement module).

Returns the oscilloscope identification in the following format for TDS2MEM modules:

```
TEKTRONIX, <model number>,CF:91.1CT TDS2MEM:FV:v<module  
firmware version number>
```

Returns the oscilloscope identification in the following format for TPS2000 oscilloscopes:

```
TEKTRONIX,<model number>,CF:91.1CT FV:v<oscilloscope  
firmware version number> TPS2XXXV:v<module firmware  
version number>
```

Returns the oscilloscope identification in the following format for TDS1000B and TDS2000B oscilloscopes:

```
TEKTRONIX/<model number>,<serial number>, CF:91.1CT  
FV:v<oscilloscope firmware version number>
```

### Examples

\*IDN?

Might return the following response with a TDS2CMA installed:

```
ID TEKTRONIX,TDS 220,0,CF:91.1CT FV:v2.12 TDS2CM:CMV:  
v1.04
```

Might return the following response with a TDS2MEM installed:

```
ID TEKTRONIX,TDS 2022,0,CF:91.1CT TDS2MEM:FV:v6.00
```

Might return the following response for a TPS2012 oscilloscope with a TPS2PWR1 power analysis module installed:

```
TEKTRONIX,TPS 2012,0,CF:91.1CT FV:v9.48 TPS2PWR1:v1.00
```

Might return the following response for a TPS2022B oscilloscope with the serial number CU10100:

```
TEKTRONIX,TDS 2022B,CU10100,CF:91.1CT FV:v20.22
```

Might return the following response for a TDS1012B oscilloscope with the serial number CU010114:

```
TEKTRONIX,TDS 1012B,CU010114,CF:91.1CT FV:v21.21
```

**Related Commands**

ID?

**LANGUage**

Sets or queries the languages that the oscilloscope uses to display information on the screen. This is equivalent to setting the Language option in the Utility menu.

**Group**

Miscellaneous

**Syntax**

```
LANGUage { ENGLish | FRENch | GERMan | ITALian | SPANish  
| JAPANese | PORTUguese | KOREan | TRADitionalchinese |  
SIMPlifiedchinese }
```

LANGUage?

**Arguments**

Specifies the language used to display oscilloscope information on the screen.

**Examples**

LANGUage FRENch

Specifies that the oscilloscope displays information in French.

LANGUage?

Might return SPANISH

**LOCK**

Enables and disables all front-panel buttons and knobs. There is no front-panel equivalent.

**Group**

Miscellaneous

**Syntax**

LOCK { ALL | NONE }

LOCK?

**Arguments**

ALL disables all front-panel controls.

NONE enables all front-panel controls. This is equivalent to the UNLOCK ALL command.

**Examples**

LOCK ALL

Locks the front-panel controls.

LOCK?

Returns NONE when the front-panel controls are enabled by this command.

**Related Commands**

UNLOCK

**\*LRN? (Query Only)**

This is identical to the SET? query described on page 2-197.

**Group**

Miscellaneous

**Syntax**

\*LRN?

**MATH? (Query Only)**

Returns the definition for the math waveform.

**Group**

Math

**Syntax**

MATH?

**Returns**

Definition for the math waveform.

**Examples**

MATH?

Might return the following for an FFT waveform:

```
:MATH:DEFINE "FFT(CH1,HANNING)";VERTICAL:POSITION  
0.0E0;SCALE 1.0E0;:MATH:FFT:HORIZONTAL:POSITION  
5.0E1;SCALE 1.0E0;:MATH:FFT:VERTICAL:POSITION  
0.0E0;SCALE 1.0E0
```

**MATH:DEFINE**

Performs the specified mathematical operation on the input signal or signals. To activate or deactivate the math waveform, use the `SElect:<wfm>` command (refer to page 2-197).

**Group**

Math

**Syntax**

MATH:DEFINE &lt;QString&gt;

MATH:DEFINE?

---

**NOTE.** Remember that <QString> must be enclosed in quotes. You can use white space characters between words.

---

**Arguments**

<QString> specifies a math waveform, and can be one of the following:

**TDS1001, TDS1002, TDS1012, TDS2002, TDS2012 and TDS2022 models; TDS210 and TDS220 models (firmware V2.00 and above) with a TDS2MM measurement module.**

CH1+CH2  
CH1-CH2  
CH2-CH1  
FFT (CH<x> [, <window>])

**TDS2004, TDS2014 and TDS2024 models; TDS224 model with a TDS2MM measurement module.**

CH1+CH2  
CH3+CH4  
CH1-CH2  
CH2-CH1  
CH3-CH4  
CH4-CH3  
FFT (CH<x> [, <window>])

**TDS210 and TDS220 models, firmware below V2.00 with a TDS2CMA communications module.**

CH1-CH2  
CH2-CH1  
CH1+CH2  
-CH1  
-CH2

**TDS210 and TDS220 models (firmware below V2.00) with a TDS2MM measurement module.**

CH1+CH2  
(to subtract, invert one of the waveforms through CH<x>:INVert, and then add)  
FFT (CH<x> [, <window>])



**TDS210 and TDS220 models (firmware V2.00) and above with a TDS2CMA communications module.**

CH1+CH2  
CH1-CH2  
CH2-CH1

**TDS224 model with a TDS2CMA communications module.**

CH1+CH2  
CH3+CH4  
CH1-CH2  
CH2-CH1  
CH3-CH4  
CH4-CH3

**TDS1000B, TDS2000B, and TPS2000 Series.**

CH1+CH2  
CH3+CH4 (4-channel models)  
CH1-CH2  
CH2-CH1  
CH3-CH4 (4-channel models)  
CH4-CH3 (4-channel models)  
CH1\*CH2  
CH3\*CH4 (4-channel models)  
FFT (CH<x>[, <window>])

For FFT, the optional <window> argument is HANNing, FLATtop, or RECTangular.

**Examples**

```
MATH:DEFINE "CH1+CH2"
```

Sets the math waveform so that it displays the sum of channel 1 and channel 2.

```
MATH:DEFINE "FFT (CH1, HANNING)"
```

Sets the math waveform to display an FFT of channel 1 using a Hanning window.

---

**NOTE.** You can use this example with a TDS1000, TDS2000, TDS1000B, TDS2000B, and TPS2000 series oscilloscope, as well as a TDS200 series oscilloscope with a TDS2MM measurement module.

---

## MATH:FFT? (Query Only)

---

**NOTE.** You can use this command with a TDS1000, TDS2000, TDS1000B, TDS2000B, and TPS2000 oscilloscope, as well as a TDS200 oscilloscope with a TDS2MM measurement module.

---

Returns the current MATH:FFT display settings.

### Group

Math

### Syntax

MATH:FFT?

### Examples

MATH:FFT?

Might return the following:

```
:MATH:FFT:HORIZONTAL:POSITION 5.0E1;SCALE  
1.0E0;:MATH:FFT:VERTICAL:POSITION 0.0E0;SCALE 1.0E0
```

## MATH:FFT:HORizontal:POSition

---

**NOTE.** You can use this command with a TDS1000, TDS2000, TDS1000B, TDS2000B, and TPS2000 oscilloscope, as well as a TDS200 oscilloscope with a TDS2MM measurement module.

---

Sets or queries the FFT math waveform horizontal position.

**Group**

Math

**Syntax**

MATH:FFT:HORizontal:POSition &lt;NR3&gt;

MATH:FFT:HORizontal:POSition?

**Arguments**

<NR3> specifies the point in the FFT waveform data record to display at the center vertical graticule line. The data record point is a percentage of the total record length, in the range of 0 to 100. The default value is 50. How much data is displayed depends on the FFT Zoom factor setting. The oscilloscope rounds <NR3> to the nearest workable value.

**Examples**

MATH:FFT:HORizontal:POSition 25

Sets the FFT waveform horizontal position such that the data at the 25% point of the record is centered on the display.

MATH:FFT:HORizontal:POSition?

Might return 5.0E1, indicating that the 50% point in the data record is horizontally centered on the display.

## MATH:FFT:HORizontal:SCALE

---

**NOTE.** You can use this command with a TDS1000, TDS2000, TDS1000B, TDS2000B, and TPS2000 oscilloscope, as well as a TDS200 oscilloscope with a TDS2MM measurement module.

---

Sets or queries the FFT math waveform horizontal zoom factor.

**Group**

Math

**Syntax**

MATH:FFT:HORizontal:SCAlE <NR3>

MATH:FFT:HORizontal:SCAlE?

**Arguments**

<NR3> specifies the horizontal magnification factor, where the axis of magnification is the center vertical graticule line. Valid zoom factors are 1, 2, 5, and 10. If other values are entered the oscilloscope rounds the value of <NR3> to the nearest valid zoom factor.

**Examples**

MATH:FFT:HORizontal:SCAlE 5

Sets the FFT waveform horizontal zoom factor to X5.

MATH:FFT:HORizontal:SCAlE?

Might return 2.0E0, indicating that the zoom factor setting is X2.

## MATH:FFT:VERTical:POSition

---

**NOTE.** You can use this command with a TDS1000, TDS2000, TDS1000B, TDS2000B, and TPS2000 oscilloscope, as well as a TDS200 oscilloscope with a TDS2MM measurement module.

---

Sets or queries the FFT math waveform vertical position.

**Group**

Math

**Syntax**

MATH:FFT:VERTical:POSition <NR3>

MATH:FFT:VERTical:POSition?

**Arguments**

<NR3> specifies the FFT waveform vertical position in divisions.

**Examples**

```
MATH:FFT:VERTical:POSition 2
```

Sets the FFT waveform vertical position to 2 major divisions above the center horizontal graticule line.

```
MATH:FFT:VERTical:POSition?
```

Might return 5, indicating that the FFT waveform 0 reference point is 5 major divisions from the center horizontal graticule line.

## MATH:FFT:VERTical:SCAle

---

**NOTE.** You can use this command with a TDS1000, TDS2000, TDS1000B, TDS2000B, and TPS2000 oscilloscope, as well as a TDS200 oscilloscope with a TDS2MM measurement module.

---

Sets or queries the FFT math waveform vertical zoom factor.

**Group**

Math

**Syntax**

```
MATH:FFT:VERTical:SCAle <NR3>
```

```
MATH:FFT:VERTical:SCAle?
```

**Arguments**

<NR3> specifies the vertical zoom factor, where the axis of magnification is the center horizontal graticule line. Valid zoom factors are 0.5, 1, 2, 5, and 10. If other values are entered the oscilloscope rounds the value of <NR3> to the nearest valid zoom factor.

**Examples**

```
MATH:FFT:VERTical:SCAle 5
```

Sets the FFT waveform vertical zoom factor to X5.

```
MATH:FFT:VERTical:SCAle?
```

Might return 2.0E0, indicating that the zoom factor setting is X2.

## **MATH:VERTical? (Query Only)** **(TDS1000B, TDS2000B, and TPS2000 Series Only)**

Returns the MATH:VERTical display settings.

### **Group**

Math

### **Syntax**

MATH:VERTical?

### **Examples**

MATH:VERTical?

Might return :MATH:VERTICAL:POSITION 0.0E0;SCALE 5.0E-1,  
indicating the math waveform position and scale.

## **MATH:VERTical:POSition** **(TDS1000B, TDS2000B, and TPS2000 Series Only)**

Sets or returns the math waveform display position.

### **Group**

Math

### **Syntax**

MATH:VERTical:POSition <NR3>

MATH:VERTical:POSition?

### **Arguments**

<NR3> specifies the math vertical position in divisions from center screen.

**Examples**

MATH:VERTical:POSITION?

Might return -3.0E0, indicating that the math waveform is 3 divisions below center screen.

**MATH:VERTical:SCAle**  
**(TDS1000B, TDS2000B, and TPS2000 Series Only)**

Sets or returns the math waveform display scale in units per division. It is not possible to use this command to set the math scale to a fine scale not achievable from the front panel. This command typically rounds down to an achievable value. If the value input is below the minimum value, then the command will round up.

**Group**

Math

**Syntax**

MATH:VERTical:SCAle <NR3>

MATH:VERTical:SCAle?

**Arguments**

<NR3> specifies the math vertical scale in units per division.

**Examples**

MATH:VERTICAL:SCALE 5.0e0

Sets the math vertical scale to five math waveform units per division.

**MEASUrement? (Query Only)**

Returns the current MEASUrement settings.

**Group**

Measurement

**Syntax**

MEASUrement?

**Returns**

Oscilloscope measurement settings.

**Examples**

MEASUrement?

Might return the following:

```
:MEASUREMENT:MEAS1:TYPE PERIOD;UNITS "s";SOURCE CH1;  
:MEASUREMENT:MEAS2:TYPE FREQUENCY;UNITS "Hz";SOURCE CH1;  
:MEASUREMENT:MEAS3:TYPE PK2PK;UNITS "V";SOURCE CH2;  
:MEASUREMENT:MEAS4:TYPE MEAN;UNITS "V";SOURCE CH2;  
:MEASUREMENT:IMMED:TYPE CRMS;UNITS "V";SOURCE CH1
```

## MEASUrement:IMMed? (Query Only)

Returns all immediate measurement setup parameters. Immediate queries and commands are the preferred methods for programming. An immediate measurement selection is not visible or accessible through the display screen or front panel.

**Group**

Measurement

**Syntax**

MEASUrement:IMMed?

**Returns**

Immediate measurement setup parameters

**Examples**

MEASUrement:IMMed?

Might return PERIOD;"s";CH1



## MEASUREMENT:IMMED:SOURCE1

Sets or queries the source for single-source immediate measurements.

### Group

Measurement

### Syntax

TDS1000B, TDS2000B, and TPS2000 series:

```
MEASUREMENT:IMMED:SOURCE1 { CH<x> | MATH }
```

```
MEASUREMENT:IMMED:SOURCE1?
```

### Arguments

CH<x> specifies the measurement source channel as one of the input channels. The value of <x> can vary from 1 through 4 for 4-channel instruments or 1 through 2 for 2-channel instruments.

MATH specifies the measurement source channel as the math waveform. (TDS1000B, TDS2000B, and TPS2000 series only)

### Examples

```
MEASUREMENT:IMMED:SOURCE CH1
```

Specifies channel 1 as the immediate measurement source.

## MEASUREMENT:IMMED:SOURCE2

### (TPS2000 Series with TPS2PWR1 Power Analysis Module Only)

Sets or queries the secondary source for dual-source immediate measurements. For example, power analysis and phase angle measurements.

---

**NOTE.** This command is only available when the Power Analysis Module application key is installed.

---

**Group**

Measurement

**Syntax**

MEASUREMENT:IMMed:SOURCE2 { CH<x> | MATH }

MEASUREMENT:IMMed:SOURCE2?

**Arguments**

CH<x> specifies the measurement source channel as one of the input channels. The value of <x> can vary from 1 through 4 for 4-channel instruments or 1 through 2 for 2-channel instruments. For power analysis, Source2 must be Amperes.

MATH specifies the measurement source channel as the math waveform.

**Examples**

MEASUREMENT:IMMed:SOURCE2 CH2

Specifies channel 2 as the immediate measurement source.

## MEASUREMENT:IMMed:TYPE

Sets or queries the immediate measurement type.

---

**NOTE.** *Selecting one of the power arguments for this command, without installing the Power Analysis Module application key, will generate an error.*

---

**Group**

Measurement

**Syntax**

MEASUREMENT:IMMed:TYPE { FREQUENCY | MEAN | PERIOD | PHASE | PK2pk | CRMS | MINIMUM | MAXIMUM | RISE | FALL | PWIDTH | NWIDTH }

TPS2000 with a TPS2PWR1 Power Analysis Module only:  
{ WFCREST | WFFREQ | WFCYCRMS | TRUEPOWER | VAR |  
POWERFACTOR | PFPHASE | PHAse }

MEASUrement : IMMed : TYPe?

### **Arguments**

FREQUency is the reciprocal of the period measured in Hertz.

MEAN is the arithmetic mean over the entire waveform.

PERIOd is the duration, in seconds, of the first complete cycle in the waveform.

PK2pk is the absolute difference between the maximum and minimum amplitude.

CRMs is the true Root Mean Square voltage of the first complete cycle in the waveform.

MINImum (TDS1000, TDS2000, TDS1000B, TDS2000B, and TPS2000 series only) is the value of the smallest point in the waveform.

MAXImum (TDS1000, TDS2000, TDS1000B, TDS2000B, and TPS2000 series only) is the value of the largest point in the waveform.

RISe ( TDS200 series with a TDS2MM measurement module, TDS1000, TDS2000, TDS1000B, TDS2000B, and TPS2000 series only) is the rise time between 10% and 90% of the first rising edge of the waveform. Rising edge must be displayed to measure. The oscilloscope automatically calculates the 10% and 90% measurement points.

FALL (TDS200 series with a TDS2MM measurement module, TDS1000, TDS2000, TDS1000B, TDS2000B, and TPS2000 series only) is the fall time between 90% and 10% of the first falling edge of the waveform. Falling edge must be displayed to measure. The oscilloscope automatically calculates the 10% and 90% measurement points.

**PWIdth** (TDS200 series with a TDS2MM measurement module, TDS1000, TDS2000, TDS1000B, TDS2000B, and TPS2000 series only) is the positive pulse width between the first rising edge and the next falling edge at the waveform 50% level. Rising and falling edges must be displayed to measure. The oscilloscope automatically calculates the 50% measurement point.

**NWIdth** (TDS200 series with a TDS2MM measurement module, TDS1000, TDS2000, TDS1000B, TDS2000B, and TPS2000 series only) is the negative pulse width between the first falling edge and the next rising edge at the waveform 50% level. Falling and rising edges must be displayed to measure. The oscilloscope automatically calculates the 50% measurement point.

**WFCREST** (TPS2000 series with TPS2PWR1 Power Analysis Module only) is the measurement of the maximum value to the cycle RMS value of the waveform, a unit-less ratio.

**WFFREQ** (TPS2000 series with TPS2PWR1 Power Analysis Module only) is the measurement of frequency using the min-max, high-low method.

**WFCYCRMS** (TPS2000 series with TPS2PWR1 Power Analysis Module only) is the measurement of RMS voltage calculated over the first cycle, using the min-max, high-low method.

**TRUEPOWER** (TPS2000 series with TPS2PWR1 Power Analysis Module only) is the true power measurement in Watts. Source 1 must be volts; source 2 must be Amperes.

**VAR** (TPS2000 series with TPS2PWR1 Power Analysis Module only) is the reactive power measurement. Source 1 must be volts; source 2 must be Amperes.

**POWERFACTOR** (TPS2000 series with TPS2PWR1 Power Analysis Module only) is the true power factor ratio measurement. Source 1 must be volts; source 2 must be Amperes.

**PFPHASE** (TPS2000 series with TPS2PWR1 Power Analysis Module only) is the phase angle measurement in degrees. Source 1 must be volts; source 2 must be Amperes.

PHase (TPS2000 series with TPS2PWR1 Power Analysis Module only) is the measurement of phase between source 1 and source 2, in degrees.

**Examples**

MEASUREMENT:IMMed:TYPE FREQUENCY

Defines the immediate measurement to be a frequency measurement.

**MEASUREMENT:IMMed:UNITS? (Query Only)**

Returns the units for the immediate oscilloscope measurement.

**Group**

Measurement

**Syntax**

MEASUREMENT:IMMed:UNITS?

**Returns**

<QString> returns "V" for volts, "s" for seconds, or "Hz" for Hertz.

For the TDS1000B, TDS2000B, and TPS2000 series, <QString> can also return the following:

A for amps

VA for volt-amps

AA for amps\*amps

VV for volts\*volts

You can also use this command for undefined math waveforms.

**Examples**

MEASUREMENT:IMMed:UNITS?

Might return "s", indicating that the unit for the immediate measurement is seconds.

## MEASUrement:IMMed:VALue? (Query Only)

Executes the immediate oscilloscope measurement specified by the MEASUrement:IMMed:TYPe command. The measurement is taken on the source specified by the MEASUrement:IMMed:SOURce command. Immediate queries and commands are the preferred measurement method for programming.

To check whether the measurement was successful, use the \*ESR? query followed by the EVENT? or ALLEv? queries to read the Standard Event Status Register (SESR).

---

**NOTE.** *If the channel specified by MEASUrement:IMMed:SOURce is not currently displayed, the oscilloscope generates event 2225 and returns 9.9E37.*

*If Trigger View is active, Scan mode is in effect, or the display format is set to XY, this query returns 9.9E37 and generates event 221 (Settings conflict)*

*When math is FFT, turned on, and used as a measurement source, attempting to query the measurement value returns 9.9e37 and raises error 2225 (no waveform to measure).*

---

### Group

Measurement

### Syntax

MEASUrement:IMMed:VALue?

### Returns

<NR3>

### Examples

MEASUrement:IMMed:VALue?

Might return 28.75E6 if you are measuring the frequency of a 28.75 MHz signal.

MEASUREMENT:IMMED:VALUE?

Might return 9.9E37, which means that the channel specified by MEASUREMENT:IMMED:SOURCE is not currently displayed.

\*ESR?

After a measurement query might return 16, indicating that there are error messages in the queue.

ALLEV?

Might return :ALLEV 541,"Measurement warning, Low signal amplitude: "

### **Related Commands**

\*ESR?, EVENT?, ALLEV?

## **MEASUREMENT:MEAS<x>? (Query Only)**

Returns all measurement parameters for the displayed oscilloscope periodic measurement specified by <x>. Where <x> identifies the measurement, 1 through 4 for the TDS200 series, and 1 through 5 for the TDS1000, TDS2000, TDS1000B, TDS2000B, and TPS2000 series.

### **Group**

Measurement

### **Syntax**

MEASUREMENT:MEAS<x>?

### **Returns**

Settings for the specified measurement source.

### **Examples**

MEASUREMENT:MEAS3?

Might return PERIOD;"s";CH1

## MEASUREMENT:MEAS<x>:SOURCE

Sets or queries the source for an automated measurement. Where <x> identifies the measurement, 1 through 4 for the TDS200 series, and 1 through 5 for the TDS1000, TDS2000, TDS1000B, TDS2000B, and TPS2000 series.

This is equivalent to selecting the measurement source in the MEASURE menu.

### Group

Measurement

### Syntax

TDS200, TDS1000, and TDS2000 series:

```
MEASUREMENT:MEAS<x>:SOURCE CH<y>
```

TDS1000B, TDS2000B, and TPS2000 series:

```
MEASUREMENT:MEAS<x>:SOURCE { CH<y> | MATH }
```

```
MEASUREMENT:MEAS<x>:SOURCE?
```

### Arguments

CH<y> specifies the input channel source for the measurement.

MATH specifies the measurement source channel as the math waveform. (TDS1000B, TDS2000B, and TPS2000 series only)

### Examples

```
MEASUREMENT:MEAS2:SOURCE CH1
```

Sets the source for Measurement 2 to channel 1.

## MEASUREMENT:MEAS<x>:TYPE

Sets or queries the on-screen periodic oscilloscope measurement type for the measurement specified by <x>. Where <x> identifies the measurement, 1 through 4 for the TDS200 series, and 1 through 5 for the TDS1000, TDS2000, TDS1000B, TDS2000B, and TPS2000 series.



This is equivalent to selecting the measurement type in the MEASURE menu. Setting the type to anything other than NONE displays the MEASURE menu on the screen.

---

**NOTE.** *You should use the MEASUrement:IMMed command with programming to take measurements, as this is preferred to the MEASUrement:MEAS<x> command.*

---

## Group

Measurement

## Syntax

```
MEASUrement:MEAS<x>:TYPE { FREquency | MEAN | PERIod |  
PK2pk | CRMs | MINImum | MAXImum | RISE | FALL | PWidth  
| NWidth | NONE }
```

MEASUrement:MEAS<x>:TYPE?

## Arguments

FREquency is the reciprocal of the period measured in Hertz.

MEAN is the arithmetic mean over the entire waveform.

PERIod is the duration, in seconds, of the first complete cycle in the waveform.

PK2pk is the absolute difference between the maximum and minimum amplitude.

CRMs is the true Root Mean Square voltage of the first complete cycle in the waveform.

MINImum (TDS1000, TDS2000, TDS1000B, TDS2000B, and TPS2000 series only) is the value of the smallest point in the waveform.

MAXImum (TDS1000, TDS2000, TDS1000B, TDS2000B, and TDS2000 series only) is the value of the largest point in the waveform.

**RISe** (TDS200 series with a TDS2MM measurement module, TDS1000, TDS2000, TDS1000B, TDS2000B, and TPS2000 series only) is the rise time between 10% and 90% of the first rising edge of the waveform. Rising edge must be displayed to measure. The oscilloscope automatically calculates the 10% and 90% measurement points.

**FALL** (TDS200 series with a TDS2MM measurement module, TDS1000, TDS2000, TDS1000B, TDS2000B, and TPS2000 series only) is the fall time between 90% and 10% of the first falling edge of the waveform. Falling edge must be displayed to measure. The oscilloscope automatically calculates the 10% and 90% measurement points.

**PWIdth** (TDS200 series with a TDS2MM measurement module, TDS1000, TDS2000, TDS1000B, TDS2000B, and TPS2000 series only) is the positive pulse width between the first rising edge and the next falling edge at the waveform 50% level. Rising and falling edges must be displayed to measure. The oscilloscope automatically calculates the 50% measurement point.

**NWIdth** (TDS200 series with a TDS2MM measurement module, TDS1000, TDS2000, TDS1000B, TDS2000B, and TPS2000 series only) is the negative pulse width between the first falling edge and the next rising edge at the waveform 50% level. Falling and rising edges must be displayed to measure. The oscilloscope automatically calculates the 50% measurement point.

**NONE** disables the measurement specified by <x>.

### **Examples**

```
MEASurement:MEAS3:TYPE CRMS
```

Specifies MEAS3 to calculate the true Root Mean Square value.

## MEASUREMENT:MEAS<x>:UNITS? (Query Only)

Returns the units for the oscilloscope measurement specified by MEASUREMENT:MEAS<x>:TYPE. Where <x> identifies the measurement, 1 through 4 for the TDS200 series, and 1 through 5 for the TDS1000, TDS2000, TDS1000B, TDS2000B, and TPS2000 series.

### Group

Measurement

### Syntax

MEASUREMENT:MEAS<x>:UNITS?

### Returns

<QString> returns "V" for volts, "s" for seconds, or "Hz" for Hertz, or a null string if MEASUREMENT:MEAS<x>:TYPE is set to NONE.

For the TDS1000B, TDS2000B, and TPS2000 series, <QString> can also return the following:

A for amps

VA for volt-amps

AA for amps\*amps

VV for volts\*volts

You can also use this command for undefined math waveforms.

### Examples

MEASUREMENT:MEAS3:UNITS?

Might return "V", indicating the units for measurement 3 are volts.

## MEASUREMENT:MEAS<x>:VALUE? (Query Only)

Returns the value that has been calculated for the oscilloscope on-screen periodic measurement specified by <x>. Where <x> identifies the measurement, 1 through 4 for the TDS200 series, and 1 through 5 for the TDS1000, TDS2000, TDS1000B, TDS2000B, and TPS2000 series.

This value is a display value and will be updated about every 1/2 second if both the MEASURE menu and the MEAS<x> source channel are displayed. If you are acquiring at a slow sweep rate, the oscilloscope may take longer than 1/2 second to update.

---

**NOTE.** *MEASUREMENT:IMMED is usually more useful than MEASUREMENT:MEAS<x> when using the oscilloscope with external devices.*

---

If MEASUREMENT:MEAS<x>:TYPE is set to NONE, MEASUREMENT:MEAS<x>:VALUE? generates event message 2231 (Measurement error, measurement is not activated) and returns 9.9E37.

If the channel specified by MEASUREMENT:MEAS<x>:SOURCE is not displayed on the oscilloscope, the oscilloscope generates event message 2225 (Measurement error, no waveform to measure) and returns 9.9E37.

Use the \*ESR? and ALLEv? queries to check for measurement errors. An example error is “2204, Low signal amplitude”.

---

**NOTE.** *If Trigger View is active, scan mode is in effect, or the display format set to XY, this query generates event 221 (Settings conflict) and returns 9.9E37.*

---

---

**NOTE.** *When math is FFT, turned on, and used as a measurement source, attempting to query the measurement value returns 9.9e37 and raises error 2225 (no waveform to measure).*

---

**Group**

Measurement

**Syntax**

MEASUrement:MEAS&lt;x&gt;:VALue?

**Returns**

&lt;NR3&gt;

**Examples**

MEASUrement:MEAS3:VALue?

Might return 28.75E6 if measurement number three is frequency.

**\*OPC**

The \*OPC? query and the \*OPC set command provide two different methods for checking for the completion of the commands listed in Table 2-30 on page 2-170, such as single sequence acquisitions.

The \*OPC? query uses a more simple method than the \*OPC set command. The \*OPC? query places the ASCII character “1” into the output queue when all pending operations listed in Table 2-30 are complete. If none of the operations are pending, the \*OPC? query immediately places a “1” in the output queue.

---

**NOTE.** When using the \*OPC? query method, the time-out on your controller must be set for longer than the operation for which the controller is waiting, such as a single sequence acquisition.

Unlike the \*OPC command, the \*OPC? query does not affect the OPC Event bit in the Standard Event Status Register (ESR).

---

The \*OPC set command uses a more complex method than the \*OPC? query. However, there are advantages to using this method in some situations. For more information, refer to *Using the \*OPC Set Command* on page 3-14. Table 2-30 lists commands that generate an Operation Complete message.

**Table 2-30: Commands that generate an Operation Complete message**

Command	Operation
*CAL?, CALibrate:CONTINUE, CALibrate:FACTory, CALibrate:INTERNAL	Internal self-calibration
ACQuire:STATE ON or ACQuire:STATE RUN (when ACQuire:STOPAfter is set to SEQUENCE)	Busy single sequence acquisition
HARDCopy START	Busy hard copy output

**Group**

Status and Error

**Syntax**

\*OPC

\*OPC?

**Examples**

Using the \*OPC? query to check for the completion of the single sequence acquisition:

ACQuire:STOPAfter SEQUENCE

ACQuire:STATE ON

\*OPC? will return a 1 after the acquisition is complete.

Refer to page 3-14 for examples of how to use the \*OPC set command.

**Related Commands**

ALLEv, BUSY?, DESE, \*ESR?, \*WAI

## **PICTBridge:DEF (Set Only)** **(TDS1000B and TDS2000B Series Only)**

Sets the arguments for all PictBridge commands to their default values. The default values are the same as the default settings for the printer. This command is equivalent to setting all the options to default in the UTILITY > Options > Printer Setup > PRINT Button > Prints menu of TDS1000B and TDS2000B oscilloscopes.

---

**NOTE.** *The `HARDCopy:BUTTON`, `HARDCopy:INKSaver`, and `HARDCopy:LAYOUT` commands apply to the TDS1000B and TDS2000B oscilloscopes. Refer to page 2-117 for descriptions.*

---

### **Group**

PictBridge

### **Syntax**

PICTBridge:DEF

### **Examples**

PICTBridge:DEF

Sets the parameters for the compatible printer to the default values.

## **PICTBridge:PAPERSIZE** **(TDS1000B and TDS2000B Series Only)**

Sets the paper size of the hard copy from those available on the compatible printer. This command is equivalent to setting the Paper Size option in the UTILITY > Options > Printer Setup > PRINT Button > Prints menu of TDS1000B and TDS2000B oscilloscopes.

### **Group**

PictBridge

**Syntax**

PICTBridge:PAPERSIZE { DEFLT | L | L2 | HAGAKIPCARD | MM54BY86 | MM100BY150 | IN4BY6 | IN8BY10 | LETTER | IN11BY17 | A0 | A1 | A2 | A3 | A4 | A5 | A6 | A7 | A8 | A9 | B0 | B1 | B2 | B3 | B4 | B5 | B6 | B7 | B8 | B9 | ROLL89MM | ROLL127MM | ROLL100MM | ROLL210MM }

PICTBridge:PAPERSIZE?

**Arguments**

DEFLT specifies the default paper size of the printer.

Any paper size argument is valid when the paper is available for the printer.

**Examples**

PICTBridge:PAPERSIZE?

Might return LETTER as the selected paper size for the printer.

**PICTBridge:IMAGESIZE  
(TDS1000B and TDS2000B Series Only)**

Sets the size of the image to print. This command is equivalent to setting the Image Size option in the UTILITY > Options > Printer Setup > PRINT Button > Prints menu of TDS1000B and TDS2000B oscilloscopes.

**Group**

PictBridge

**Syntax**

PICTBridge:IMAGESIZE { DEFLT | IN2P5BY3P25 | L | IN4BY6 | L2 | IN8BY10 | L4 | E | CARD | HAGAKIPC | CM6BY8 | CM7BY10 | CM9BY13 | CM10BY15 | CM13BY18 | CM15BY21 | CM18BY24 | A4 | LETTER }

PICTBridge:IMAGESIZE?



**Arguments**

DEFLT specifies the default size of the image to print.

All image size arguments are valid as long as the paper size can accommodate the image. The paper size should be larger than the image size.

**Examples**

```
PICTBridge:IMAGESIZE?
```

Might return LETTER as the size of the image to print.

**PICTBridge:PAPERTYPE  
(TDS1000B and TDS2000B Series Only)**

Sets the type of paper from those available on the compatible printer. This command is equivalent to setting the Paper Type option in the UTILITY > Options > Printer Setup > PRINT Button > Prints menu of TDS1000B and TDS2000B oscilloscopes.

**Group**

PictBridge

**Syntax**

```
PICTBridge:PAPERTYPE { DEFLT | PLAIN | PHOTO |  
FASTPHOTO }
```

```
PICTBridge:PAPERTYPE?
```

**Arguments**

DEFLT specifies the type of paper used by default in the printer.

**Examples**

```
PICTBridge:PAPERTYPE?
```

Might return PLAIN as the paper type.

## **PICTBridge:PRINTQUAL** **(TDS1000B and TDS2000B Series Only)**

Sets the quality of the print from those available on the compatible printer. This command is equivalent to setting the Print Quality option in the **UTILITY > Options > Printer Setup > PRINT Button > Prints** menu of TDS1000B and TDS2000B oscilloscopes.

### **Group**

PictBridge

### **Syntax**

PICTBridge:PRINTQUAL { DEFLT | NRMAL | FINE | DRAFT }

PICTBridge:PRINTQUAL?

### **Arguments**

DEFLT specifies the quality of the hard copy used by default on the printer.

NRMAL prints a normal quality hard copy.

FINE prints a high quality hard copy.

DRAFT prints a low quality hard copy.

### **Examples**

PICTBridge:PRINTQUAL?

Might return DRAFT as the quality of the print.

## **PICTBridge:DATEPRINT** **(TDS1000B and TDS2000B Series Only)**

Sets the date and time to be printed on the hard copy if the feature is available on the compatible printer. This command is equivalent to setting the Date Print option in the **UTILITY > Options > Printer Setup > PRINT Button > Prints** menu of TDS1000B and TDS2000B oscilloscopes.

**Group**

PictBridge

**Syntax**

PICTBridge:DATEPRINT { DEFLT | OFF | ON }

PICTBridge:DATEPRINT?

**Arguments**

DEFLT will match the default setting of the printer: on or off.

ON prints the date and time on the hard copy.

OFF does not print the date and time.

**Examples**

PICTBridge:DATEPRINT?

Might return ON if the printer is set to print the date and time.

**PICTBridge:IDPRINT  
(TDS1000B and TDS2000B Series Only)**

Sets the oscilloscope model and serial number to be printed on the hard copy if the feature is available on the compatible printer. This command is equivalent to setting the ID Print option in the UTILITY > Options > Printer Setup > PRINT Button > Prints menu of TDS1000B and TDS2000B oscilloscopes.

**Group**

PictBridge

**Syntax**

PICTBridge:IDPRINT { DEFLT | OFF | ON }

PICTBridge:IDPRINT?

**Arguments**

DEFLT will match the default setting of the printer: on or off.

ON prints the model and serial number on the hard copy.

OFF does not print the model and serial number.

**Examples**

PICTBridge:IDPRINT?

Might return ON if the printer is set to print the model and serial number.

**POWer? (Query Only)  
(TPS2000 Series Only)**

Returns the current POWer measurement settings.

**Group**

Power and Battery-Related

**Syntax**

POWer?

**Examples**

POWER?

Might return the following:

```
:POWER:AC:PRESENT 1;:POWER:BATTERY1:GASGAUGE 0  
;STATUS NOTINSTALLED;:POWER:BATTERY2:GASGAUGE 0  
;STATUS NOTINSTALLED;:POWER:BATTERIES:TIME 0;  
:POWER:BUTTONLIGHT 1
```

**POWer:AC:PRESENT? (Query Only)  
(TPS2000 Series Only)**

Returns a statement indicating whether the oscilloscope is being powered by battery or AC.

**Group**

Power and Battery-Related

**Syntax**

POWer:AC:PRESENT?

**Returns**

0 if the oscilloscope is being powered by battery.  
1 if the oscilloscope is being powered by AC.

**Examples**

POWER:AC:PRESENT?

Might return 0, specifying that the oscilloscope is being powered by its battery.

## **POWER:BATTERY<x>:GASgauge? (Query Only) (TPS2000 Series Only)**

Returns the amount of charge remaining in Battery x, where x is Battery 1 or Battery 2.

This command is valid only if POWER:BATTERY<x>:STATUS? returns NORMAL.

**Group**

Power and Battery-Related

**Syntax**

POWer:BATTERY<x>:GASgauge?

**Returns**

<NR1>, a number between 0 and 100, indicates the charge remaining in the battery. 0 indicates the battery is fully discharged. 100 indicates the battery is fully charged.

**Examples**

POWER:BATTERY1:GASgauge?

Might return 60, specifying that battery 1 is 60% charged.

## **POWer:BATTERY<x>:STATUS? (Query Only)** **(TPS2000 Series Only)**

Returns the status of battery x, where x is Battery 1 or Battery 2.

### **Group**

Power and Battery-Related

### **Syntax**

POWer:BATTERY<x>:STATUS?

### **Returns**

FULL indicates that the battery is fully charged.

DISCHARGED indicates that the battery has no charge remaining. The battery can be discharged, but still report a small percent remaining.

UNCALIBRATED indicates that the oscilloscope cannot predict the battery charge remaining.

NOTINSTALLED indicates that the battery is not installed in the oscilloscope.

NORMAL indicates that the battery status is not any of the states listed above.

### **Examples**

POWer:BATTERY1:STATUS?

Might return FULL, which indicates that Battery 1 is at maximum capacity.

## **POWer:BATTERIES:TIME? (Query Only)** **(TPS2000 Series Only)**

Returns the charge remaining in both batteries. This value is not accurate when either battery is uncalibrated.

### **Group**

Power and Battery-Related

**Syntax**

POWer:BATTERIES:TIME?

**Returns**

<NR1> specifies the operating time remaining for both batteries in minutes.

**Examples**

POWer:BATTERIES:TIME?

Might return 10, specifying that the battery or batteries installed can provide about 10 minutes of power to the oscilloscope.

## **POWer:BUTTONLIGHT (TPS2000 Series Only)**

Turns the lights on the front-panel buttons of the TPS2000 on and off.

**Group**

Power and Battery-Related

**Syntax**

POWer:BUTTONLIGHT <NR1> | ON | OFF

POWer:BUTTONLIGHT?

**Arguments**

ON or <NR1>  $\neq$  0 turns the lights on.

OFF or <NR1> = 0 turns the lights off.

**Examples**

POWer:BUTTONLIGHT ON

Sets the front-panel button lights to on.

## **POWerANALYSIS:SOUrces** **(TPS2000 Series Only)**

Sets or queries the Power Analysis sources. This command is equivalent to setting the Sources option in the Power Analysis menu. It does not affect the sources for any customer-visible PI measurements.

### **Group**

Power Measurement

### **Syntax**

```
POWerANALYSIS:SOUrces { CH1CH2 | CH3CH4 }
```

```
POWerANALYSIS:SOUrces?
```

### **Arguments**

CH1CH2 selects Channel 1 and Channel 2 as the power analysis source.

CH3CH4 selects Channel 3 and Channel 4 as the power analysis source.

---

**NOTE.** The “CH3CH4” argument is only valid for instruments with four channels.

---

### **Examples**

```
POWerANALYSIS:SOUrces CH1CH2
```

Specifies Channel 1 and Channel 2 as the power analysis source.

```
POWerANALYSIS:SOUrces?
```

Might return CH1CH2.



## **\*PSC**

Sets and queries the power-on status flag that controls the automatic power-on handling of the DESER, SRER, and ESER registers. When \*PSC is true, the DESER register is set to 255 and the SRER and ESER registers are set to 0 at power on. When \*PSC is false, the current values in the DESER, SRER, and ESER registers are preserved in nonvolatile memory when power is shut off and are restored at power on. Refer to the *Status and Events* chapter on page 3-1 for more information.

### **Group**

Status and Error

### **Syntax**

\*PSC <NR1>

\*PSC?

### **Arguments**

<NR1> = 0 sets the power-on status clear flag to false, disables the power on clear, and allows the oscilloscope to possibly assert SRQ after power on.

<NR1> ≠ 0 sets the power-on status clear flag true. Sending \*PSC 1, therefore, enables the power-on status clear and prevents any SRQ assertion after power on.

### **Examples**

\*PSC 0

Sets the power-on status clear flag to false.

\*PSC?

Might return the value 1, showing that the power-on status clear flag is set to true.

### **Related Commands**

DESE, \*ESE, FACTory, \*RST, \*SRE

## **\*RCL (Set Only)**

Restores the state of the oscilloscope from a copy of its settings stored in memory. (The settings are stored using the \*SAV command.) This command is equivalent to RECALL:SETUp, and performs the same function as the Recall Saved Setup item in the front-panel Save/Recall Setup menu.

### **Group**

Save and Recall

### **Syntax**

\*RCL <NR1>

### **Arguments**

<NR1> is an integer value in the range from 1 to 5 (TDS200 series), or 1 to 10 (TDS1000, TDS2000, TDS1000B, TDS2000B, and TPS2000 series), and specifies a setup storage location.

### **Examples**

\*RCL 3

Restores the oscilloscope from a copy of the settings stored in memory location 3.

### **Related Commands**

FACTory, \*LRN?, RECALL:SETUp, \*RST, \*SAV, SAVe:SETUp

## **RECALL:SETUp (Set Only)**

Restores a stored or factory front-panel setup of the oscilloscope from internal nonvolatile memory, or from a file on the Compact-Flash card (TDS2MEM and TPS2000 series only), or on the USB flash drive (TDS1000B and TDS2000B series only). When used with the FACTORY argument, this command is equivalent to pushing the DEFAULT SETUP front-panel button.

**Group**

Save and Recall

**Syntax**

RECALL:SETUp { FACTory | &lt;NR1&gt; | &lt;file path&gt; }

**Arguments**

FACTory selects the factory setup.

<NR1> is a value in the range from 1 to 5 (TDS200 series), or from 1 to 10 (TDS1000, TDS2000, TDS1000B, TDS2000B, and TPS2000 series), and specifies a setup storage location.

<file path> (TDS2MEM, TDS1000B, TDS2000B, and TPS2000 series only) is a quoted string that defines the location and name of the setup file to recall from the CompactFlash card or the USB flash drive. If you do not specify a path to the folder, the TDS2MEM looks for the file in the current working folder. The current folder refers to the name of a folder as returned by the FILESystem:CWD query.

**Examples**

RECALL:SETUp FACTory

Recalls the oscilloscope setup to its factory defaults.

RECALL:SETUp "A:\TSTSETUP\PRTST01.SET"

Recalls the oscilloscope settings from the file PRTST01.SET file on the CompactFlash card (TDS2MEM and TPS2000 series only), or on the USB flash drive (TDS1000B and TDS2000B series only).

**Related Commands**

FACTory, \*RCL, \*RST, \*SAV, SAVe:SETUp

**RECALL:WAVEForm (Set Only)  
(TDS2MEM, TDS1000B, TDS2000B, and TPS2000 Series Only)**

Recalls a stored waveform from the CompactFlash card (TDS2MEM and TPS2000 series only), or from the USB flash drive (TDS1000B and TDS2000B series only) into a reference location.

**Group**

Save and Recall

**Syntax**

RECALL:WAVEForm <file path>,REF<x>

**Arguments**

<file path> is a quoted string that defines the location and name of the waveform file to recall. If you do not specify a path to the folder, the oscilloscope looks for the file in the current working folder. The current folder refers to the name of a folder as returned by the FILESystem:CWD query.

REF<x> is the oscilloscope reference memory location in which to load the waveform. You must load a saved waveform into a reference memory location before displaying the waveform.

**Examples**

RECALL:WAVEForm "A:\TST-PRD\TST-01.CSV", REFC

Loads the waveform file TST-01.CSV into reference memory RefC. Then use SELEct:REFC to display this waveform.

**Related Commands**

SAVE:WAVEForm, SELEct:<wfm>

## REM (Set Only)

Specifies a comment. This line is ignored by the oscilloscope.

**Group**

Miscellaneous

**Syntax**

REM <QString>

**Arguments**

<QString> is a string that can have a maximum of 80 characters.

**Examples**

```
REM "This is a comment"
```

This command is ignored by the oscilloscope.

**RS232? (Query Only)  
(TDS200, TDS1000, TDS2000, and TPS2000 Series Only)**

Returns the RS232 settings.

**Group**

RS-232

**Syntax**

```
RS232?
```

**Returns**

The current RS-232 settings

**Examples**

```
RS232?
```

Might return the following string:

```
:RS232:BAUD 9600; SOFTFLAGGING 0; HARDFLAGGING 1;  
PARITY NONE; TRANSMIT:TERMINATOR LF
```

**RS232:BAUd  
(TDS200, TDS1000, TDS2000, and TPS2000 Series Only)**

Sets or queries the RS-232C interface transmission speed. If no flow control (flagging) is used, commands may be received faster than the oscilloscope can process them. Also, if another command is sent immediately after this command, without waiting for the baud rate to be programmed, the first couple of characters may be lost.

**Group**

RS-232

**Syntax**

RS232:BAUD <NR1>

RS232:BAUD?

**Arguments**

<NR1> which can be 300, 600, 1200, 2400, 4800, 9600, or 19200.

**Examples**

RS232:BAUD 9600

Sets the transmission rate to 9600 baud.

**RS232:HARDFlagging  
(TDS200, TDS1000, TDS2000, and TPS2000 Series Only)**

Sets or queries the state of RS232 hard flagging. When hard flagging is enabled, the oscilloscope sends data as long as CTS (Clear To Send) is asserted. When receiving data, the oscilloscope asserts RTS (Request To Send) until the input buffer is almost full. When the oscilloscope no longer asserts RTS, it continues to read incoming data until the input buffer is full and then reports an input overrun error. The oscilloscope asserts DTR (Data Terminal Ready) at all times when the oscilloscope power is on.

Hard flagging and soft flagging cannot be on at the same time. However, hard and soft flagging can both be off at the same time. Turning hard flagging on turns soft flagging off. Turning soft flagging on turns hard flagging off.

**Group**

RS-232

**Syntax**

RS232:HARDFlagging { ON | OFF | <NR1> }

RS232:HARDFlagging?

**Arguments**

ON or <NR1> ≠ 0 activates hard flagging and turns off soft flagging.

OFF or <NR1> = 0 deactivates hard flagging (RTS always asserted).

**Examples**

RS232:HARDFlagging ON

Activates hard flagging and deactivates soft flagging.

**RS232:PARity**  
**(TDS200, TDS1000, TDS2000, and TPS2000 Series Only)**

Sets or queries the parity used for all RS-232C data transfers. When parity is odd or even, the oscilloscope generates the selected parity on output and checks all input against the selected parity. When parity is none, the oscilloscope performs no input parity error checks and generates no output parity.

When the parity (ninth) bit does not match the parity type, the oscilloscope reports a parity error. If another command is sent immediately after this command, without waiting for the parity to be programmed, the first few characters may be lost.

**Group**

RS-232

**Syntax**

RS232:PARity { EVEN | ODD | NONE }

RS232:PARity?

**Arguments**

EVEN sets even parity.

ODD sets odd parity.

NONE sets no parity (no ninth bit transmitted).

**Examples**

RS232:PARity EVEN\

Sets even parity.

**RS232:SOFTFlagging  
(TDS200, TDS1000, TDS2000, and TPS2000 Series Only)**

Sets or queries the input and output soft flagging over the RS-232C port. After receiving an XOFF (DC3), the oscilloscope sends two or less characters. The oscilloscope begins transmitting data again when it receives an XON (DC1) character.

The oscilloscope sends an XOFF character when its input buffer is running out of space. After sending an XOFF character it can receive at least 20 more bytes. It sends XON when its input buffer has an acceptable number of free bytes.

When soft flagging is enabled and binary data is transferred, data transmission will lock up if the data contains XOFF or XON characters.

Hard flagging and soft flagging cannot be active at the same time. However, hard and soft flagging can both be inactive at the same time. Activating soft flagging deactivates hard flagging. Activating hard flagging deactivates soft flagging.

**Group**

RS-232

**Syntax**

RS232:SOFTFlagging { ON | OFF | <NR1> }

RS232:SOFTFlagging?

**Arguments**

ON or NR1  $\neq$  0 activates soft flagging and deactivates hard flagging.

OFF or NR1 = 0 deactivates soft flagging.



**Examples**

```
RS232:SOFTFlagging ON
```

Activates soft flagging and deactivates hard flagging.

**RS232:TRANsmit:TERMinator  
(TDS200, TDS1000, TDS2000, and TPS2000 Series Only)**

Sets or queries the end-of-line (EOL) terminator. When transmitting, the oscilloscope appends the terminator to the end of each message. When receiving, the oscilloscope accepts all four terminators, regardless of the currently selected terminator. When a combination of multiple characters is selected (CRLF or LFCr), the oscilloscope interprets the first character as the terminator; it treats the second character as a null command.

CR represents an ASCII carriage return character (0x0D) and LF represents an ASCII linefeed character (0x0A).

**Group**

RS-232

**Syntax**

```
RS232:TRANsmit:TERMinator { CR | LF | CRLf | LFCr }
```

```
RS232:TRANsmit:TERMinator?
```

**Arguments**

CR selects the carriage return character as the EOL terminator.

LF selects the line feed character as the EOL terminator.

CRLf selects the carriage return and line feed characters as the EOL terminator.

LFCr selects the line feed and carriage return characters as the EOL terminator.

**Examples**

```
RS232:TRANsmit:TERMinator CR
```

Sets the carriage return as the EOL terminator.

## **\*RST (Set Only)**

(Reset) Returns the oscilloscope to a known set of oscilloscope settings, but does not purge any stored settings. This command executes a subset of the FACTory command.

### **Group**

Status and Error

### **Syntax**

\*RST

Sending the \*RST command does the following:

- Returns the oscilloscope settings to the factory defaults (refer to *Appendix B: Factory Setup*)
- Sets the macro defined by \*DDT to a zero-length field
- Clears the pending operation flag and associated operations

The \*RST command does not alter the following items:

- State of the RS-232, GPIB, or USB interface
- Calibration data that affects device specifications
- Current GPIB oscilloscope address
- Stored settings or waveforms
- Output queue
- Service Request Enable Register settings
- Standard Event Status Enable Register settings
- Power-On Status Clear flag setting
- Hard copy parameters
- Response Header Enable State
- Front panel LOCK state
- Verbose State
- Display Brightness, TPS2000 series only

- Display Contrast (TDS1000, TDS2000, TDS1000B, TDS2000B, and TPS2000 series only)

**Related Commands**

FACTory, \*PSC, \*RCL, RECALL:SETUp, \*SAV, SAVE:SETUp

**\*SAV (Set Only)**

(Save) Stores the state of the oscilloscope into a specified nonvolatile memory location. You can later use the \*RCL command to restore the oscilloscope to this saved state. This is equivalent to selecting the Save Setup option in the Save/Recall Setup menu.

**Group**

Save and Recall

**Syntax**

\*SAV <NR1>

**Arguments**

<NR1> is an integer value in the range from 1 to 5 (TDS200 series) or from 1 to 10 (TDS1000, TDS2000, TDS1000B, TDS2000B, and TPS2000 series) and specifies a memory location. Any settings that have been stored previously at this location are overwritten.

**Examples**

\*SAV 2

Saves the current settings in memory location 2.

**Related Commands**

FACTory, \*RCL, RECALL:SETUp, SAVE:SETUp

## **SAVe:IMAge (Set Only)**

### **(TDS2MEM, TDS1000B, TDS2000B, and TPS2000 Series Only)**

Saves the screen image to a file on the CompactFlash card (TDS2MEM and TPS2000 series only), or on the USB flash drive (TDS1000B and TDS2000B series only).

#### **Group**

Save and Recall

#### **Syntax**

SAVe:IMAge <file path>

#### **Arguments**

<file path> is a quoted string that defines the path and name of the screen image file to save. Use file name extensions that are appropriate for image format. If you do not specify a path to a folder, the oscilloscope saves the screen image file in the current working folder, using the current save image file format. The current folder refers to the name of a folder as returned by the FILESystem:CWD query.

Use the SAvE:IMAge:FILEFormat command to set the screen image graphical file format.

#### **Examples**

SAVe:IMAge "A:\PROD-TST\VID-EVAL.BMP"

Saves the screen image to the file VID-EVAL.BMP in the folder A:\PROD-TST on the CompactFlash card (TDS2MEM and TPS2000 series only), or on the USB flash drive (TDS1000B and TDS2000B series only).

#### **Related Commands**

SAVe:IMAge:FILEFormat

## **SAVe:IMAge:FILEFormat** **(TDS2MEM, TDS1000B, TDS2000B, and TPS2000 Series Only)**

Sets the screen image file format used by the SAvE:IMAge command and by the SAvE > Action > Save Image and SAvE > Action > Save All front-panel operations.

### **Group**

Save and Recall

### **Syntax**

```
SAVe:IMAge:FILEFormat {BMP | EPSIMAGE | JPG | PCX | RLE  
| TIFF}
```

### **Arguments**

BMP sets the screen image file format to Microsoft Windows Bitmap format.

EPSIMAGE sets the screen image file format to Postscript format.

JPG (TDS1000B and TDS2000B series only) sets the screen image file format to JPEG bitmap (uses a lossy file compression algorithm).

PCX sets the screen image file format to DOS Paintbrush format.

RLE sets the screen image file format to Windows color image file format (\*.RLE). Use RLE for faster transfer rates and smaller resulting files. Many programs that recognize .BMP files also recognize .RLE files.

TIFF sets the screen image file format to Tagged Image File Format.

### **Examples**

```
SAVe:IMAge:FILEFormat TIFF
```

Sets the screen image graphical file format to TIFF.

### **Related Commands**

SAVe:IMAge

## SAVe:SETUp (Set Only)

Saves the current state of the oscilloscope into the specified nonvolatile memory location, or to a file on the CompactFlash card (TDS2MEM and TPS2000 series only), or on the USB flash drive (TDS1000B and TDS2000B series only). This is equivalent to selecting the Save Setup option in the Save/Recall Setup menu.

### Group

Save and Recall

### Syntax

SAVe:SETUp {<NR1> | <file path>}

### Arguments

<NR1> is an integer value in the range from 1 to 5 (TDS200 series), or 1 to 10 (TDS1000, TDS2000, TDS1000B, TDS2000B, and TPS2000 series), and specifies a memory location. Any settings that have been stored previously at this location are overwritten.

<file path> (TDS2MEM, TDS1000B, TDS2000B, and TPS2000 series only) is a quoted string that defines the path and name of the setup file to save. Use the extension .SET for oscilloscope setup file names.

If you do not specify a path to a folder, the TDS2MEM saves the setup file in the current working folder. The current folder refers to the name of a folder as returned by the FILESystem:CWD query.

### Examples

```
SAVe:SETUp 5
```

Saves the current front-panel setup to memory location 5.

```
SAVe:SETUp "A:\PROD-TST\VID-EVAL.SET"
```

Saves the oscilloscope settings to the file VID-EVAL.SET in the folder A:\PROD-TST on the CompactFlash card (TDS2MEM and TPS2000 series only), or on the USB flash drive (TDS1000B and TDS2000B series only).

**Related Commands**

RECALL:SETUp, \*RCL, \*SAV

**SAVe:WAVEform (Set Only)**

Stores a waveform in one of the nonvolatile reference memory locations, or to a file on the CompactFlash card (TDS2MEM and TPS2000 series only), or on the USB flash drive (TDS1000B and TDS2000B series only). This command is equivalent to selecting the Save Waveform option in the Save/Recall Waveform menu.

**Group**

Save and Recall

**Syntax**

SAVe:WAVEform &lt;wfm&gt;, {REF&lt;x&gt; | &lt;file path&gt;}

**Arguments**

<wfm> is CH<y> (one of the allowable channels) or MATH. This is the waveform that will be saved. For TDS2MEM module and TPS2000 series, <wfm> can also be a reference waveform location (for example REF4) if the destination is <file path>.

REF<x> is one of the allowable reference waveform storage locations.

<file path> (TDS2MEM, TDS1000B, TDS2000B, and TPS2000 series only) is a quoted string that defines the path and name of the waveform file to save on the CompactFlash card (TDS2MEM and TPS2000 series only), or on the USB flash drive (TDS1000B and TDS2000B series only). Use the extension .CSV for saved waveform files. Waveform data is saved as self-documented comma-separated ASCII values.

If you do not specify a path to a folder, the TDS2MEM creates the waveform file in the current working folder. The current folder refers to the name of a folder as returned by the FILESystem:CWD query.

**Examples**

SAVe:WAVEform MATH, REFB

Saves the math waveform in stored waveform memory location REFB.

SAVE:WAVEform CH1, "A:\PROD-TST\FRQTST03.CSV"

Saves the channel 1 waveform data to the file FRQTST03.CSV in the folder A:\PROD-TST on the CompactFlash card (TDS2MEM and TPS2000 series only), or on the USB flash drive (TDS1000B and TDS2000B series only).

**Related Commands**

SElect:<wfm> can be used to display a saved reference waveform.

**SElect? (Query Only)**

Returns the display status of all waveforms.

**Group**

Vertical

**Syntax**

SElect?

**Returns**

Waveform display status

**Examples**

SElect?

2-channel models with CH2, Math and REFB waveforms displayed would return :SELECT:CH1 0;CH2 1;MATH 1;REFA 0;REFB 1

4-channel models with CH1 through CH4 displayed, Math disabled, REFA displayed, and REFD displayed would return :SELECT:CH1 1;CH2 1;CH3 1;CH4 1;MATH 0;REFA 1;REFB 0;REFC 0;REFD 1



## SElect:<wfm>

Controls the display of waveforms. This command is equivalent to activating or deactivating a waveform from the oscilloscope front panel.

### Group

Vertical

### Syntax

SElect:<wfm> { OFF | ON | <NR1> }

SElect:<wfm>?

### Arguments

OFF or <NR1> = 0 deactivates the display of the specified waveform.

ON or <NR1>  $\neq$  0 activates the display of the specified waveform.

<wfm> can be CH<x>, MATH, or REF<y>. Refer to *Constructed Mnemonics* on page 2-9 for more information.

### Examples

SElect:CH2 ON

Displays channel 2.

SElect:REFA?

Returns either 0 or 1, indicating whether the REFA waveform is displayed.

## SET? (Query Only)

Returns most oscilloscope settings. You can send these responses back to the oscilloscope to return the oscilloscope to the state it was in when you sent SET?. This query is identical to the \*LRN? query.

### Group

Miscellaneous

### Syntax

SET?

---

**NOTE.** The SET? query always returns command headers, regardless of the setting of the HEADer command. This is because the returned data is intended to be able to be sent back to the oscilloscope as concatenated commands. The VERBose command can still be used to specify whether the returned headers should be abbreviated or full length.

---

### Returns

Most oscilloscope settings. See *Appendix B: Factory Setup*.

### Examples

SET?

A partial return string may look like the following:

```
:ACQUIRE:STOPAFTER RUNSTOP;STATE 1;MODE SAMPLE;  
NUMAVG 16;:HEADER 1;:VERBOSE 1;:DISPLAY:FORMAT YT;STYLE  
VECTORS;PERSISTENCE 500.0E-3;CONTRAST 50;:LOCK  
NONE;:HARDCOPY:FORMAT EPSON;PORT RS232;LAYOUT PORTRAIT;
```

### Related Commands

HEADer, \*LRN?, VERBose

## \*SRE

(Service Request Enable) sets and queries the bits in the Service Request Enable Register (SRER). Refer to the *Status and Events* chapter on page 3-1 for more information.

### Group

Status and Error

### Syntax

\*SRE <NR1>

\*SRE?

### Arguments

<NR1> is an integer value in the range from 0 to 255. The binary bits of the SRER are set according to this value. Using an out-of-range value causes an execution error. The power-on default for SRER is 0 if \*PSC is 1. If \*PSC is 0, the SRER maintains its value through a power cycle.

### Examples

\*SRE 48

Sets the bits in the SRER to 00110000 binary.

\*SRE?

Might return a value of 32, showing that the bits in the SRER have the binary value 00100000.

### Related Commands

\*CLS, DESE, \*ESE, \*ESR?, EVENT?, EVMSg?, FACTory, \*PSC, \*STB?

## \*STB? (Query Only)

(Read Status Byte) query returns the contents of the Status Byte Register (SBR) using the Master Summary Status (MSS) bit. Refer to the *Status and Events* chapter on page 3-1 for more information.

### Group

Status and Error

### Syntax

\*STB?

### Returns

<NR1>

**Examples**

\*STB?

Might return the value 96, showing that the SBR contains the binary value 01100000.

**Related Commands**

\*CLS, DESE, \*ESE, \*ESR?, EVENT?, EVMSg?, FACtory, \*SRE

**SWLoss? (Query only)**

**(TPS2000 Series with TPS2PWR1 Power Analysis Module Only)**

Returns the current Switching Loss measurement settings.

**Group**

Power Measurement

**Syntax**

SWLoss?

**Examples**

SWLoss?

Might return the following:

```
:SWLOSS:ACQUIRE CONTINUOUS;ENABLE ON;SOURCES  
CH1CH2;STOPAFTER 10 ;TONSTART 90;TONEND 10;TOFFSTART  
10;TOFFEND 10;VSAT 4.300000190735E0;UNITS WATTS
```

**SWLoss:ACquire**

**(TPS2000 Series with TPS2PWR1 Power Analysis Module Only)**

Sets or queries the type of acquisition used for Switching Loss measurements.

**Group**

Power Measurement

**Syntax**

SWLoss:ACquire { STOPAfter | CONTINUOUS }

SWLoss:ACquire?

**Arguments**

STOPAfter instructs the oscilloscope to perform measurements on N acquisitions and then stop.

CONTINUOUS instructs the oscilloscope to continuously acquire waveforms and display measurements.

**Examples**

SWLoss:ACquire?

Might return SWLOSS:ACQUIRE CONTINUOUS, indicating that the oscilloscope is continuously taking switching loss measurements.

**Related Commands**

SWLoss:STOPAfter

## **SWLoss:AVERage:CONDUCTION? (Query Only) (TPS2000 Series with TPS2PWR1 Power Analysis Module Only)**

Returns the power loss of the device under test when the device is conducting in its on state. The oscilloscope reports this measurement in the Avg. column of the Switching Loss display.

You must enter the saturation voltage of the device under test using the SWLoss:VSAT command.

---

**NOTE.** This command returns error 221 (settings conflict) if the Switching Loss menu is not active.

---

**Group**

Power Measurement

**Syntax**

SWLoss:AVerage:CONDUCTION?

**Returns**

<NR3>

**Examples**

SWLoss:AVerage:CONDUCTION?

Might return 6.0880498608E-2.

**SWLoss:AVerage:N? (Query Only)  
(TPS2000 Series with TPS2PWR1 Power Analysis Module Only)**

Returns the number of measurements used to calculate the AVG. (averaged) measurement value for switching loss measurements.

---

**NOTE.** This command returns error 221 (settings conflict) if the Switching Loss menu is not active.

---

**Group**

Power Measurement

**Syntax**

SWLoss:AVerage:N?

**Returns**

<NR1>

**Examples**

SWLoss:AVerage:N?

Might return 185, indicating that the oscilloscope used 185 measurements to calculate the average.

## **SWLoss:AVERage:TOTAL? (Query Only)** **(TPS2000 Series with TPS2PWR1 Power Analysis Module Only)**

Returns the sum of the Turn-On, Turn-Off, and Conduction switching losses. The oscilloscope reports this measurement in the Avg column of the Switching Loss display.

---

**NOTE.** *This command returns error 221 (settings conflict) if the Switching Loss menu is not active.*

---

### **Group**

Power Measurement

### **Syntax**

SWLoss:AVERage:TOTAL?

### **Returns**

<NR3>

### **Examples**

SWLoss:AVERage:TOTAL?

Might return 9.1715589532E-2.

## **SWLoss:AVERage:TURNOff? (Query Only)** **(TPS2000 Series with TPS2PWR1 Power Analysis Module Only)**

Returns the power loss of the device under test when the device is transitioning between its on and off state. The oscilloscope reports this measurement in the Avg column of the Switching Loss display.

You must enter the saturation voltage of the device under test using the SWLoss:VSAT command.

---

**NOTE.** This command returns error 221 (settings conflict) if the Switching Loss menu is not active.

---

**Group**

Power Measurement

**Syntax**

SWLoss:AVErage:TURNOFF?

**Returns**

<NR3>

**Examples**

SWLoss:AVErage:TURNOFF?

Might return 1.3790115628E-2.

**SWLoss:AVErage:TURNON? (Query Only)  
(TPS2000 Series with TPS2PWR1 Power Analysis Module Only)**

Returns the power loss of the device under test when the device is transitioning between its off and on state. The oscilloscope reports this measurement in the Avg column of the Switching Loss display.

You must enter the saturation voltage of the device under test using the SWLoss:VSAT command.

---

**NOTE.** This command returns error 221 (settings conflict) if the Switching Loss menu is not active.

---

**Group**

Power Measurement



**Syntax**

SWLoss:AVERage:TURNON?

**Returns**

<NR3>

**Examples**

SWLoss:AVERage:TURNON?

Might return 1.698264356E-2.

## **SWLoss:ENABLE** **(TPS2000 Series with TPS2PWR1 Power Analysis Module Only)**

Sets or queries the switching loss menu, on or off.

**Group**

Power Measurement

**Syntax**

SWLoss:ENABLe { ON | OFF }

SWLoss:ENABLe?

**Arguments**

ON enables the switching loss menu.

OFF disables the switching loss menu.

**Examples**

SWLoss:ENABLe ON

Sets the switching loss measurement to on.

## **SWLoss:LEVELS (Set Only)** **(TPS2000 Series with TPS2PWR1 Power Analysis Module Only)**

Returns the Switching Loss measurement levels to factory default values for the following commands:

SWLoss:TONSTART  
SWLoss:TONEND  
SWLoss:TOFFSTART  
SWLoss:TOFFEND

### **Group**

Power Measurement

### **Syntax**

SWLoss:LEVELS { DEFault }

### **Arguments**

DEFault sets Switching Loss measurement levels to default values.

### **Examples**

SWLoss:LEVELS DEFault

Returns Switching Loss measurement levels to default values.

## **SWLoss:LOG:CONDUCTION? (Query Only)** **(TPS2000 Series with TPS2PWR1 Power Analysis Module Only)**

Returns the Conduction Loss for the switching loss measurement specified by the SWLoss:LOG:INDEX command.

---

**NOTE.** *The oscilloscope generates error 221 if the SWLoss:LOG:INDEX? command returns a number greater than that reported by SWLoss:AVERage:N? This indicates that insufficient measurements have been taken to generate a log report.*

---

**Group**

Power Measurement

**Syntax**

SWLoss:LOG:CONDUCTION?

**Returns**

&lt;NR3&gt;

**Examples**

SWLoss:LOG:CONDUCTION?

Might return 6.0524113476E-2.

**Related Commands**

SWLoss:LOG:INDEX

SWLoss:LOG:TOTAL?

SWLoss:LOG:TURNON?

SWLoss:LOG:TUNROFF?

## SWLoss:LOG:INDEX

### (TPS2000 Series with TPS2PWR1 Power Analysis Module Only)

Sets or queries which measurement to return for the following commands: SWLoss:LOG:CONDUCTION?, SWLoss:LOG:TOTAL?, SWLoss:LOG:TURNON?, and SWLoss:LOG:TURNROFF?.

---

**NOTE.** The SWLoss:AVerage:N? command returns the number of measurements currently accumulated in the log.

---

**Group**

Power Measurement

**Syntax**

SWLoss:LOG:INDEX &lt;NR1&gt;

SWLoss:LOG:INDEX?

**Arguments**

<NR1> The default value is 1.

**Examples**

SWLoss:LOG:INDEX?

Might return 5.

**SWLoss:LOG:TOTAL? (Query Only)  
(TPS2000 Series with TPS2PWR1 Power Analysis Module Only)**

Returns the Total Loss for a switching loss measurement specified by the SWLoss:LOG:INDEX command.

---

**NOTE.** *The oscilloscope generates error 221 if the SWLoss:LOG:INDEX? command returns a number greater than that reported by SWLoss:AVERAGE:N? This indicates that insufficient measurements have been taken to generate a log report.*

---

**Group**

Power Measurement

**Syntax**

SWLoss:LOG:TOTAL?

**Returns**

<NR3>

**Examples**

SWLoss:LOG:TOTAL?

Might return 9.0796045959E-2.

**Related Commands**

SWLoss:LOG:INDEX

SWLoss:LOGCONDUCTION?

SWLoss:LOG:TURNON?  
SWLoss:LOG:TUNROFF?

## **SWLoss:LOG:TURNOFF? (Query Only)** **(TPS2000 Series with TPS2PWR1 Power Analysis Module Only)**

Returns the Turn-Off Loss for a switching loss measurement specified by the SWLoss:LOG:INDEX command.

---

**NOTE.** *The oscilloscope generates error 221 if the SWLoss:LOG:INDEX? command returns a number greater than that reported by SWLoss:AVerage:N?. This indicates that insufficient measurements have been taken to generate a log report.*

---

### **Group**

Power Measurement

### **Syntax**

SWLoss:LOG:TUNROFF?

### **Returns**

<NR3>

### **Examples**

SWLoss:LOG:TUNROFF?

Might return 1.3477193192E-2.

### **Related Commands**

SWLoss:LOG:INDEX  
SWLoss:LOGCONDUCTION?  
SWLoss:LOG:TURNON?  
SWLoss:LOG:TOTAL?

## **SWLoss:LOG:TURNON? (Query Only)** **(TPS2000 Series with TPS2PWR1 Power Analysis Module Only)**

Returns the Turn-On Loss for a switching loss measurement specified by the SWLoss:LOG:INDEX command.

---

**NOTE.** *The oscilloscope generates error 221 if the SWLoss:LOG:INDEX? command returns a number greater than that reported by SWLoss:AVERAGE:N? This indicates that insufficient measurements have been taken to generate a log report.*

---

### **Group**

Power Measurement

### **Syntax**

SWLoss:LOG:TURNON?

### **Returns**

<NR3>

### **Examples**

SWLoss:LOG:TURNON?

Might return 1.7111644149E-2.

### **Related Commands**

SWLoss:LOG:INDEX

SWLoss:LOGCONDUCTION?

SWLoss:LOG:TURNOFF?

SWLoss:LOG:TOTAL?

## **SWLoss:SAVE**

### **(TPS2000 Series with TPS2PWR1 Power Analysis Module Only)**

Saves the Switching Loss measurements to the oscilloscope CompactFlash card. Uses .CSV format.

---

**NOTE.** *You can view the contents of the saved file on your personal computer. You cannot recall saved Switching Loss files to the oscilloscope.*

---

#### **Group**

Power Measurement

#### **Syntax**

SWLoss:SAVE <filename>

SWLoss:SAVE?

#### **Arguments**

<filename> specifies the file name and full path to save switching loss measurement data.

#### **Examples**

SWLoss:SAVE "A:\Data2.CSV"

Specifies the file name and path to save switching loss measurement data to the oscilloscope CompactFlash card.

## **SWLoss:SOURCES**

### **(TPS2000 Series with TPS2PWR1 Power Analysis Module Only)**

Sets or queries the input sources for Switching Loss measurements.

Before taking measurements, you must use the CH<x>:YUNit command to set the units of the voltage and current sources.

**Group**

Power Measurement

**Syntax**

SWLoss:SOURCES { CH1CH2 | CH3CH4 }

SWLoss:SOURCES?

**Arguments**

CH1CH2 specifies Channel 1 and Channel 2 as the input sources.

CH3CH4 specifies Channel 3 and Channel 4 as the input sources.

---

**NOTE.** The “CH3CH4” argument is only valid for instruments with four channels.

---

**Examples**

SWLoss:SOURCES?

Might return CH1CH2.

**Related Commands**

CH<x>:YUNit

## **SWLoss:STOPAfter (TPS2000 Series with TPS2PWR1 Power Analysis Module Only)**

Sets or queries the number of measurements used for Switching Loss measurement.

**Group**

Power Measurement

**Syntax**

SWLoss:STOPafter <NR1>

SWLoss:STOPafter?



**Arguments**

<NR1> defines the number of measurements you want to include.

**Examples**

SWLoss:STOPafter?

Might return 15, indicating that the oscilloscope will take fifteen measurements and stop.

**Related Commands**

SWLoss:ACquire

## **SWLoss:TOFFEND** **(TPS2000 Series with TPS2PWR1 Power Analysis Module Only)**

Sets or queries a level on the first falling edge of the current waveform that occurs after the turn-off start point (SWLoss:TOFFSTART).

The Turn-Off loss measurement is calculated by integrating the math waveform between the turn-off start (SWLoss:TOFFSTART) and turn-off end (SWLoss:TOFFEND) points.

**Group**

Power Measurement

**Syntax**

SWLoss:TOFFEND <NR1>

SWLoss:TOFFEND?

**Arguments**

<NR1> in percent. Default value is 10.

**Examples**

SWLoss:TOFFEND?

Might return 10, indicating that Switching Loss Turn-off End is set to 10%.

**Related Commands**

SWLoss:TOFFSTART  
SWLoss:TONSTART  
SWLoss:TONEND  
SWLoss:LEVELS

**SWLoss:TONEND**

**(TPS2000 Series with TPS2PWR1 Power Analysis Module Only)**

Sets or queries a level on the first falling edge of the voltage waveform.

The Turn-On loss measurement is calculated by integrating the math waveform between the turn-on start (SWLoss:TONSTART) and turn-on end (SWLoss:TONEND) points.

**Group**

Power Measurement

**Syntax**

SWLoss:TONEND <NR1>

SWLoss:TONEND?

**Arguments**

<NR1> in percent. Default value is 10.

**Examples**

SWLoss:TONEND?

Might return 10, indicating that Switching Loss Turn-off Start is set to 10%.

**Related Commands**

SWLoss:TONSTART  
SWLoss:TOFFSTART  
SWLoss:TOFFEND  
SWLoss:LEVELS

## **SWLoss:TOFFSTART**

### **(TPS2000 Series with TPS2PWR1 Power Analysis Module Only)**

Sets or queries a level on the rising edge of the voltage waveform.

The Turn-Off loss measurement is calculated by integrating the math waveform between the turn-off start (SWLoss:TOFFSTART) and turn-off end (SWLoss:TOFFEND) points.

#### **Group**

Power Measurement

#### **Syntax**

SWLoss:TOFFSTART <NR1>

SWLoss:TOFFSTART?

#### **Arguments**

<NR1> in percent. Default value is 10.

#### **Examples**

SWLoss:TOFFSTART?

Might return 10, indicating that Switching Loss Turn-on End is set to 10%.

#### **Related Commands**

SWLoss:TOFFEND

SWLoss:TONSTART

SWLoss:TONEND

SWLoss:LEVELS

## **SWLoss:TONSTART**

### **(TPS2000 Series with TPS2PWR1 Power Analysis Module Only)**

Sets or queries a level on the falling edge of the voltage waveform.

The Turn-On loss measurement is calculated by integrating the math waveform between the turn-on start (SWLoss:TONSTART) and turn-on end (SWLoss:TONEND) points.

### Group

Power Measurement

### Syntax

SWLoss:TONSTART <NR1>

SWLoss:TONSTART?

### Arguments

<NR1> in percent. Default value is 90.

### Examples

SWLoss:TONSTART?

Might return 80, indicating that Switching Loss Turn-on Start is set to 80%.

### Related Commands

SWLoss:TONEND

SWLoss:TOFFSTART

SWLoss:TOFFEND

SWLoss:LEVELS

## SWLoss:UNITS

### (TPS2000 Series with TPS2PWR1 Power Analysis Module Only)

Sets or queries the units for Switching Loss measurements.

### Group

Power Measurement

### Syntax

SWLoss:UNITS { WATTS | JOULES }

SWLoss:UNITs?

**Arguments**

WATTS sets the measurement units to Watts.

JOULES sets the measurement units to Joules.

**Examples**

SWLoss:UNITs?

Might return WATTS, indicating that the current measurement units are Watts.

---

**NOTE.** *If the units are Watts, the trigger type must be Edge and the trigger source must be a channel specified by SWLoss:SOURCES.*

---

## **SWLoss:VALue:CONDUCTION? (Query Only) (TPS2000 Series with TPS2PWR1 Power Analysis Module Only)**

Returns the power loss of the device under test when the device is conducting in its on state. You must enter the saturation voltage of the device under test using the SWLoss:VSAT command.

This command returns an immediate-measurement value that does not depend of the current oscilloscope menu.

**Group**

Power Measurement

**Syntax**

SWLoss:VALue:CONDUCTION?

**Returns**

<NR3>

**Returns**

SWLoss:VALue:CONDUCTION?

Might return 6.0166666667E-2.

**SWLoss:VALue:TOTAL? (Query Only)**  
**(TPS2000 Series with TPS2PWR1 Power Analysis Module Only)**

Returns the sum of the Turn-On, Turn-Off, and Conduction switching losses.

This command returns an immediate-measurement value that does not depend of the current oscilloscope menu.

**Group**

Power Measurement

**Syntax**

SWLoss:VALue:TOTAL?

**Returns**

<NR3>

**Examples**

SWLoss:VALue:TOTAL?

Might return

**SWLoss:VALue:TURNOFF? (Query Only)**  
**(TPS2000 Series with TPS2PWR1 Power Analysis Module Only)**

Returns the power loss of the device under test when the device is transitioning between its on and off state. You must enter the saturation voltage of the device under test using the SWLoss:VSAT command.

This command returns an immediate-measurement value that does not depend of the current oscilloscope menu.

**Group**

Power Measurement

**Syntax**

SWLoss:VALue:TURNOff?

**Returns**

&lt;NR3&gt;

**Examples**

SWLoss:VALue:TURNOff?

Might return

**SWLoss:VALue:TURNON?****(TPS2000 Series with TPS2PWR1 Power Analysis Module Only)**

Returns the power loss of the device under test when the device is transitioning between its off and on state. You must enter the saturation voltage of the device under test using the SWLoss:VSAT command.

This command returns an immediate-measurement value that does not depend of the current oscilloscope menu.

**Group**

Power Measurement

**Syntax**

SWLoss:VALue:TURNON?

**Returns**

&lt;NR3&gt;

**Examples**

SWLoss:VALue:TURNON?

Might return

## **SWLoss:VSAT**

### **(TPS2000 Series with TPS2PWR1 Power Analysis Module Only)**

Sets or queries the saturation voltage for the device under test.

#### **Group**

Power Measurement

#### **Syntax**

SWLoss:VSAT <NR3>

SWLoss:VSAT?

#### **Arguments**

<NR3> specifies the saturation voltage.

#### **Examples**

SWLoss:VSAT?

Might return 4.800000667572E0, indicating that the saturation voltage is set to 4.80 volts.

## **TIME**

### **(TDS2MEM, TDS1000B, TDS2000B, and TPS2000 Series Only)**

Sets or queries the oscilloscope time value. The oscilloscope uses the time and date values to time stamp files saved to the CompactFlash card (TDS2MEM and TPS2000 series only), or to the USB flash drive (TDS1000B and TDS2000B series only), as well as show the time and date on the oscilloscope display.

#### **Group**

Miscellaneous

#### **Syntax**

DATE <QString>

DATE?



**Arguments**

<QString> is a time in the form “hh:mm:ss”, based on a 24-hour clock (00:00:00 through 23:59:59).

**Examples**

```
TIME "14:45:00"
```

Sets the time to 2:45 pm.

**Related Commands**

DATE

**\*TRG (Set Only)**

(Trigger) Executes commands that are defined by \*DDT.

**Group**

Miscellaneous

**Syntax**

```
*TRG
```

**Examples**

```
*TRG
```

Immediately executes all commands defined by \*DDT.

**Related Commands**

\*DDT

**TRIGger**

Forces a trigger event to occur. When used as a query, TRIGger? returns the current trigger settings.

**Group**

Trigger

**Syntax**

TRIGger FORCe

TRIGger?

**Arguments**

FORCe creates a trigger event. If TRIGger:STATE is REAdy, the acquisition will complete; otherwise this command will be ignored. This is equivalent to selecting FORCE TRIG on the front panel.

**Examples**

TRIGger FORCe

Forces a trigger event to occur.

TRIGger?

Might return the following string:

```
:TRIGGER:MAIN:MODE AUTO;TYPE EDGE;LEVEL 0.0E0;HOLD-  
OFF:VALUE 5.0E-7;:TRIGGER:MAIN:EDGE:SOURCE CH1;COUPLING  
DC;SLOPE RISE;:TRIGGER:MAIN:VIDEO:SOURCE CH1;SYNC  
FIELD;POLARITY NORMAL
```

## TRIGger:MAIn

Sets the oscilloscope trigger level to 50% of the minimum and maximum values of the signal. Returns the current main trigger settings when used as a query.

**Group**

Trigger

**Syntax**

TRIGger:MAIn SETLevel

TRIGger:MAIn?

**Arguments**

SETLeve1 sets the main trigger level to half way between the MIN and MAX amplitudes of the trigger source input. This is equivalent to pressing the front-panel SET LEVEL TO 50% button.

If the oscilloscope acquisition state is STOP and you send TRIGger:MAIn SETLeve1, the oscilloscope ignores the command and generates event 221 (Settings conflict).

**Examples**

```
TRIGger:MAIn SETLeve1
```

Sets the main trigger level mid way between MAX and MIN.

**TRIGger:MAIn:EDGE? (Query Only)**

Returns the trigger coupling, source, and slope settings for the edge trigger.

**Group**

Trigger

**Syntax**

```
TRIGger:MAIn:EDGE?
```

**Returns**

Trigger coupling, source, and slope settings for the main edge trigger

**Examples**

```
TRIGger:MAIn:EDGE?
```

Might return SOURCE CH1;COUPLING DC;SLOPE RISE

**TRIGger:MAIn:EDGE:COUPling**

Sets or queries the type of coupling for the edge trigger. This is equivalent to setting the Coupling option in the Trigger menu.

**Group**

Trigger

**Syntax**

TRIGger:MAIn:EDGE:COUPling { AC | DC | HFRej | LFRej | NOISErej }

TRIGger:MAIn:EDGE:COUPling?

**Arguments**

AC selects AC trigger coupling.

DC selects DC coupling.

HFRej coupling removes the high-frequency components of the DC signal.

LFRej coupling removes the low-frequency components of the AC signal.

NOISErej selects DC low sensitivity. It requires added signal amplitude for more stable, less false triggering.

**Examples**

TRIGger:MAIn:EDGE:COUPling DC

Sets the main edge trigger coupling to DC.

## TRIGger:MAIn:EDGE:SLOpe

Selects a rising or falling slope for the edge trigger. This is equivalent to setting the Slope option in the Trigger menu.

**Group**

Trigger

**Syntax**

TRIGger:MAIn:EDGE:SLOpe { FALL | RISe }

TRIGger:MAIn:EDGE:SLOpe?

**Arguments**

FALL specifies to trigger on the falling or negative edge of a signal.

RISe specifies to trigger on the rising or positive edge of a signal.

**Examples**

```
TRIGger:MAIn:EDGE:SLOpe RISE
```

Sets the main edge trigger to occur on the rising slope.

## TRIGger:MAIn:EDGE:SOURce

Sets or queries the source for the edge trigger. This is equivalent to setting the Source option in the Trigger menu.

**Group**

Trigger

**Syntax**

```
TRIGger:MAIn:EDGE:SOURce { CH<x> | EXT | EXT5 | EXT10 |  
AC LINE }
```

```
TRIGger:MAIn:EDGE:SOURce?
```

**Arguments**

CH<x> specifies one of the allowable input channels. The value of <x> can vary from 1 through 4 for 4-channel instruments or 1 through 2 for 2-channel instruments.

EXT specifies the external input (not available with TDS224 oscilloscopes).

EXT5 specifies that the external input is attenuated by a factor of 5 (not available with TDS224 oscilloscopes).

EXT10 specifies that the external input is attenuated by a factor of 10 (TPS2000 series only).

AC LINE specifies the power line signal as a trigger source (not available with TPS2000 series oscilloscopes).

**Examples**

TRIGger:MAIn:EDGE:SOUrce CH1

Specifies channel 1 as the edge trigger source.

TRIGger:MAIn:EDGE:SOUrce?

Might return CH2 for the edge trigger source.

**TRIGger:MAIn:FREQuency? (Query Only)**  
**(TDS1000, TDS2000, TDS1000B, TDS2000B, and TPS2000 Series Only)**

Returns the edge or pulse width trigger frequency. This is the same as the readout in the lower right corner of the screen.

If the trigger frequency is less than 10 Hz, the query returns 9.9e37 and generates error 2207 (Measurement error, Measurement overflow).

If the trigger type is video, the query returns 9.9e37 and generates event 221 (Settings conflict).

**Group**

Trigger

**Syntax**

TRIGger:MAIn:FREQuency?

**Returns**

Edge or pulse width trigger frequency

**Examples**

TRIGger:MAIn:FREQuency?

Might return :TRIGGER:MAIN:FREQUENCY 1.0E3

**Related Commands**

MEASUrement:IMMed:VALue?

## **TRIGger:MAIn:HOLDOff? (Query Only)**

Returns the trigger holdoff value.

### **Group**

Trigger

### **Syntax**

TRIGger:MAIn:HOLDOff?

### **Returns**

Main trigger holdoff value

### **Examples**

TRIGger:MAIn:HOLDOff?

Might return :TRIGGER:MAIN:HOLDOFF:VALUE 5.0E-7

## **TRIGger:MAIn:HOLDOff:VALue**

Sets or queries the oscilloscope trigger holdoff value.

### **Group**

Trigger

### **Syntax**

TRIGger:MAIn:HOLDOff:VALue <NR3>

TRIGger:MAIn:HOLDOff:VALue?

### **Arguments**

<NR3> is the main trigger holdoff value. The range is 500 ns to 10 s.

### **Examples**

TRIGger:MAIn:HOLDOff:VALue 10

Sets the holdoff value to 10s.

## TRIGger:MAIn:LEVel

Sets the oscilloscope edge (all models) and pulse width (TDS1000, TDS2000, TDS1000B, TDS2000B, and TPS2000 series only) trigger level. This command is equivalent to adjusting the front-panel TRIGGER LEVEL knob.

---

**NOTE.** *When the edge trigger source is set to AC LINE, the oscilloscope ignores the set form of the command and generates event 221 (Settings conflict).*

*When the edge trigger source is set to AC LINE, the query form of the command returns zero.*

---

### Group

Trigger

### Syntax

TRIGger:MAIn:LEVel <NR3>

TRIGger:MAIn:LEVel?

### Arguments

<NR3> the main trigger level, in volts.

### Examples

TRIGger:MAIn:LEVel?

Might return 1.4, indicating that the main edge trigger is set to 1.4 V.

## TRIGger:MAIn:MODE

Sets or queries the trigger mode for the Edge (all models) and Pulse width (TDS1000, TDS2000, TDS1000B, TDS2000B, and TPS2000 series only) trigger types.



**Group**

Trigger

**Syntax**

TRIGger:MAIn:MODE { AUTO | NORMa1 }

TRIGger:MAIn:MODE?

**Arguments**

AUTO generates a trigger if a trigger is not detected within a specific time period. AUTO also enables scan mode for sweep speeds of 100 ms/div and slower.

NORMa1 waits for a valid trigger event.

**Examples**

TRIGger:MAIn:MODE AUTO

Specifies that a trigger event is automatically generated.

**Related Commands**

ACQuire:STOPAfter

**TRIGger:MAIn:PULse? (Query Only)  
(TDS1000, TDS2000, TDS1000B, TDS2000B, and TPS2000 Series Only)**

Returns the current Pulse Trigger settings.

**Group**

Trigger

**Syntax**

TRIGger:MAIn:PULse?

**Examples**

TRIGger:MAIn:PULse?

Might return the following string:

```
:TRIGGER:MAIN:PULSE:SOURCE CH1;WIDTH:POLARITY POS-  
ITIVE;WHEN EQUAL;WIDTH 1.0E-3
```

**TRIGger:MAIn:PULse:SOUrce  
(TDS1000, TDS2000, TDS1000B, TDS2000B, and TPS2000 Series  
Only)**

Sets or queries the source for the pulse trigger. This is equivalent to setting the Source option in the Trigger menu.

**Group**

Trigger

**Syntax**

```
TRIGger:MAIn:PULse:SOUrce  
{ CH<x> | EXT | EXT5 | EXT10 }
```

TRIGger:MAIn:PULse:SOUrce?

**Arguments**

CH<x> specifies one of the allowable input channels. The value of <x> can be 1 through 4 on four channel oscilloscopes, or 1 or 2 on two channel oscilloscopes.

EXT specifies the external input (not available with TDS224 oscilloscopes).

EXT5 specifies the external input attenuated by a factor of 5 (not available with TDS224 oscilloscopes).

EXT10 specifies the external input attenuated by a factor of 10 (TPS2000 series only).

## **TRIGger:MAIn:PULse:WIDth? (Query Only)** **(TDS1000, TDS2000, TDS1000B, TDS2000B, and TPS2000 Series Only)**

Returns the pulse trigger width settings.

### **Group**

Trigger

### **Syntax**

TRIGger:MAIn:PULse:WIDth?

### **Examples**

TRIGger:MAIn:PULse:WIDth?

Might return the following string:

```
:TRIGGER:MAIN:PULSE:WIDTH:POLARITY POSITIVE;WHEN  
EQUAL;WIDTH 1.0E-3
```

## **TRIGger:MAIn:PULse:WIDth:POLarity** **(TDS1000, TDS2000, TDS1000B, TDS2000B, and TPS2000 Series Only)**

Sets or queries the polarity for the pulse trigger. This is equivalent to setting the Polarity option in the Pulse Trigger menu.

### **Group**

Trigger

### **Syntax**

```
TRIGger:MAIn:PULse:WIDth:POLarity  
{ POSITIVE | NEGATIVE }
```

TRIGger:MAIn:PULse:WIDth:POLarity?

### Arguments

Positive polarity specifies pulses with a rising leading edge. Negative polarity specifies pulses with a falling leading edge.

## **TRIGger:MAIn:PULse:WIDth:WHEN (TDS1000, TDS2000, TDS1000B, TDS2000B, and TPS2000 Series Only)**

Sets or queries the trigger conditions for the pulse trigger. This is equivalent to setting the When option in the Pulse Trigger menu.

### Group

Trigger

### Syntax

```
TRIGger:MAIn:PULse:WIDth:WHEN  
{ EQual | NOTEqual | INside | OUTside }
```

```
TRIGger:MAIn:PULse:WIDth:WHEN?
```

### Arguments

EQual triggers on the trailing edge of pulses of the specified width.

NOTEQual triggers when a pulse's trailing edge occurs before the specified width, or a pulse continues longer than the specified width without a trailing edge.

INside (less than) triggers on the trailing edge of any pulses that are narrower than the specified width.

OUTside (greater than; also called time-out trigger) triggers when a pulse continues longer than the specified width.

## **TRIGger:MAIn:PULse:WIDth:WIDth** **(TDS1000, TDS2000, TDS1000B, TDS2000B, and TPS2000 Series Only)**

Sets or queries the width for the pulse trigger. This is equivalent to setting the Width option by using the Pulse Trigger menu and the TRIGGER knob.

### **Group**

Trigger

### **Syntax**

TRIGger:MAIn:PULse:WIDth:WIDth <NR3>

TRIGger:MAIn:PULse:WIDth:WIDth?

### **Arguments**

Time, in seconds. Range is 33 ns to 10 s. Resolution varies. Value is forced to nearest achievable value.

### **Examples**

TRIGger:MAIn:PULse:WIDth:WIDth .000000123  
followed by TRIGGER:MAIN:PULSE:WIDTH:WIDTH?

Might return 1.155E-7.

## **TRIGger:MAIn:TYPe**

Sets or queries the type of oscilloscope trigger. This is equivalent to setting the Type option in the Trigger menu.

### **Group**

Trigger

### **Syntax**

TRIGger:MAIn:TYPe { EDGE | VIDEo | PULse }

TRIGger:MAIn:TYPe?

### **Arguments**

EDGE is a normal trigger. A trigger event occurs when a signal passes through a specified voltage level in the specified direction and is controlled by the TRIGger:MAIn:EDGE commands.

VIDeo specifies that a trigger occurs when a specified signal is found and is controlled by the TRIGger:MAIn:VIDeo commands.

PULse specifies that a trigger occurs when the specified signal meets the pulse width criteria that is controlled by the TRIGger:MAIn:PULse commands (not available with TDS200 series oscilloscopes).

### **Examples**

TRIGger:MAIn:TYPe?

Might return VIDEO, indicating that the main trigger type is a video trigger.

## **TRIGger:MAIn:VIDeo? (Query Only)**

Returns the main video trigger settings.

### **Group**

Trigger

### **Syntax**

TRIGger:MAIn:VIDeo?

### **Examples**

TRIGger:MAIn:VIDeo?

Might return :TRIGGER:MAIN:VIDEO:SOURCE CH1;SYNC FIELD;POLarity NORMAL

## **TRIGger:MAIn:VIDeo:LINE** **(TDS1000, TDS2000, TDS1000B, TDS2000B, and TPS2000 Series Only)**

Sets or queries the line number for the video trigger when TRIGger:MAIn:VIDeo:SYNC is set to LINENUM. This is equivalent to selecting a line number in the Trigger/Video menu.

### **Group**

Trigger

### **Syntax**

TRIGger:MAIn:VIDeo:LINE <NR1>

TRIGger:MAIn:VIDeo:LINE?

### **Arguments**

<NR1> specifies the line number. The minimum is 1. The maximum is 525 for NTSC, 625 for PAL and SECAM.

### **Examples**

The following sequence sets the oscilloscope to trigger on video line 123:

```
TRIGger:MAIn:TYPe VIDeo
```

```
TRIGger:MAIn:VIDeo:SYNC LINENum
```

```
TRIGger:MAIn:VIDeo:LINE 123
```

## **TRIGger:MAIn:VIDeo:POLarity**

Sets or queries the video trigger polarity. This is equivalent to selecting the Polarity option in the Trigger/Video menu.

### **Group**

Trigger

**Syntax**

TDS210 and TDS220 models with firmware below V2.00 and a TDS2CMA communications module:

```
TRIGger:MAIn:VIDeo:POLarity { INVERTed | NORMAl }
```

All other oscilloscope, firmware version, and module combinations:

```
TRIGger:MAIn:VIDeo:POLarity { INVert | NORMAl }
```

```
TRIGger:MAIn:VIDeo:POLarity?
```

**Arguments**

INVERTed or INVert specifies a positive sync pulse.

NORMAl specifies a negative sync pulse.

**Examples**

```
TRIGger:MAIn:VIDeo:POLarity NORMAL
```

Selects negative synchronization polarity for the video trigger.

## TRIGger:MAIn:VIDeo:SOURce

Sets or queries the source for the video trigger. This is equivalent to selecting the Source option in the Video trigger menu.

**Group**

Trigger

**Syntax**

```
TRIGger:MAIn:VIDeo:SOURce { CH<x> | EXT | EXT5 | EXT10 }
```

```
TRIGger:MAIn:VIDeo:SOURce?
```

**Arguments**

CH<x> specifies one of the allowable input channels. The value of <x> can vary from 1 through 4 for 4-channel instruments or 1 through 2 for 2-channel instruments.

EXT specifies the external input (not available with TDS224 oscilloscopes).



EXT5 specifies the external input, attenuated by a factor of 5 (not available with TDS224 oscilloscopes).

EXT10 specifies the external input attenuated by a factor of 10 (TPS2000 series only).

**Examples**

```
TRIGger:MAIn:VIDeo:SOUrce CH1
```

Selects channel 1 as the source for the main video trigger.

## **TRIGger:MAIn:VIDeo:STANdard (TDS1000, TDS2000, TDS1000B, TDS2000B, and TPS2000 Series Only)**

Sets or queries the video trigger standard. This is equivalent to selecting the Standard option in the Trigger/Video menu.

**Group**

Trigger

**Syntax**

```
TRIGger:MAIn:VIDeo:STANdard { NTSc | PAL }
```

```
TRIGger:MAIn:VIDeo:STANdard?
```

**Arguments**

NTSC (default) specifies the NTSC video standard.

PAL specifies the PAL or SECAM video standard.

**Examples**

```
TRIGger:MAIn:VIDeo:STANdard NTSC
```

Selects the NTSC standard for the video trigger.

## TRIGger:MAIn:VIDeo:SYNC

Sets or queries the type for the video trigger sync. This is equivalent to selecting the Sync option in the Trigger/Video menu.

### Group

Trigger

### Syntax

TRIGger:MAIn:VIDeo:SYNC { FIELD | LINE | ODD | EVEN | LINENum }

TRIGger:MAIn:VIDeo:SYNC?

### Arguments

FIELD specifies that triggering occur on the vertical sync pulse.

LINE specifies that triggering occur on the horizontal sync pulse.

ODD (TDS1000, TDS2000, TDS1000B, TDS2000B, and TPS2000 series only) specifies triggering on odd fields.

EVEN (TDS1000, TDS2000, TDS1000B, TDS2000B, and TPS2000 series only) specifies triggering on even fields.

LINENum (TDS1000, TDS2000, TDS1000B, TDS2000B, and TPS2000 series only) sets the oscilloscope to trigger on a specific line number, which is specified through TRIGger:MAIn:VIDeo:LINE.

### Examples

TRIGger:MAIn:VIDeo:SYNC FIELD

Selects the vertical synchronization pulse for the video trigger sync.

## TRIGger:STATE? (Query Only)

Returns the current state of the triggering system.

---

**NOTE.** *Accurate real time reporting of the trigger state within any single waveform acquisition is limited by several factors, including horizontal sweep speed, and communications and task latencies. To check for the completion of a single sequence acquisition, use the \*OPC? query.*

---

### Group

Trigger

### Syntax

TRIGger:STATE?

### Returns

ARMED indicates that the oscilloscope is acquiring pretrigger information. All triggers are ignored when TRIGger:STATE is ARMED.

READY indicates that all pretrigger information has been acquired and the oscilloscope is ready to accept a trigger.

TRIGGER indicates that the oscilloscope has seen a trigger and is acquiring the posttrigger information.

AUTO indicates that the oscilloscope is in auto mode and acquires data even in the absence of a trigger.

SAVE indicates that acquisition is stopped or that all channels are off.

SCAN indicates that the oscilloscope is in scan mode.

### Examples

TRIGger:STATE?

Might return READY, indicating that pretrigger data has been acquired and the oscilloscope is waiting for a trigger.

**Related Commands**

\*OPC?

**\*TST? (Query Only)**

(Self-Test) Tests the GPIB interface and always returns a 0.

**Group**

Miscellaneous

**Syntax**

\*TST?

**Returns**

0

**UNLock (Set Only)**

Unlocks the front panel. This command is equivalent to LOCK NONE.

---

**NOTE.** *If the oscilloscope is in the Remote With Lockout State (RWLS), the UNLock command has no effect. For more information refer to ANSI-IEEE Std. 488.1–1987, Standard Digital Interface for Programmable Instrumentation, section 2.8.3, on RL State descriptions.*

---

**Group**

Miscellaneous

**Syntax**

UNLock ALL

**Arguments**

ALL specifies all front-panel buttons.

**Examples**

UNLock ALL

Unlocks all front-panel buttons and knobs so they can be used.

**Related Commands**

LOCK

## VERBoSe

Sets and queries the Verbose state that controls the length of keywords on query responses. Keywords can be both headers and arguments. This command does not affect IEEE Std 488.2–1987 Common Commands (those starting with an asterisk).

**Group**

Miscellaneous

**Syntax**

VERBoSe { OFF | ON | <NR1> }

VERBoSe?

**Arguments**

ON or <NR1> ≠ 0 sets the Verbose state true, which returns full-length keywords for applicable setting queries.

OFF or <NR1> = 0 sets the Verbose state false, which returns minimum-length keywords for applicable setting queries.

**Examples**

VERBoSe ON

Sets the Verbose state true.

VERBoSe?

Might return the value 1, showing that the Verbose state is true.

**Related Commands**

HEADer, \*LRN?, SET?

## **\*WAI (Set Only)**

\*WAI (wait) prevents the oscilloscope from executing further commands or queries until all pending operations finish. This command lets you synchronize the operation of the oscilloscope with your application program. Refer to *Synchronization Methods* on page 3-10 for more information.

Unlike \*OPC?, \*WAI returns no value when pending operations finish. Table 2-30 (\*OPC) on page 2-170 lists commands that generate an operation complete message.

### **Group**

Status and Error

### **Syntax**

\*WAI

### **Related Commands**

BUSY?, \*OPC

## **WAVEFORMANALYSIS:SOURce (TPS2000 Series with TPS2PWR1 Power Analysis Module Only)**

Sets or queries the Waveform Analysis source. This command is equivalent to setting the Sources option in the Waveform Analysis menu.

### **Group**

Waveform

### **Syntax**

WAVEFORMANALYSIS:SOURce { CH1 | CH2 | CH3 | CH4 | MATH }

WAVEFORMANALYSIS:SOURce?

**Arguments**

| CH1 | CH2 | CH3 | CH4 | specifies channel 1 through 4 as the waveform analysis source.

---

**NOTE.** The “CH3 and CH4” options are only valid for instruments with four channels.

---

MATH specifies the math waveform as the analysis source.

**Examples**

```
WAVEFORMANALYSIS:SOURce CH2
```

Specifies Channel 2 as the waveform analysis source.

## WAVFrm? (Query Only)

Returns WFMPre? and CURVe? data for the waveform specified by the DATA:SOURce command. This command is equivalent to sending WFMPre?; CURVe?. If the waveform specified by the DATA:SOURce command is not displayed, the oscilloscope returns only the waveform transmission parameters (BYT\_Nr, BIT\_Nr, ENCDg, BN\_Fmt, BYT\_Or).

**Group**

Waveform

**Syntax**

```
WAVFrm?
```

**Returns**

See WFMPre? and CURVe? commands.

**Related Commands**

CURVe?, DATA:SOURce, WFMPre?

## WFMPre? (Query Only)

Returns waveform transmission and formatting settings for the waveform specified by the DATA:SOURce command.

If the waveform specified by the DATA:SOURce command is not displayed, the oscilloscope returns only the waveform transmission parameters (BYT\_Nr, BIT\_Nr, ENCDg, BN\_Fmt, BYT\_Or).

### Group

Waveform

### Syntax

WFMPre?

### Returns

The format of the response when the DATA:SOURce waveform is activated is:

```
BYT_NR <NR1>;BIT_NR <NR1>;ENCDG { ASC | BIN };  
BN_FMT { RI | RP };BYT_OR { LSB | MSB };NR_PT <NR1>;  
WFID <QSTRING>;PT_FMT {ENV | Y};XINCR <NR3>;  
PT_OFF <NR1>;XZERO <NR3>;XUNIT<QSTRING>;YMULT <NR3>;  
YZERO <NR3>;YOFF <NR3>;YUNIT <QSTRING>
```

### Related Commands

WAVFrm?

## WFMPre:BIT\_Nr

Sets or queries the number of bits per waveform point for the waveform to be transferred. Changing the value of WFMPre:BIT\_Nr also changes the values of WFMPre:BYT\_Nr and DATA:WIDTH.

### Group

Waveform

### Syntax

WFMPre:BIT\_Nr <NR1>



WFMPre:BIT\_Nr?

**Arguments**

<NR1> is either 8 or 16, and is equivalent to WFMPre:BYT\_Nr \* 8 and DATA:WIDTH \* 8.

**Examples**

WFMPre:BIT\_Nr?

Might return 8, indicating that there are 8 bits per waveform point.

**Related Commands**

DATA:WIDTH

## WFMPre:BN\_Fmt

Sets or queries the format of binary data for the waveform to be transferred. Changing the value of WFMPre:BN\_Fmt also changes the value of DATA:ENCdg.

**Group**

Waveform

**Syntax**

WFMPre:BN\_Fmt { RI | RP }

WFMPre:BN\_Fmt?

**Arguments**

RI specifies signed integer data-point representation.

RP specifies positive integer data-point representation.

**Examples**

WFMPre:BN\_Fmt RP

Specifies that the binary waveform data are positive integer data-points.

WFMPre:BN\_Fmt?

Returns either RI or RP as the current waveform data format.

**Related Commands**

DATA:ENCdg

**WFMPre:BYT\_Nr**

Sets or queries the data width for the waveform to be transferred. This command is equivalent to DATA:WIDTH. Changing WFMPre:BYT\_Nr also changes WFMPre:BIT\_Nr and DATA:WIDTH.

**Group**

Waveform

**Syntax**

WFMPre:BYT\_Nr <NR1>

WFMPre:BYT\_Nr?

**Arguments**

<NR1> is an integer in the range of 1 to 2 that sets the number of bytes per point.

**Examples**

WFMPre:BYT\_Nr 2

Specifies that there are 2 bytes per waveform data point.

**Related Commands**

DATA:WIDTH

## WFMPre:BYT\_Or

Sets or queries which byte of binary waveform data is transmitted first during a waveform data transfer when DATA:WIDTH or WFMPre:BYT\_Nr is set to 2, or WFMPre:BIT\_Nr is set to 16. Changing WFMPre:BYT\_Or changes DATA:ENCdg.

### Group

Waveform

### Syntax

WFMPre:BYT\_Or { LSB | MSB }

WFMPre:BYT\_Or?

### Arguments

LSB selects the least significant byte to be transmitted first.

MSB selects the most significant byte to be transmitted first.

### Examples

WFMPre:BYT\_Or MSB

specifies that the most significant byte in the waveform data is transferred first.

WFMPre:BYT\_Or?

Returns either MSB or LSB depending on which data byte is transferred first.

### Related Commands

DATA:ENCdg

## WFMPre:ENCdg

Sets or queries the type of encoding for waveform data transferred with the CURVe command. Changing WFMPre:ENCdg also changes DATA:ENCdg.

**Group**

Waveform

**Syntax**

WFMPre:ENCdg { ASC | BIN }

WFMPre:ENCdg?

**Arguments**

ASC specifies ASCII curve data.

BIN specifies binary curve data.

**Examples**

WFMPre:ENCdg ASC

Specifies that the waveform data is in ASCII format.

WFMPre:ENCdg?

Might return BIN, indicating that the waveform data is in binary format.

**Related Commands**

DATA:ENCdg

**WFMPre:NR\_Pt? (Query Only)**

Returns the number of points that are in the transmitted waveform record, as specified by DATA:SOURce. The number of points depends on DATA:START, DATA:STOP, and whether DATA:SOURce is YT or FFT. NR\_Pt is at most 2500 for YT and 1024 for FFT. NR\_Pt is always at least one.

When the DATA:SOURce is not displayed, the TDS210 and TDS220 (firmware below V 2.00) with a TDS2CMA communications module will return a value. All other oscilloscope, firmware version, and module combinations will generate an error and will return event code 2244.

**Group**

Waveform

**Syntax**

WFMPre:NR\_Pt?

**Examples**

WFMPre:NR\_Pt?

Returns <NR1>, which is the number of data points. If DATA:WIDTH is 2, then there are <NR1>\*2 bytes in the curve.

**Related Commands**

DATA:ENCdg, DATA:SOURce, DATA:STARt, DATA:STOP

## WFMPre:PT\_Fmt

The set form of this command sets the format (Y or ENV) of the reference waveform specified by the DATA:DESTination command.

The query form returns the format of the waveform specified by the DATA:SOURce command, if that waveform is on or displayed. If the waveform is not displayed, the query form of this command generates an error and returns event code 2244.

**Group**

Waveform

**Syntax**

WFMPre:PT\_Fmt { ENV | Y }

WFMPre:PT\_Fmt?

**Arguments**

Y specifies a normal waveform where one ASCII or binary data point is transmitted for each point in the waveform record.

For Y format, the time (absolute coordinate) of a point, relative to the trigger, can be calculated using the following formula. N ranges from 0 to 2499.

$$X_n = XZErO + XINcr (n - PT\_OfF)$$

For Y format, the magnitude (usually voltage, relative to ground) (absolute coordinate) of a point can be calculated:

$$Y_n = YZErO + YMUIty (y_n - YOfF)$$

ENV specifies that the oscilloscope transmit the waveform as minimum and maximum point pairs. Peak detect waveforms use ENV format. Peak Detect mode specifies a maximum of 1250 (minimum, maximum) pairs, with the time between pairs being  $2 * XINcr$ .

The magnitudes and times of ENV format waveform points can be calculated using the same formulas used for Y format, as long as you recognize that the points consist of (minimum, maximum) pairs, where each pair was collected over a time period of  $2 * XINcr$ .

Thus, the samples for  $n=0$  (a minimum) and  $n=1$  (a maximum), the first (minimum, maximum) pair, were collected over a time interval of width  $2 * XINcr$ , that began at the time found by setting  $n$  to zero in the formula. The next pair were collected over the interval that began at the time found by setting  $n$  to 2 in the formula, and so on.

### Examples

```
WFMPre:PT_Fmt Y
```

Sets the waveform data point format to Y.

```
WFMPre:PT_Fmt?
```

Returns either Y or ENV

### Related Commands

```
CURVe, ACQuire:MODe
```

## WFMPre:PT\_Off

The set form this command is ignored.

The query form always returns a 0, unless the DATA:SOURce waveform is not displayed, in which case the query generates an error and returns event code 2244.

This command is included for compatibility with other Tektronix oscilloscopes.

---

**NOTE.** Use the *WFMPre:XINcr*, *WFMPre:XUNit*, and *WFMPre:XZEro* queries to determine the trigger position.

---

### Group

Waveform

### Syntax

WFMPre:PT\_Off?

### Arguments

Arguments are ignored.

## WFMPre:WFId? (Query Only)

Returns a descriptive string from the waveform specified in the DATA:SOURce command, if that waveform is active or displayed. If that waveform is not active or displayed, the query fails and the oscilloscope generates an execution error with event code 2244 (waveform requested is not active).

### Group

Waveform

### Syntax

WFMPre:WFId?

### Examples

WFMPre:WFID?

For a YT waveform, this might return:

```
:WFMPRE:WFID "Ch1, DC coupling, 1.0E0 V/div, 5.0E-4  
s/div, 2500 points, Sample mode"
```

For a Math waveform, this might return:

```
:WFMPRE:WFID "Math, DC coupling, 1.0E0 V/div, 5.0E-4  
s/div, 2500 points, Sample mode"
```

For an FFT spectrum (TDS200 series with a TDS2MM measurement module, TDS1000, TDS2000, TDS1000B, TDS2000B, and TDS2000 series only) this might return:

```
:WFMPRE:WFID "Math, DC coupling, 1.0E1 dB/div,  
2.52525253E4 Hz/div, 1024 points, Sample mode"
```

## WFMPre:XINcr

The set form of this command specifies the interval (seconds per point for non-FFT, Hertz per point for FFT) between samples of the reference waveform specified by the DATA:DESTINATION command. The oscilloscope uses this value to calculate the seconds/division or Hertz/division units shown in the status bar and cursor readouts when displaying a reference waveform.

The query form returns the interval between samples of the waveform specified by the DATA:SOURCE command, if that waveform is active or displayed. If that waveform is inactive or not displayed, the query fails and the oscilloscope generates an execution error with event code 2244 (waveform requested is not active).

---

**NOTE.** For waveform records acquired in Peak Detect mode, even though there is a pair of samples for each conceptual time period, the XINcr is such that  $(XINcr * recl) =$  the total time over which the data was collected.

---



**Group**

Waveform

**Syntax**

WFMPre:XINcr &lt;NR3&gt;

WFMPre:XINcr?

**Arguments**

<NR3> is the interval between points in the waveform record, in the units specified by WFMPre:XUNit. Note that at some fast sweeps, some points in the waveform record are produced by interpolation.

**Examples**

DATA:SOURce CH1 WFMPre:XINcr

Might return :WFMPRE:XINCR 2.0E-6

## WFMPre:XUNit

For all model and firmware combinations except the TDS200 series with a TDS2CMA communications module, the set form of this command specifies the horizontal units ("s" for seconds and "Hz" for Hertz) for the reference waveform specified by the DATA:DESTINATION command. Setting a reference waveform to Hz causes the oscilloscope to display the waveform as an FFT waveform.

---

**NOTE.** For TDS200 oscilloscopes used with a TDS2CMA communications module, the set form is ignored.

---

The query form returns the horizontal units for the waveform specified by DATA:SOURce. If the waveform specified by DATA:SOURce is not displayed, the query generates event message 2244.

**Group**

Waveform

**Syntax**

WFMPre:XUNit <qstring>

WFMPre:XUNit?

**Arguments**

<qstring> is "s" or "Hz"

## WFMPre:XZEro

The set form of this command specifies the position, in XUNits, of the first sample of the reference waveform specified by the DATA:DESTination command, relative to the trigger.

The query form returns the position of the first sample of the waveform specified by the DATA:SOURce command, if that waveform is active or displayed.

If that waveform is not active or displayed, the query fails and the oscilloscope generates an execution error with event code 2244 (waveform requested is not active).

The oscilloscope sets WFMPre:XZEro to zero when:

- The display mode is set to XY.
- The DATA:SOURce is set to MATH FFT when the waveform is acquired.

---

**NOTE.** The oscilloscope uses XZEro when calculating cursor readouts.

---

**Group**

Waveform

**Syntax**

WFMPre:XZEro <NR3>

WFMPre:XZEro?

**Arguments**

<NR3> is the position, in XUNits, of the first waveform sample.

**WFMPre:YMUlt**

YMUlt is a value, expressed in YUNits per digitizer level, used to convert waveform record values to YUNit values using the following formula (where dl is digitizer levels):

$$\text{value\_in\_YUNits} = ((\text{curve\_in\_dl} - \text{YOFF\_in\_dl}) * \text{YMUlt}) + \text{YZERO\_in\_YUNits}$$

The set form of this command sets the vertical scale factor of the reference waveform specified by the DATA:DESTination command, expressed in YUNits per digitizing level.

The query form returns a value for the waveform specified by the DATA:SOURce command, if that waveform is active or displayed. If that waveform is not active or displayed, the query fails and the oscilloscope generates an execution error with event code 2244 (waveform requested is not active).

**Group**

Waveform

**Syntax**

WFMPre:YMUlt <NR3>

WFMPre:YMUlt?

**Arguments**

<NR3> is the vertical scale factor, in YUNits (usually volts) per sample value.

**Returns**

A query result of zero has special meaning. A zero indicates the waveform has unknown vertical scaling. (TDS200, TDS1000, TDS2000, TDS1000B, or TDS2000B series; TPS2000 series will never return zero.)

An example of unknown vertical scaling is a math waveform of CH1+CH2 where CH1 vertical scaling is different from CH2 vertical scaling. In this case, WFMPre:YUNit? returns U. (Does not apply to the TPS2000 series.)

## WFMPre:YOFF

YOFF is a value, expressed in digitizer levels, used to convert waveform record values to YUNit values using the following formula (where dl is digitizer levels):

$$\text{value\_in\_YUNits} = ((\text{curve\_in\_dl} - \text{YOFF\_in\_dl}) * \text{YMULT}) + \text{YZERO\_in\_YUNits}$$

The set form of this command stores a value for the reference waveform specified by the DATA:DESTination command. This value does not affect how the oscilloscope displays the waveform, but does affect the cursor readouts.

The query form returns a value for the waveform specified by the DATA:SOURce command, in digitizer levels, if that waveform is active or displayed. If that waveform is not active or displayed, the query fails and the oscilloscope generates an execution error with event code 2244 (waveform requested is not active).

### Group

Waveform

### Syntax

WFMPre:YOFF <NR3>

WFMPre:YOFF?

### Arguments

<NR3> is a value expressed in digitizing levels.

## WFMPre:YUNit

For all model and firmware combinations except the TDS200 series with a TDS2CMA communications module or a TDS2MM measurement module, the set form of this command sets the vertical units for the reference waveform specified by DATA:DESTination.

---

**NOTE.** *It is possible to set a combination of WFMPre:XUNit and WFMPre:YUNit for a reference waveform that is inconsistent (for example, seconds with dB or Hertz with volts). The oscilloscope will not warn you of this condition. The oscilloscope uses WFMPre:XUNit to determine whether the waveform is a YT or an FFT.*

*For TDS200 oscilloscopes used with a TDS2CMA communications or a TDS2MM measurement module, the set form is ignored. Refer to the WFMPre:YMult command for equivalent functionality.*

---

The query form returns the vertical units of the waveform specified by the DATA:SOURce command, if that waveform is active or displayed. If that waveform is not active or displayed, the query fails and the oscilloscope generates an execution error with event code 2244 (waveform requested is not active).

### Group

Waveform

### Syntax

WFMPre:YUNit <qstring>

WFMPre:YUNit?

### Arguments

<qstring> is "Volts", "U", or "dB".

The TDS1000B, TDS2000B, and TPS2000 series have the following additional arguments:

A for amps

VA for volt-amps

AA for amps\*amps

VV for volts\*volts

### Returns

<QString> returns the following:

Volts for volts

U for unknown units (divisions)

dB for decibels

? for unknown mask waveforms units

For the TDS1000B, TDS2000B, and TPS2000 series, <QString> can return the following:

A for amps

VA for volts\*amps

AA for amps\*amps

VV for volts\*volts

## WFMPre:YZero

For all model and firmware combinations except the TDS210 or TDS220 oscilloscope (firmware below V 2.00) with a TDS2CMA communications module, YZero is a value, expressed in YUNits, used to convert waveform record values to YUNit values using the following formula (where dl is digitizer levels):

$$\text{value\_in\_YUNits} = ((\text{curve\_in\_dl} - \text{YOFF\_in\_dl}) * \text{YMult}) + \text{YZERO\_in\_YUNits}$$

YZero is used when calculating cursor readouts.

The set form of this command affects the reference waveform specified by DATA:DESTination.

The query form of this command returns a value for the waveform specified by DATA:SOUrce. If that waveform is not active or displayed, the query fails and the oscilloscope generates an

execution error with event code 2244 (waveform requested is not active).

---

**NOTE.** For the TDS210 or TDS220 oscilloscope (firmware below V 2.00) with a TDS2CMA communications module, the set form is ignored. The query always returns zero.

---

### Group

Waveform

### Syntax

WFMPre:YZEro <NR3>

WFMPre:YZEro?

### Arguments

<NR3> is a value, expressed in YUNits.

## WFMPre, Additional Commands for Compatibility

The set form of these additional commands is ignored. The query form generates event messages 100 (Command Error) and 420 (Query Unterminated). These commands are included for compatibility purposes only.

Table 2-31 lists additional WFMPre commands.

**Table 2-31: Additional WFMPre commands**

Command	Argument	Description
WFMPre:XMUIt	<NR3>	Horizontal (X-axis) scale factor
WFMPre:XOFf	<NR3>	Horizontal (X-axis) offset
WFMPre:ZMUIt	<NR3>	Z-axis scale factor
WFMPre:ZOFf	<NR3>	Z-axis offset

**Table 2-31: Additional WFMPre commands (Cont.)**

Command	Argument	Description
WFMPre:ZUNit	<QString>	Z-axis units
WFMPre:ZZEro	<NR3>	Z-axis origin offset

## WFMPre:<wfm>? (Query Only)

Returns the waveform formatting data for the waveform specified by <wfm>, if that waveform is active or displayed. If that waveform is not active or displayed, the query fails and the oscilloscope generates event message 420 (Query unterminated) and 2244 (waveform requested is not active).

### Group

Waveform

### Syntax

WFMPre:<wfm>? (Refer to *Waveform Mnemonics* on page 2-10 for more information.)

### Returns

Returns the response in the following format:

```
:WFMPre:<wfm>:WFID <Qstring>;PT_FMT { ENV | Y };
XINcr <NR3>;PT_Off <NR1>;XZEro <NR3>;XUNit <QString>;
YMU1t <NR3>;YZEro <NR3>;YOFF <NR3>;YUNit <QString>;
NR_Pt <NR1>
```

## WFMPre:<wfm>:NR\_Pt? (Query Only)

---

**NOTE.** This query is not available when using a TDS210 or TDS220 oscilloscope (firmware below V 2.00) with a TDS2CMA communications module.

---



Returns the number of points that are in the transmitted waveform record. The number of points depends on DATA:START, DATA:STOP, and whether DATA:SOURce is YT or FFT. NR\_Pt is at most 2500 for YT and 1024 for FFT. NR\_Pt is always at least one.

When the DATA:SOURce is not displayed, the oscilloscope will generate an error and return event code 2244.

**Group**

Waveform

**Syntax**

WFMPre:<wfm>:NR\_Pt?

**Examples**

WFMPre:CH1:NR\_Pt?

Returns <NR1>, which is the number of data points. If DATA:WIDTH is 2, then there are <NR1>\*2 bytes in the curve.

**Related Commands**

DATA:SOURce, DATA:START, DATA:STOP

**WFMPre:<wfm>:PT\_Fmt**

Same as WFMPre:PT\_Fmt, except that <wfm> specifies the source/destination waveform instead of DATA:SOURce and DATA:DESTINATION. For set commands, if <wfm> is not a reference waveform, the oscilloscope generates error 2241.

**WFMPre:<wfm>:PT\_Off**

Same as WFMPre:PT\_Off, except that <wfm> specifies the source/destination waveform instead of DATA:SOURce and DATA:DESTINATION.

For set commands, if <wfm> is not a reference waveform, the oscilloscope generates error 2241.

Otherwise, the set form of this command is ignored.

### **WFMPre:<wfm>:WFId? (Query Only)**

Same as WFMPre:WFId?, except that <wfm> specifies the source waveform instead of DATA:SOURce.

### **WFMPre:<wfm>:XINcr**

Same as WFMPre:XINcr, except that <wfm> specifies the source/destination waveform instead of DATA:SOURce and DATA:DESTINATION.

For set commands, if <wfm> is not a reference waveform, the oscilloscope generates error 2241.

### **WFMPre:<wfm>:XUNit**

Same as WFMPre:XUNit, except that <wfm> specifies the source/destination waveform instead of DATA:SOURce and DATA:DESTINATION.

### **WFMPre:<wfm>:XZEro**

Same as WFMPre:XZEro, except that <wfm> specifies the source/destination waveform instead of DATA:SOURce and DATA:DESTINATION.

For set commands, if <wfm> is not a reference waveform, the oscilloscope generates error 2241.

### **WFMPre:<wfm>:YMUit**

Same as WFMPre:YMUit, except that <wfm> specifies the source/destination waveform instead of DATA:SOURce and DATA:DESTINATION.

For set commands, if <wfm> is not a reference waveform, the oscilloscope generates error 2241.

### **WFMPre:<wfm>:YOFf**

Same as WFMPre:YOFf, except that <wfm> specifies the source/destination waveform instead of DATA:SOURce and DATA:DESTINATION.

For set commands, if <wfm> is not a reference waveform, the oscilloscope generates error 2241.

### **WFMPre:<wfm>:YUNit**

Same as WFMPre:YUNit, except that <wfm> specifies the source/destination waveform instead of DATA:SOURce and DATA:DESTINATION.

For set commands, if <wfm> is not a reference waveform, the oscilloscope generates error 2241.

### **WFMPre:<wfm>:YZEro**

Same as WFMPre:YZEro, except that <wfm> specifies the source/destination waveform instead of DATA:SOURce and DATA:DESTINATION.

For set commands, if <wfm> is not a reference waveform, the oscilloscope generates error 2241.





# **Status and Events**



# Status and Events

The oscilloscope provides a status and event reporting system for the GPIB, RS-232, and USB interfaces. This system informs you of certain significant events that occur within the oscilloscope.

The oscilloscope status reporting system consists of five 8-bit registers and two queues. This section describes these registers and components, and explains how the event handling system operates.

## Registers

The registers in the event reporting system fall into two functional groups:

- The Standard Event Status Register (SESR) and the Status Byte Register (SBR) contain information about the status of the oscilloscope. These registers are the Status Registers.
- The Device Event Status Enable Register (DESER), the Event Status Enable Register (ESER), and the Service Request Enable Register (SRER) determine whether selected types of events are reported to the Status Registers and the Event Queue. These three registers are the Enable Registers.

### Status Registers

The Standard Event Status Register (SESR) and the Status Byte Register (SBR) record certain types of events that may occur while the oscilloscope is in use. IEEE Std 488.2–1987 defines these registers.

Each bit in a Status Register records a particular type of event, such as an execution error or service request. When an event of a given type occurs, the oscilloscope sets the bit that represents that type of event to a value of one. (You can disable bits so that they ignore events and remain at zero. For more information, refer to the *Enable Registers* section on page 3–4.) Reading the status registers tells you what types of events have occurred.

**The Standard Event Status Register (SESR).** The SESR, shown in Figure 3-1, records eight types of events that can occur within the oscilloscope. Use \*ESR? to read the SESR register. Reading the register clears the bits of the register so that the register can accumulate information about new events. Figure 3-1 shows SESR bit functions.

7	6	5	4	3	2	1	0
PON	URQ	CME	EXE	DDE	QYE	RQC	OPC

**Figure 3-1: The Standard Event Status Register (SESR)**

Table 3-1 lists and describes SESR bit functions.

**Table 3-1: SESR bit functions**

Bit	Function
7 (MSB)	<b>PON</b> (Power On). Shows that the oscilloscope was powered on.
6	<b>URQ</b> (User Request). Not used.
5	<b>CME</b> (Command Error). Shows that an error occurred while the oscilloscope was parsing a command or query. Command error messages are listed in Table 3-4 on page 3-18.
4	<b>EXE</b> (Execution Error). Shows that an error occurred while the oscilloscope was executing a command or query. Execution error messages are listed in Table 3-5 on page 3-18.
3	<b>DDE</b> (Device Error). Shows that a device error occurred. Device error messages are listed in Table 3-6 on page 3-22.
2	<b>QYE</b> (Query Error). Shows that either an attempt was made to read the Output Queue when no data was present or pending, or that data in the Output Queue was lost.



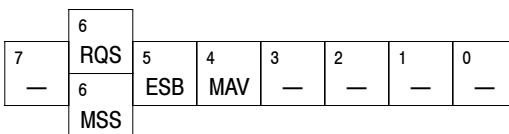
**Table 3-1: SESR bit functions (Cont.)**

Bit	Function
1	<b>RQC</b> (Request Control). Not used.
0 (LSB)	<b>OPC</b> (Operation Complete). Shows that the operation is complete. This bit is set when all pending operations complete following a *OPC command. See Table 2-30 on page 2-170 for a list of commands that generate an Operation Complete message.

**The Status Byte Register (SBR).** The SBR, shown in Figure 3-2, records whether output is available in the Output Queue, whether the oscilloscope requests service, and whether the SESR has recorded any events.

Use a Serial Poll (GPIB and USB only) or \*STB? to read the contents of the SBR. The bits in the SBR are set and cleared depending on the contents of the SESR, the Event Status Enable Register (ESER), and the Output Queue. When you use a Serial Poll to obtain the SBR, bit 6 is the RQS bit. When you use the \*STB? query to obtain the SBR, bit 6 is the MSS bit. Reading the SBR does not clear the bits.

Figure 3-2 shows the SBR bit functions.



**Figure 3-2: The Status Byte Register (SBR)**

Table 3-2 lists and describes SBR bit functions.

**Table 3-2: SBR bit functions**

Bit	Function
7 (MSB)	Not used.
6	<b>RQS</b> (Request Service), obtained from a serial poll. Shows that the oscilloscope requests service from the GPIB controller or USB host.
6	<b>MSS</b> (Master Status Summary), obtained from *STB?. Summarizes the ESB and MAV bits in the SBR.
5	<b>ESB</b> (Event Status Bit). Shows that status is enabled and present in the SESR.
4	<b>MAV</b> (Message Available). Shows that output is available in the Output Queue.
3 - 0	Not used.

**Enable Registers**

The DESER, ESER, and SRER allow you to select which events are reported to the Status Registers and the Event Queue. Each Enable Register acts as a filter to a Status Register (the DESER also acts as a filter to the Event Queue) and can prevent information from being recorded in the register or queue.

Each bit in an Enable Register corresponds to a bit in the Status Register it controls. In order for an event to be reported to its bit in the Status Register, the corresponding bit in the Enable Register must be set to one. If the bit in the Enable Register is set to zero, the event is not recorded.

The bits in the Enable Registers are set using various commands. The Enable Registers and the commands used to set them are described below.

**The Device Event Status Enable Register (DESER).** The DESER, shown in Figure 3-3, controls which types of events are reported to the SESR and the Event Queue. The bits in the DESER correspond to those in the SESR, as described earlier.

Use the DESE command to enable and disable the bits in the DESER. Use the DESE? query to read the DESER. Figure 3-3 shows the DESER bit functions.

7	6	5	4	3	2	1	0
PON	URQ	CME	EXE	DDE	QYE	RQC	OPC

**Figure 3-3: The Device Event Status Enable Register (DESER)**

**The Event Status Enable Register (ESER).** The ESER controls which type of events are summarized by the Event Status Bit (ESB) in the SBR.

Use the \*ESE command to set the bits in the ESER, and use the \*ESE? query to read it. Figure 3-4 shows the ESER bit functions.

7	6	5	4	3	2	1	0
PON	URQ	CME	EXE	DDE	QYE	RQC	OPC

**Figure 3-4: The Event Status Enable Register (ESER)**

**The Service Request Enable Register (SRER).** The SRER controls which bits in the SBR generate a Service Request (GPIB and USB only) and are summarized by the Master Status Summary (MSS) bit.

Use the \*SRE command to set the SRER. Use the \*SRE? query to read it. The RQS bit remains set to one until either the Status Byte Register is read by a Serial Poll (GPIB and USB only) or the MSS bit changes back to a zero. Figure 3-5 shows the SRER bit functions.

7	6	5	4	3	2	1	0
—	—	ESB	MAV	—	—	—	—

**Figure 3-5: The Service Request Enable Register (SRER)**

### **The Enable Registers and the \*PSC Command**

The \*PSC command controls the contents of the Enable Registers at power on. Sending \*PSC 1 sets the Enable Registers at power on as follows:

- DESER 255 (equivalent to a DESe 255 command)
- ESER 0 (equivalent to an \*ESE 0 command)
- SRER 0 (equivalent to an \*SRE 0 command)

Sending \*PSC 0 lets the Enable Registers maintain their values in nonvolatile memory through a power cycle.

---

**NOTE.** *To enable the PON (Power On) event to generate a Service Request (GPIB and USB only), send \*PSC 0, use the DESe and \*ESE commands to enable PON in the DESER and ESER, and use the \*SRE command to enable bit 5 in the SRER. Subsequent power-on cycles will generate a Service Request (GPIB and USB only).*

---

## **Queues**

The oscilloscope status and event reporting system contains two queues: the Output Queue and the Event Queue.

### **The Output Queue**

The Output Queue stores query responses waiting to be output. The oscilloscope empties the Output Queue each time it receives a new command or query message. This means you must read any query response before you send the next command or query, or you will lose responses to earlier queries. Also, an error may result.

---

**NOTE.** *When a controller sends a query, an <EOM>, and a second query, the digitizing oscilloscope normally clears the first response and outputs the second while reporting a Query Error (QYE bit in the ESER) to indicate the lost response. A fast controller, however, may receive a part or all of the first response as well. To avoid this situation, the controller should always read the response immediately after sending any terminated query message or send a DCL (Device Clear) before sending the second query.*

---

### **The Event Queue**

The Event Queue stores detailed information on up to 20 events. If more than 20 events stack up in the Event Queue, the 20th event is replaced by event code 350, “Too many events.”

Read the Event Queue with EVENT? (which returns only the event number), with EVMsg? (which returns the event number and a text description of the event), or with ALLEV? (which returns all the event numbers along with a description of the event). Reading an event removes it from the queue.

Before reading an event from the Event Queue, you must use \*ESR? to read the summary of the event from the SESR. This makes the events summarized by \*ESR? available to EVENT? and EVMSG?, and empties the SESR.

Reading the SESR erases any events that were summarized by previous \*ESR? reads but not read from the Event Queue. Events that follow an \*ESR? read are put in the Event Queue, but are not available until \*ESR? is used again.

## Event Handling Sequence

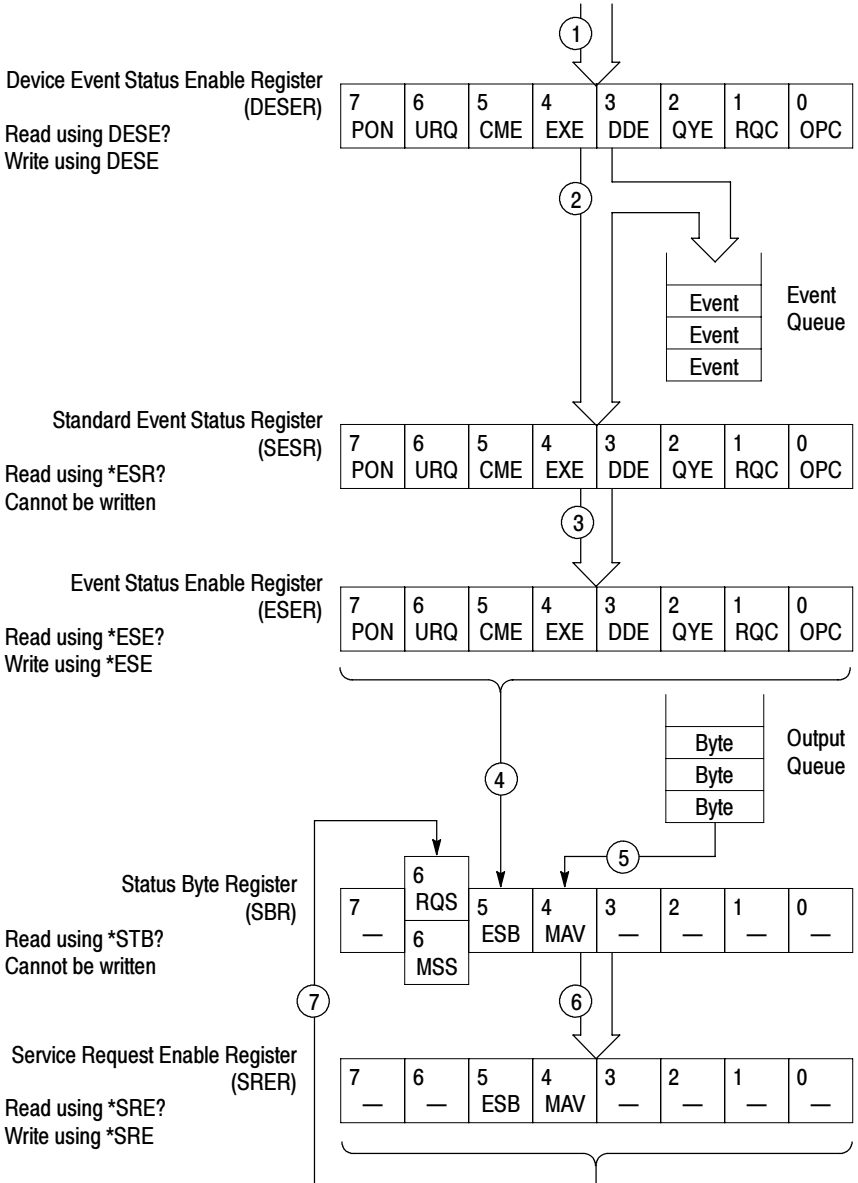
In this description, the numbers in parentheses map to the corresponding numbers in Figure 3-6.

When an event occurs, a signal is sent to the DESER (1). If that type of event is enabled in the DESER (that is, if the bit for that event type is set to 1), the appropriate bit in the SESR is set to one and the event is recorded in the Event Queue (2). If the corresponding bit in the ESER is also enabled (3), then the ESB bit in the SBR is set to one (4).

When output is sent to the Output Queue, the MAV bit in the SBR is set to one (5).

When a bit in the SBR is set to one and the corresponding bit in the SRER is enabled (6), the MSS bit in the SBR is set to one and a service request (GPIB and USB only) is generated (7).

Figure 3-6 shows how to use the status and event handling system.



**Figure 3-6: Status and event handling process**

## Synchronization Methods

Although most commands are completed almost immediately after being received by the oscilloscope, some commands start a process that requires more time. For example, once a **HARDCOPY START** command is executed, it may be a few seconds before the hardcopy operation is complete. Rather than remain idle while the operation is in process, the oscilloscope continues processing other commands. This means that some operations are not completed in the order that they were sent.

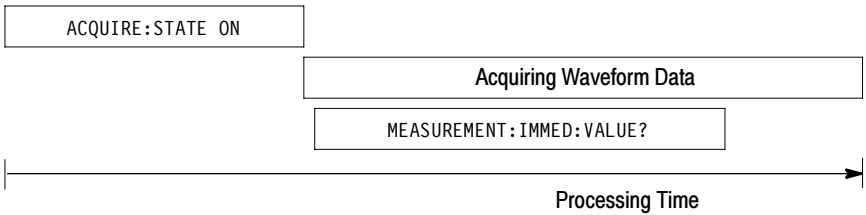
There may be times when the result of an operation is dependent on the result of an earlier one, and you must be assured that the first operation has completed before processing the next one. The status and event reporting system provides ways to do this.

For example, a typical application would be to acquire a single-sequence waveform, and then take a measurement on the acquired waveform. You could use the following command sequence:

```
/** Set up single-sequence acquisition **/  
SELECT:CH1 ON  
ACQUIRE:MODE SAMPLE  
ACQUIRE:STOPAFTER SEQUENCE  
/** Acquire waveform data **/  
ACQUIRE:STATE ON  
/** Set up the measurement 2  
MEASUREMENT:IMMED:TYPE PK2PK  
MEASUREMENT:IMMED:SOURCE CH1  
/** Take peak-to-peak measurement on acquired data **/  
MEASUREMENT:IMMED:VALUE?
```

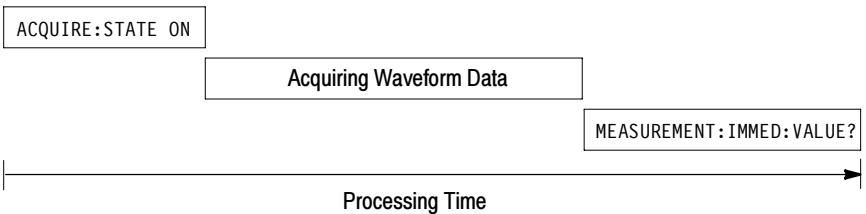
The acquisition of the waveform requires extended processing time and may not complete before the amplitude measurement is taken. (See Figure 3-7.) This will result in an incorrect peak-to-peak value.





**Figure 3-7: Command processing without using synchronization**

The acquisition of the waveform must be completed before the measurement can be taken on the acquired data. This is achieved by synchronizing the program so that the measurement command is not processed by the oscilloscope until the acquisition is complete. Figure 3-8 shows the desired processing sequence.



**Figure 3-8: Processing sequence with synchronization**

Four commands can be used to synchronize the operation of the oscilloscope with your application program: `*WAI`, `BUSY?`, `*OPC`, and `*OPC?`. The `*OPC?` query is the most simple.

#### Using the `*WAI` Command

You can force commands to execute sequentially by using the `*WAI` command. This command forces completion of the previous commands before processing new ones.

The same command sequence using the \*WAI command for synchronization follows:

```
/* Set up single-sequence acquisition */
SELECT:CH1 ON
ACQUIRE:MODE SAMPLE
ACQUIRE:STOPAFTER SEQUENCE
/* Acquire waveform data */
ACQUIRE:STATE ON
/* Set up the measurement parameters */
MEASUREMENT:IMMED:TYPE PK2PK
MEASUREMENT:IMMED:SOURCE CH1
/* Wait until the acquisition is complete before taking the
measurement */
*WAI
/* Take peak-to-peak measurement on acquired data */
MEASUREMENT:IMMED:VALUE?
```

Though \*WAI is one of the easiest ways to achieve synchronization, it is also the most costly. The processing time of the oscilloscope is slowed, since it is processing a single command at a time. This time could be spent doing other tasks.

The controller can continue to write commands to the input buffer, but the commands are not processed by the oscilloscope until all operations in process are complete. If the input buffer becomes full, the controller will be unable to write any more commands to the buffer and will result in a time out.

### Using the BUSY Query

BUSY? allows you to find out whether the oscilloscope is busy processing a command that has an extended processing time, such as single-sequence acquisition.

The same command sequence using BUSY? for synchronization follows:

```
/* Set up single-sequence acquisition */
SELECT:CH1 ON
ACQUIRE:MODE SAMPLE
ACQUIRE:STOPAFTER SEQUENCE
/* Acquire waveform data */
ACQUIRE:STATE ON
/* Set up the measurement parameters */
MEASUREMENT:IMMED:TYPE PK2PK
MEASUREMENT:IMMED:SOURCE CH1
/* Wait until the acquisition is complete before taking the
measurement */
While BUSY? keep looping
/* Take peak-to-peak measurement on acquired data */
MEASUREMENT:IMMED:VALUE?
```

This sequence lets you create your own wait loop rather than using the \*WAI command. An advantage to using BUSY? is that you eliminate the possibility of a time out caused by writing too many commands to the input buffer. The controller is still tied up, though, and the repeated BUSY? results in more bus traffic.

### Using the \*OPC Set Command

If the corresponding status registers are enabled, the \*OPC command sets the OPC bit in the Standard Event Status Register (SESR) when an operation is complete. You can use this command in conjunction with either a serial poll or service request handler to achieve synchronization.

**Serial Poll Method (GPIB and USB Only).** Enable the OPC bit in the Device Event Status Enable Register (DESER) and the Event Status Enable Register (ESER) using the DESE and \*ESE commands. When the operation is complete, the OPC bit in the Standard Event Status Register (SESR) is enabled, and the Event Status Bit (ESB) in the Status Byte Register is enabled.

The same command sequence using the \*OPC command for synchronization with serial polling looks like this:

```
/* Set up single-sequence acquisition */
SELECT:CH1 ON
ACQUIRE:MODE SAMPLE
ACQUIRE:STOPAFTER SEQUENCE

/* Enable the status registers */
DESE 1
*ESE 1
*SRE 0

/* Acquire waveform data */
ACQUIRE:STATE ON

/* Set up the measurement parameters */
MEASUREMENT:IMMED:TYPE PK2PK
MEASUREMENT:IMMED:SOURCE CH1

/* Wait until the acquisition is complete before
taking the measurement */
*OPC
While serial poll = 0, keep looping

/* Take peak-to-peak measurement on acquired data */
```

```
MEASUREMENT:IMMED:VALUE?
```

This technique requires less bus traffic than did looping on BUSY?.

**Service Request Method (GPIB and USB Only).** Enable the OPC bit in the Device Event Status Enable Register (DESER) and the Event Status Enable Register (ESER) using the DESE and \*ESE commands. Also, enable service requests by setting the ESB bit in the Service Request Enable Register (SRER) using the \*SRE command. When the operation is complete, a Service Request is generated.

The same command sequence using the \*OPC command for synchronization looks like this:

```
/* Set up single-sequence acquisition */
```

```
SELECT:CH1 ON
ACQUIRE:MODE SAMPLE
ACQUIRE:STOPAFTER SEQUENCE
```

```
/* Enable the status registers */
```

```
DESE 1
*ESE 1
*SRE 32
```

```
/* Acquire waveform data */
```

```
ACQUIRE:STATE ON
```

```
/* Set up the measurement parameters */
```

```
MEASUREMENT:IMMED:TYPE PK2PK
MEASUREMENT:IMMED:SOURCE CH1
```

```
/* Wait until the acquisition is complete before taking the
measurement */
```

```
*OPC
```

The program can now do different tasks such as talk to other devices. The SRQ, when it comes, interrupts those tasks and returns control to this task

```
/* Take peak-to-peak measurement on acquired data */
```

```
MEASUREMENT:IMMED:VALUE?
```

This technique requires less bus traffic than did looping on BUSY?.

The program can now do different tasks such as talk to other devices. The SRQ, when it comes, interrupts those tasks and returns control to this task.

```
/* Take peak-to-peak measurement on acquired data */  
MEASUREMENT:IMMED:VALUE?
```

This technique is more efficient but requires more sophisticated programming.

### Using the \*OPC? Query (the Most Simple Approach)

\*OPC? places a 1 in the Output Queue once an operation is complete. A timeout could occur if you try to read the output queue before there is any data in it.

The same command sequence using \*OPC? for synchronization follows:

```
/* Set up single-sequence acquisition */  
SELECT:CH1 ON  
ACQUIRE:MODE SAMPLE  
ACQUIRE:STOPAFTER SEQUENCE  
/* Acquire waveform data */  
ACQUIRE:STATE ON  
/* Set up the measurement parameters */  
MEASUREMENT:IMMED:TYPE PK2PK  
MEASUREMENT:IMMED:SOURCE CH1  
/* Wait until the acquisition is complete before  
taking the measurement */  
*OPC?
```

Wait for read from Output Queue.

```
/* Take peak-to-peak measurement on acquired data */
MEASUREMENT:IMMED:VALUE?
```

Using \*OPC? synchronization is the simplest approach. It requires no status handling or loops. However, you must set the controller time out for longer than the acquisition operation.

## Messages

Tables 3-3 through 3-9 list all the programming interface messages the oscilloscope generates in response to commands and queries.

Each message is the result of an event. Each type of event sets a specific bit in the SESR and is controlled by the equivalent bit in the DESER. Thus, each message is associated with a specific SESR bit. In the message tables that follow, the associated SESR bit is specified in the table title, with exceptions noted with the error message text.

Table 3-3 shows the messages when the system has no events or status to report. These have no associated SESR bit.

**Table 3-3: No event messages**

Code	Message
0	No events to report : queue empty
1	No events to report : new events pending *ESR?

Table 3-4 shows the error messages generated by improper command syntax. Check that the command is properly formed and that it follows the rules in the *Command Syntax* section starting on page 2-1.

**Table 3-4: Command error messages – CME bit 5**

<b>Code</b>	<b>Message</b>
100	Command error
102	Syntax error
103	Invalid separator
104	Data type error
105	GET not allowed
108	Parameter not allowed
110	Command header error
111	Header separator error
112	Program mnemonic too long
113	Undefined header
161	Invalid block data (indefinite length blocks are not allowed over the RS-232)

Table 3-5 lists the errors that are detected during execution of a command. In these error messages, you should read “macro” as “alias.”

**Table 3-5: Execution error messages – EXE bit 4**

<b>Code</b>	<b>Message</b>
200	Execution error
201	Invalid while in local
210	Trigger error



**Table 3-5: Execution error messages – EXE bit 4 (Cont.)**

<b>Code</b>	<b>Message</b>
211	Trigger ignored
212	Arm ignored
220	Parameter error
221	Settings conflict
222	Data out of range
223	Too much data
224	Illegal parameter value
230	Data corrupt or stale
240	Hardware error
241	Hardware missing
242	Hardware configuration error
243	Hardware I/O device error
250	Mass storage error
251	Missing mass storage
252	Missing media
253	Corrupt media
254	Media full
255	Directory full
256	File name not found
257	File name error
258	Media protected
260	Expression error
261	Math error in expression
2200	Measurement error, Measurement system error

**Table 3-5: Execution error messages – EXE bit 4 (Cont.)**

<b>Code</b>	<b>Message</b>
2201	Measurement error, Zero period
2202	Measurement error, No period found
2203	Measurement error, No period, second waveform
2204	Measurement error, Low signal amplitude
2205	Measurement error, Low amplitude, second waveform
2206	Measurement error, Invalid gate
2207	Measurement error, Measurement overflow
2208	Measurement error, Waveform does not cross Mid Ref
2209	Measurement error, No second Mid Ref crossing
2210	Measurement error, No Mid Ref crossing, second waveform
2211	Measurement error, No backwards Mid Ref crossing
2212	Measurement error, No negative crossing
2213	Measurement error, No positive crossing
2214	Measurement error, No crossing
2215	Measurement error, No crossing, second waveform
2216	Measurement error, No crossing, target waveform
2217	Measurement error, Constant waveform
2218	Measurement error, Unused
2219	Measurement error, No valid edge: No arm sample
2220	Measurement error, No valid edge: No arm cross
2221	Measurement error, No valid edge: No trigger cross
2222	Measurement error, No valid edge: No second cross
2223	Measurement error, waveform mismatch
2224	Measurement error, WAIT calculating

**Table 3-5: Execution error messages – EXE bit 4 (Cont.)**

<b>Code</b>	<b>Message</b>
2225	Measurement error, No waveform to measure
2226	Null Waveform
2227	Positive and Negative Clipping
2228	Measurement error, Positive Clipping
2229	Measurement error, Negative Clipping
2230	Measurement error, High Ref < Low Ref
2235	Math error, Invalid math description
2241	Waveform request is invalid
2242	Data start > record length
2243	Waveform requested is not a data source
2244	Waveform requested is not turned on
2245	Saveref error, Selected channel is turned off
2246	Saveref error, Selected channel data invalid
2248	Saveref error, Source reference data invalid
2260	Calibration error
2301	Cursor error, Off screen
2302	Cursor error, Cursors are off
2303	Cursor error, Cursor source waveform is off

Table 3-6 lists the device errors that can occur during oscilloscope operation. These errors may indicate that the oscilloscope needs repair.

**Table 3-6: Device error messages – DDE bit 3**

<b>Code</b>	<b>Message</b>
300	Device-specific error
310	System error
311	Memory error
313	Calibration memory lost
314	Save/recall memory lost
315	Configuration memory lost
350	Queue overflow (does not set DDE bit)
361	Parity error in program message (check parity)
362	Framing error in program message (check baud rate)
363	Input buffer overrun (check flagging)

Table 3-7 lists the system event messages. These messages are generated whenever certain system conditions occur.

**Table 3-7: System event messages**

<b>Code</b>	<b>Message</b>
400	Query event
401	Power on (PON bit 7 set)
402	Operation complete (OPC bit 0 set)
403	User request (URQ bit 6 set)
404	Power fail (DDE bit 3 set)
405	Request control

**Table 3-7: System event messages (Cont.)**

<b>Code</b>	<b>Message</b>
410	Query INTERRUPTED (QYE bit 2 set)
420	Query UNTERMINATED (QYE bit 2 set)
430	Query DEADLOCKED (QYE bit 2 set)
440	Query UNTERMINATED after indefinite response (QYE bit 2 set), normally caused by using a query that returns arbitrary data in a concatenated command

Table 3-8 lists warning messages that do not interrupt the flow of command execution. These notify you that you may get unexpected results.

**Table 3-8: Execution warning messages – EXE Bit 4**

<b>Code</b>	<b>Message</b>
500	Execution warning
510	String data too long, truncated
525	Parameter underrange
526	Parameter overrange
527	Parameter rounded
528	Parameter out of range
530	Data start > stop, Values swapped internally
531	Data stop > record length, Curve truncated
532	Curve data too long, Curve truncated
540	Measurement warning
541	Measurement warning, Low signal amplitude
542	Measurement warning, Unstable histogram
543	Measurement warning, Low resolution

**Table 3-8: Execution warning messages – EXE Bit 4 (Cont.)**

<b>Code</b>	<b>Message</b>
544	Measurement warning, Uncertain edge
545	Measurement warning, Invalid in minmax
546	Measurement warning, Need 3 edges
547	Measurement warning, Clipping positive/negative
548	Measurement warning, Clipping positive
549	Measurement warning, Clipping negative

Table 3-9 lists internal errors that indicate an internal fault in the oscilloscope.

**Table 3-9: Internal warning messages**

<b>Code</b>	<b>Message</b>
600	Internal warning



# **Programming Examples**





# Programming Examples

The following series of commands and queries illustrate many of the most common commands and techniques. Table 2-1 on page 2-1 lists oscilloscopes, extension modules, and the communication protocol you can use with them.

To use these commands and queries over USB, you will need to use a program or routines that interface to the USBTMC driver on your PC. You can also use the PC Communications software that came on the CD with your oscilloscope to get the same data without having to write programs. For operating information, you can launch the PC Communications software and refer to the online help.

To use these commands and queries over GPIB, you will need to use a program or routines that interface to the GPIB hardware in your computer. The software is usually supplied by the GPIB hardware manufacturer.

To use these commands and queries over RS-232, you will need to use a communications program on your computer, such as tip in the Unix environment, or Hyperterminal in the Microsoft Windows environment.

In these examples, data sent from the controller computer to the oscilloscope is prefaced with the > symbol. Replies from the oscilloscope have no preface.

```
> rem "Check for any messages, and clear them from the queue."  
> *esr?  
128  
> allev?  
:ALLEV 401,"Power on; "  
  
> rem "Set the scope to the default state."  
> factory  
  
> rem "Set the scope parameters that differ from the defaults."  
> chl:volts 2.0  
> hor:main:scale 100e-6  
> trig:main:level 2.4
```

```
> rem "Start a single sequence acquisition."
> acquire:stopafter sequence
> acquire:state on
> rem "Wait for the acquisition to complete."
> rem "Note: your controller program time-out must be set long
enough to handle the wait."
> *opc?
1

> rem "Use the oscilloscope built-in measurements to measure the
waveform you acquired."
> measu:immed:type mean
> measu:immed:value?
:MEASUREMENT:IMMED:VALUE 2.4631931782E0

> rem "Be sure to use the *esr? query to check for measurement
errors."
> measu:immed:type freq
> Measu:immed:value?
:MEASUREMENT:IMMED:VALUE 9.9E37
> *esr?
16
> allev?
:ALLEV 2202,"Measurement error, No period found; "

> rem "Query out the waveform points, for later analysis on your
controller computer."
> data:encdg ascii
> curve?
:CURVE 7,6,5,5,5,6,6,6,8 [...]
```

```
> rem "Query out the parameters used for caculating the times and
voltages of the waveform points."
> wfmpre?
:WFMPRE:BYT_NR 1;BIT_NR 8;ENCDG ASC;BN_FMT RP;BYT_OR MSB;NR_PT
2500; [...]
```



# Appendices



# Appendix A: ASCII Code Chart

	0	1	2	3	4	5	6	7
<b>0</b>	<sup>0</sup> <b>NUL</b> <sub>0 0</sub>	<sup>20</sup> <b>DLE</b> <sub>10 16</sub>	<sup>40</sup> <b>SP</b> <sub>20 32</sub>	<sup>60</sup> <b>0</b> <sub>30 48</sub>	<sup>100</sup> <b>@</b> <sub>40 64</sub>	<sup>120</sup> <b>P</b> <sub>50 80</sub>	<sup>140</sup> <b>,</b> <sub>60 96</sub>	<sup>160</sup> <b>p</b> <sub>70 112</sub>
<b>1</b>	<sup>1</sup> <b>SOH</b> <sub>1 1</sub>	<sup>21</sup> <b>DC1</b> <sub>11 17</sub>	<sup>41</sup> <b>!</b> <sub>21 33</sub>	<sup>61</sup> <b>1</b> <sub>31 49</sub>	<sup>101</sup> <b>A</b> <sub>41 65</sub>	<sup>121</sup> <b>Q</b> <sub>51 81</sub>	<sup>141</sup> <b>a</b> <sub>61 97</sub>	<sup>161</sup> <b>q</b> <sub>71 113</sub>
<b>2</b>	<sup>2</sup> <b>STX</b> <sub>2 2</sub>	<sup>22</sup> <b>DC2</b> <sub>12 18</sub>	<sup>42</sup> <b>”</b> <sub>22 34</sub>	<sup>62</sup> <b>2</b> <sub>32 50</sub>	<sup>102</sup> <b>B</b> <sub>42 66</sub>	<sup>122</sup> <b>R</b> <sub>52 82</sub>	<sup>142</sup> <b>b</b> <sub>62 98</sub>	<sup>162</sup> <b>r</b> <sub>72 114</sub>
<b>3</b>	<sup>3</sup> <b>ETX</b> <sub>3 3</sub>	<sup>23</sup> <b>DC3</b> <sub>13 19</sub>	<sup>43</sup> <b>#</b> <sub>23 35</sub>	<sup>63</sup> <b>3</b> <sub>33 51</sub>	<sup>103</sup> <b>C</b> <sub>43 67</sub>	<sup>123</sup> <b>S</b> <sub>53 83</sub>	<sup>143</sup> <b>c</b> <sub>63 99</sub>	<sup>163</sup> <b>s</b> <sub>73 115</sub>
<b>4</b>	<sup>4</sup> <b>EOT</b> <sub>4 4</sub>	<sup>24</sup> <b>DC4</b> <sub>14 20</sub>	<sup>44</sup> <b>\$</b> <sub>24 36</sub>	<sup>64</sup> <b>4</b> <sub>34 52</sub>	<sup>104</sup> <b>D</b> <sub>44 68</sub>	<sup>124</sup> <b>T</b> <sub>54 84</sub>	<sup>144</sup> <b>d</b> <sub>64 100</sub>	<sup>164</sup> <b>t</b> <sub>74 116</sub>
<b>5</b>	<sup>5</sup> <b>ENQ</b> <sub>5 5</sub>	<sup>25</sup> <b>NAK</b> <sub>15 21</sub>	<sup>45</sup> <b>%</b> <sub>25 37</sub>	<sup>65</sup> <b>5</b> <sub>35 53</sub>	<sup>105</sup> <b>E</b> <sub>45 69</sub>	<sup>125</sup> <b>U</b> <sub>55 85</sub>	<sup>145</sup> <b>e</b> <sub>65 101</sub>	<sup>165</sup> <b>u</b> <sub>75 117</sub>
<b>6</b>	<sup>6</sup> <b>ACK</b> <sub>6 6</sub>	<sup>26</sup> <b>SYN</b> <sub>16 22</sub>	<sup>46</sup> <b>&amp;</b> <sub>26 38</sub>	<sup>66</sup> <b>6</b> <sub>36 54</sub>	<sup>106</sup> <b>F</b> <sub>46 70</sub>	<sup>126</sup> <b>V</b> <sub>56 86</sub>	<sup>146</sup> <b>f</b> <sub>66 102</sub>	<sup>166</sup> <b>v</b> <sub>76 118</sub>
<b>7</b>	<sup>7</sup> <b>BEL</b> <sub>7 7</sub>	<sup>27</sup> <b>ETB</b> <sub>17 23</sub>	<sup>47</sup> <b>,</b> <sub>27 39</sub>	<sup>67</sup> <b>7</b> <sub>37 55</sub>	<sup>107</sup> <b>G</b> <sub>47 71</sub>	<sup>127</sup> <b>W</b> <sub>57 87</sub>	<sup>147</sup> <b>g</b> <sub>67 103</sub>	<sup>167</sup> <b>w</b> <sub>77 119</sub>
<b>8</b>	<sup>10</sup> <b>BS</b> <sub>8 8</sub>	<sup>30</sup> <b>CAN</b> <sub>18 24</sub>	<sup>50</sup> <b>(</b> <sub>28 40</sub>	<sup>70</sup> <b>8</b> <sub>38 56</sub>	<sup>110</sup> <b>H</b> <sub>48 72</sub>	<sup>130</sup> <b>X</b> <sub>58 88</sub>	<sup>150</sup> <b>h</b> <sub>68 104</sub>	<sup>170</sup> <b>x</b> <sub>78 120</sub>
<b>9</b>	<sup>11</sup> <b>HT</b> <sub>9 9</sub>	<sup>31</sup> <b>EM</b> <sub>19 25</sub>	<sup>51</sup> <b>)</b> <sub>29 41</sub>	<sup>71</sup> <b>9</b> <sub>39 57</sub>	<sup>111</sup> <b>I</b> <sub>49 73</sub>	<sup>131</sup> <b>Y</b> <sub>59 89</sub>	<sup>151</sup> <b>i</b> <sub>69 105</sub>	<sup>171</sup> <b>y</b> <sub>79 121</sub>

*Continued on next page*

# Appendix A: ASCII Code Chart

	0	1	2	3	4	5	6	7
<b>A</b>	<sup>12</sup> LF A 10	<sup>32</sup> SUB 1A 26	<sup>52</sup> * 2A 42	<sup>72</sup> : 3A 58	<sup>112</sup> J 4A 74	<sup>132</sup> Z 5A 90	<sup>152</sup> j 6A 106	<sup>172</sup> z 7A 122
<b>B</b>	<sup>13</sup> VT B 11	<sup>33</sup> ESC 1B 27	<sup>53</sup> + 2B 43	<sup>73</sup> ; 3B 59	<sup>113</sup> K 4B 75	<sup>133</sup> [ 5B 91	<sup>153</sup> k 6B 107	<sup>173</sup> { 7B 123
<b>C</b>	<sup>14</sup> FF C 12	<sup>34</sup> FS 1C 28	<sup>54</sup> , 2C 44	<sup>74</sup> < 3C 60	<sup>114</sup> L 4C 76	<sup>134</sup> \ 5C 92	<sup>154</sup> l 6C 108	<sup>174</sup>   7C 124
<b>D</b>	<sup>15</sup> CR D 13	<sup>35</sup> GS 1D 29	<sup>55</sup> - 2D 45	<sup>75</sup> = 3D 61	<sup>115</sup> M 4D 77	<sup>135</sup> ] 5D 93	<sup>155</sup> m 6D 109	<sup>175</sup> } 7D 125
<b>E</b>	<sup>16</sup> SO E 14	<sup>36</sup> RS 1E 30	<sup>56</sup> . 2E 46	<sup>76</sup> > 3E 62	<sup>116</sup> N 4E 78	<sup>136</sup> ^ 5E 94	<sup>156</sup> n 6E 110	<sup>176</sup> ~ 7E 126
<b>F</b>	<sup>17</sup> SI F 15	<sup>37</sup> US 1F 31	<sup>57</sup> / 2F 47	<sup>77</sup> ? 3F 63	<sup>117</sup> O 4F 79	<sup>137</sup> _ 5F 95	<sup>157</sup> o 6F 111	<sup>177</sup> DEL (RUBOUT) 7F 127

## KEY

octal

25

**NAK**

ASCII character

hex

15

21

decimal

## Appendix B: Factory Setup

The following listing is the instrument response to the concatenated command `FACTory;SET?`. This response describes the factory default setup in detail. (Carriage returns have been inserted for clarity.)

Items enclosed in ( ) parentheses are returned by the `SET?` query response, but are not changed by the `FACTory` command.

### TDS1000B and TDS2000B Series Oscilloscopes

This is a typical response for 2 channel models with a monochrome display.

```
:HEADER 1;:VERBOSE 1;
:DATA:ENCDG RIBINARY;DESTINATION REFA;SOURCE CH1;START
  1;STOP 2500;WIDTH 1;
:LOCK NONE;
:DISPLAY:FORMAT YT;STYLE VECTORS;PERSISTENCE 0;CONTRAST
  50;INVERT OFF;
:ACQUIRE:MODE SAMPLE;NUMAVG 16;STATE 1;STOPAFTER
  RUNSTOP;
:CH1:PROBE 1.0E1;CURRENTPROBE 1.0E1;SCALE 1.0E0;POSITION
  0.0E0;COUPLING DC;BANDWIDTH OFF;INVERT OFF;YUNIT "V";
:CH2:PROBE 1.0E1;CURRENTPROBE 1.0E1;SCALE 1.0E0;POSITION
  0.0E0;COUPLING DC;BANDWIDTH OFF;INVERT OFF;YUNIT "V";
  :HORIZONTAL:VIEW MAIN;MAIN:SCALE 5.0E-4;POSITION
  0.0E0;
:HORIZONTAL:DELAY:SCALE 5.0E-5;POSITION 0.0E0;
  :TRIGGER:MAIN:MODE AUTO;TYPE EDGE;HOLDOFF:VALUE
  5.0E-7;
:TRIGGER:MAIN:EDGE:SOURCE CH1;COUPLING DC;SLOPE RISE;
```

```
:TRIGGER:MAIN:VIDEO:SOURCE CH1;SYNC LINE;POLARITY
  NORMAL;LINE 1;STANDARD NTSC;

:TRIGGER:MAIN:PULSE:SOURCE CH1;WIDTH:POLARITY
  POSITIVE;WHEN EQUAL;WIDTH 1.0E-3;

:TRIGGER:MAIN:LEVEL 0.0E0;:SELECT:CH1 1;CH2 0;MATH
  0;REFA 0;REFB 0;

:CURSOR:FUNCTION OFF;SELECT:SOURCE CH1;

:CURSOR:VBARS:UNITS SECONDS;POSITION1 -2.0E-3;POSITION2
  2.0E-3;

:CURSOR:HBARS:POSITION1 3.2E0;POSITION2 -3.2E0;

:MEASUREMENT:MEAS1:TYPE NONE;SOURCE CH1;

:MEASUREMENT:MEAS2:TYPE NONE;SOURCE CH1;

:MEASUREMENT:MEAS3:TYPE NONE;SOURCE CH1;

:MEASUREMENT:MEAS4:TYPE NONE;SOURCE CH1;

:MEASUREMENT:MEAS5:TYPE NONE;SOURCE CH1;

:MEASUREMENT:IMMED:TYPE PERIOD;SOURCE1 CH1;

:MATH:DEFINE "CH1 - CH2";VERTICAL:POSITION 0.0E0;SCALE
  2.0E0;

:MATH:FFT:HORIZONTAL:POSITION 5.0E1;SCALE 1.0E0;

:MATH:FFT:VERTICAL:POSITION 0.0E0;SCALE 1.0E0;

:HARDCOPY:BUTTON PRINTS;FORMAT JPEG;PORT USB;LAYOUT
  PORTRAIT;INKSAVER ON;

:PICTBRIDGE:PAPERSIZE DEFLT;IMAGESIZE DEFLT;PAPERTYPE
  DEFLT;PRINTQUAL DEFLT;DATEPRINT DEFLT;IDPRINT DEFLT;

:LANGUAGE ENGLISH;

:AUTORANGE:SETTINGS BOTH;

:SAVE:IMAGE:FILEFORMAT JPEG
```



## TPS2000 Series Oscilloscopes

Items enclosed in < > brackets are present only when the TPS2PWR1 Power Application Module software key is installed.

This is a typical response for 2 channel models.

```
:HEADER 1;:VERBOSE 1;

:DATA:ENCDG RIBINARY;DESTINATION REFA;SOURCE CH1;START
  1;STOP 2500;WIDTH 1;

:LOCK NONE;

:DISPLAY:FORMAT YT;STYLE VECTORS;PERSISTENCE
  0;BRIGHTNESS 30;CONTRAST 50;INVERT OFF;

:ACQUIRE:MODE SAMPLE;NUMAVG 16;STATE 1;STOPAFTER
  RUNSTOP;

:CH1:PROBE 1.0E1;CURRENTPROBE 1.0E1;SCALE 1.0E0;POSITION
  0.0E0;COUPLING DC;BANDWIDTH OFF;INVERT OFF;YUNIT "V";

:CH2:PROBE 1.0E1;CURRENTPROBE 1.0E1;SCALE 1.0E0;POSITION
  0.0E0;COUPLING DC;BANDWIDTH OFF;INVERT OFF;YUNIT "V";

:HORIZONTAL:VIEW MAIN;MAIN:SCALE 5.0E-4;POSITION 0.0E0;

:HORIZONTAL:DELAY:SCALE 5.0E-5;POSITION 0.0E0;

:TRIGGER:MAIN:MODE AUTO;TYPE EDGE;HOLDOFF:VALUE 5.0E-7;

:TRIGGER:MAIN:EDGE:SOURCE CH1;COUPLING DC;SLOPE RISE;

:TRIGGER:MAIN:VIDEO:SOURCE CH1;SYNC LINE;POLARITY
  NORMAL;LINE 1;STANDARD NTSC;

:TRIGGER:MAIN:PULSE:SOURCE CH1;WIDTH:POLARITY
  POSITIVE;WHEN EQUAL;WIDTH 1.0E- 3;

:TRIGGER:MAIN:LEVEL 0.0E0;:SELECT:CH1 1;CH2 0;MATH
  0;REFA 0;REFB 0;

:CURSOR:FUNCTION OFF;SELECT:SOURCE CH1;

:CURSOR:VBARS:UNITS SECONDS;POSITION1 -2.0E-3;POSITION2
  2.0E-3;
```

```
:CURSOR:HBBARS:POSITION1 3.2E0;POSITION2 -3.2E0;
:MEASUREMENT:MEAS1:TYPE NONE;SOURCE CH1;
:MEASUREMENT:MEAS2:TYPE NONE;SOURCE CH1;
:MEASUREMENT:MEAS3:TYPE NONE;SOURCE CH1;
:MEASUREMENT:MEAS4:TYPE NONE;SOURCE CH1;
:MEASUREMENT:MEAS5:TYPE NONE;SOURCE CH1;
:MEASUREMENT:IMMED:TYPE PERIOD;SOURCE1
  CH1;<SOURCE2 CH2;>
:MATH:DEFINE "CH1 - CH2";VERTICAL:POSITION 0.0E0;SCALE
  2.0E0;
:MATH:FFT:HORIZONTAL:POSITION 5.0E1;SCALE 1.0E0;
:MATH:FFT:VERTICAL:POSITION 0.0E0;SCALE 1.0E0;
:HARDCOPY:BUTTON PRINTS;FORMAT EPSON;PORT
  CENTRONICS;LAYOUT PORTRAIT;INKSAVER ON;
:LANGUAGE ENGLISH;
:AUTORANGE:SETTINGS BOTH;
:SAVE:IMAGE:FILE FORMAT BMP;
<:POWERANALYSIS:SOURCES CH1CH2;>
<:WAVEFORMANALYSIS:SOURCE CH1;>
<:HARMONICS:ENABLE OFF;SETUP AUTOMATIC;SHOW ALL;SELECT
  1;SOURCE CH1;>
<:SWLOSS:ACQUIRE CONTINUOUS;ENABLE OFF;SOURCES
  CH1CH2;STOPAFTER 50;TONSTART 90;TONEND 10;TOFFSTART
  10;TOFFEND 10;VSAT 1.0E0;UNITS WATTS>
```

## TDS1000 and TDS2000 Series Oscilloscopes

Items enclosed in < > angle brackets are present only when the TDS2MEM module is installed.

Responses for channel 3 and 4 apply only to 4-channel models.

```
:HEADER 1;(:VERBOSE 1;)
:DATA:ENCDG RIBINARY;DESTINATION REFA;SOURCE CH1;START
  1;STOP 2500;WIDTH 1;
(:LOCK NONE;)
:DISPLAY:FORMAT YT;STYLE VECTORS;PERSISTENCE 0;(CONTRAST
  50);(INVERT OFF);
:ACQUIRE:MODE SAMPLE;NUMAVG 16;STATE 1;STOPAFTER
  RUNSTOP;
:CH1:PROBE 10;SCALE 1.0E0;POSITION 0.0E0;COUPLING
  DC;BANDWIDTH OFF;INVERT OFF;
:CH2:PROBE 10;SCALE 1.0E0;POSITION 0.0E0;COUPLING
  DC;BANDWIDTH OFF;INVERT OFF;
:CH3:PROBE 10;SCALE 1.0E0;POSITION 0.0E0;COUPLING
  DC;BANDWIDTH OFF;INVERT OFF;
:CH4:PROBE 10;SCALE 1.0E0;POSITION 0.0E0;COUPLING
  DC;BANDWIDTH OFF;INVERT OFF;
:HORIZONTAL:VIEW MAIN;MAIN:SCALE 5.0E-4;POSITION 0.0E0;
:HORIZONTAL:DELAY:SCALE 5.0E-5;POSITION 0.0E0;
:TRIGGER:MAIN:MODE AUTO;TYPE EDGE;HOLDOFF:VALUE 5.0E-7;
:TRIGGER:MAIN:EDGE:SOURCE CH1;COUPLING DC;SLOPE RISE;
:TRIGGER:MAIN:VIDEO:SOURCE CH1;SYNC LINE;POLARITY
  NORMAL;LINE 1;STANDARD NTSC;
:TRIGGER:MAIN:PULSE:SOURCE CH1;WIDTH:POLARITY
  POSITIVE;WHEN EQUAL;WIDTH 1.0E-3;
:TRIGGER:MAIN:LEVEL 0.0E0;
```

```
:SELECT:CH1 1;CH2 0;CH3 0;CH4 0;MATH 0;REFA 0;REFB
 0;REFC 0;REFD 0;
:CURSOR:FUNCTION OFF;SELECT:SOURCE CH1;
:CURSOR:VBARS:UNITS SECONDS;POSITION1 -2.0E-3;POSITION2
 2.0E-3;
:CURSOR:HBARS:POSITION1 -3.2E0;POSITION2 3.2E0;
:MEASUREMENT:MEAS1:TYPE NONE;SOURCE CH1;
:MEASUREMENT:MEAS2:TYPE NONE;SOURCE CH1;
:MEASUREMENT:MEAS3:TYPE NONE;SOURCE CH1;
:MEASUREMENT:MEAS4:TYPE NONE;SOURCE CH1;
:MEASUREMENT:MEAS5:TYPE NONE;SOURCE CH1;
:MEASUREMENT:IMMED:TYPE PERIOD;SOURCE CH1;
:MATH:DEFINE "CH1 - CH2";FFT:HORIZONTAL:POSITION
 5.0E1;SCALE 1.0E0;
:MATH:FFT:VERTICAL:POSITION 0.0E0;SCALE 1.0E0;
(:HARDCOPY:<BUTTON PRINTS;>FORMAT EPSON;PORT
  CENTRONICS;LAYOUT PORTRAIT;INKSAVER ON;)
(<SAVE:IMAGE:FILEFORMAT BMP;>)
(:LANGUAGE ENGLISH)
```

## TDS210 and TDS220 Oscilloscopes

Items enclosed in < > brackets are present only when the TDS2MM module is installed.

```
:HEADER 1;(:VERBOSE 1;)
:DATA:ENCDG RIBINARY;DESTINATION REFA;SOURCE CH1;
  START 1;STOP 2500;WIDTH 1;
(:LOCK NONE;)
:DISPLAY:FORMAT YT;STYLE VECTORS;PERSISTENCE 0;
  CONTRAST 50;
```

```
:ACQUIRE:MODE SAMPLE;NUMAVG 16;STATE 1;
STOPAFTER RUNSTOP;

:CH1:PROBE 10;SCALE 1.0E0;POSITION 0.0E0;
COUPLING DC;BANDWIDTH OFF;<INVERT OFF;>

:CH2:PROBE 10;SCALE 1.0E0;POSITION 0.0E0;
COUPLING DC;BANDWIDTH OFF;<INVERT OFF;>

:HORIZONTAL:VIEW MAIN; MAIN:SCALE 5.0E-4;POSITION 0.0E0;
:HORIZONTAL:DELAY:SCALE 5.0E-5;POSITION 0.0E0;

:TRIGGER:MAIN:MODE AUTO;TYPE EDGE; HOLDOFF:VALUE 5.0E-7;
:TRIGGER:MAIN:EDGE:SOURCE CH1;COUPLING DC;SLOPE RISE;
:TRIGGER:MAIN:VIDEO:SOURCE CH1;SYNC LINE;POLARITY
NORMAL;

:TRIGGER:MAIN:LEVEL 0.0E0;

:SELECT:CH1 1;CH2 0;MATH 0;REFA 0;REFB 0;

:CORSOR:FUNCTION OFF;SELECT:SOURCE CH1;

:CORSOR:VBARS:UNITS SECONDS; POSITION1 -2.0E-3;
POSITION2 2.0E-3;

:CORSOR:HBARS:POSITION1 -3.2E0; POSITION2 3.2E0;

:MEASUREMENT:MEAS1:TYPE NONE;SOURCE CH1;
:MEASUREMENT:MEAS2:TYPE NONE;SOURCE CH1;
:MEASUREMENT:MEAS3:TYPE NONE;SOURCE CH1;
:MEASUREMENT:MEAS4:TYPE NONE;SOURCE CH1;
:MEASUREMENT:IMMED:TYPE PERIOD;SOURCE CH1;

:MATH:DEFINE "CH1 + CH2";
<FFT:HORIZONTAL:POSITION 5.0E1;SCALE 1.0E0;>
<:MATH:FFT:VERTICAL:POSITION 0.0E0;SCALE 1.0E0;>
(:HARDCOPY:FORMAT EPSON;PORT CENTRONICS; LAYOUT
PORTRAIT;)

(:LANGUAGE ENGLISH)
```

## TDS224 Oscilloscopes

Items enclosed in < > brackets are present only when the TDS2MM module is installed.

```
:HEADER 1;(:VERBOSE 1;)
:DATA:ENCDG RIBINARY;DESTINATION REFA;SOURCE CH1;
  START 1;STOP 2500;WIDTH 1;
(:LOCK NONE;)
:DISPLAY:FORMAT YT;STYLE VECTORS;PERSISTENCE 0;
  CONTRAST 50;
:ACQUIRE:MODE SAMPLE;NUMAVG 16;STATE 1;STOPAFTER
  RUNSTOP;
:CH1:PROBE 10;SCALE 1.0E0;POSITION 0.0E0;COUPLING
  DC;BANDWIDTH OFF;INVERT OFF;
:CH2:PROBE 10;SCALE 1.0E0;POSITION 0.0E0;COUPLING
  DC;BANDWIDTH OFF;INVERT OFF;
:CH3:PROBE 10;SCALE 1.0E0;POSITION 0.0E0;COUPLING
  DC;BANDWIDTH OFF;INVERT OFF;
:CH4:PROBE 10;SCALE 1.0E0;POSITION 0.0E0;COUPLING
  DC;BANDWIDTH OFF;INVERT OFF;
:HORIZONTAL:VIEW MAIN;MAIN:SCALE 5.0E-4;POSITION 0.0E0;
:HORIZONTAL:DELAY:SCALE 5.0E-5; POSITION 0.0E0;
:TRIGGER:MAIN:MODE AUTO;TYPE EDGE; HOLDOFF:VALUE 5.0E-7;
:TRIGGER:MAIN:EDGE:SOURCE CH1;COUPLING DC;SLOPE RISE;
:TRIGGER:MAIN:VIDEO:SOURCE CH1;SYNC LINE;POLARITY
  NORMAL;
:TRIGGER:MAIN:LEVEL 0.0E0;
:SELECT:CH1 1;CH2 0;CH3 0;CH4 0;MATH 0;REFA 0; REFB
  0;REFC 0;REFD 0;
:CURSOR:FUNCTION OFF;SELECT:SOURCE CH1;
```

```
:CURSOR:VBARS:UNITS SECONDS;POSITION1 -2.0E-3;  
    POSITION2 2.0E-3;  
:CURSOR:HBARS:POSITION1 -3.2E0;POSITION2 3.2E0;  
:MEASUREMENT:MEAS1:TYPE NONE;SOURCE CH1;  
:MEASUREMENT:MEAS2:TYPE NONE;SOURCE CH1;  
:MEASUREMENT:MEAS3:TYPE NONE;SOURCE CH1;  
:MEASUREMENT:MEAS4:TYPE NONE;SOURCE CH1;  
:MEASUREMENT:IMMED:TYPE PERIOD;SOURCE CH1;  
:MATH:DEFINE "CH1 - CH2";  
<FFT:HORIZONTAL:POSITION 5.0E1;SCALE 1.0E0;>  
<:MATH:FFT:VERTICAL:POSITION 0.0E0;SCALE 1.0E0;>  
(:HARDCOPY:FORMAT EPSON;PORT CENTRONICS; LAYOUT  
    PORTRAIT;)  
(:LANGUAGE ENGLISH)
```







# **Glossary and Index**



# Glossary

## **ASCII**

Acronym for the American Standard Code for Information Interchange. Controllers transmit commands to the digitizing oscilloscope using ASCII character encoding.

## **Address**

A 7-bit code that identifies an instrument on the communication bus. The digitizing oscilloscope must have a unique address for the controller to recognize and transmit commands to it.

## **Backus-Naur Form (BNF)**

A standard notation system for command syntax. The syntax in this manual use BNF notation.

## **Controller**

A computer or other device that sends commands to and accepts responses from the digitizing oscilloscope.

## **EOI**

A mnemonic referring to the control line “End or Identify” on the GPIB interface bus. One of the two possible end-of-message terminators.

## **EOM**

A generic acronym referring to the end-of-message terminator. For GPIB, the end-of-message terminator is either an EOI or the ASCII code for line feed (LF). For RS-232, the end-of-message terminator is the ASCII code for line feed (LF). For USB, the end-of-message terminator is the EOM bit in a USBTMC message.

## **GPIB Address**

When communicating with a TDS1000B or TDS2000B series oscilloscope using a TEK-USB-488 adapter, you can set a unique GPIB address for the oscilloscope in the **UTILITY** ► **Options** ► **GPIB Setup** option.

**IEEE**

Acronym for the Institute of Electrical and Electronics Engineers.

**RS-232**

A serial, full-duplex, asynchronous communication port that follows ANSI/EIA/TIA-562-1989[1], ANSI/EIA/TIA-574-1990[2], and CCITT V.24-1989[3] standards.

**Serial Poll**

A device (such as an oscilloscope) on the GPIB bus can request service from the GPIB Controller by asserting the GPIB SRQ line (a Hardware line that is only present on the GPIB communications bus). A device on the USB bus can request service from the host by sending an SRQ packet on the Interrupt-IN endpoint. When a controller or a USB host acknowledges the SRQ, it “serial polls” each open device on the bus to determine which device on the bus requested service. Any device requesting service returns a status byte with bit 6 set and then unasserts the SRQ line (GPIB only). Devices not requiring service return a status byte with bit 6 cleared.

**USB**

An acronym for Universal Serial Bus.

**USBTMC**

An acronym for USB Test and Measurement Class.

**USB488**

The USBTMC subclass specification that implements an IEEE488-like interface over USB.

# Index

## A

Abbreviating, commands, 2-6  
ACQUIRE?, 2-45  
ACQUIRE:MODE, 2-46  
ACQUIRE:NUMACQ?, 2-47  
ACQUIRE:NUMAVG, 2-48  
ACQUIRE:STATE, 2-49  
ACQUIRE:STOPAFTER, 2-50  
Acquisition command group, 2-15  
Acquisition commands  
    ACQUIRE?, 2-45  
    ACQUIRE:MODE, 2-46  
    ACQUIRE:NUMACQ?, 2-47  
    ACQUIRE:NUMAVG, 2-48  
    ACQUIRE:STATE, 2-49  
    ACQUIRE:STOPAFTER, 2-50  
ALLEV?, 2-51  
Argument, command, 2-3  
ASCII, 2-1  
    code chart, A-1  
AUTORANGE?, 2-52  
AUTORANGE:SETTINGS, 2-54  
AUTORANGE:STATE, 2-53  
AUTOSET, 2-55  
AUTOSET:ENABLE, 2-55  
AUTOSET:SIGNAL, 2-55  
AUTOSET:VIEW, 2-56

## B

Block, command argument, 2-13  
BNF (Backus Naur form), 2-2  
Break signal, 2-5  
BUSY?, 2-57, 3-13

## C

\*CAL?, 2-58  
CALIBRATE:ABORT, 2-59  
CALIBRATE:CONTINUE, 2-60  
CALIBRATE:FACTory, 2-60  
CALIBRATE:INTERNAL, 2-61  
CALIBRATE:STATUS?, 2-62  
Calibration and diagnostic command group, 2-16  
Calibration and diagnostic commands  
    \*CAL?, 2-58  
    CALIBRATE:ABORT, 2-59  
    CALIBRATE:CONTINUE, 2-60  
    CALIBRATE:FACTory, 2-60  
    CALIBRATE:INTERNAL, 2-61  
    CALIBRATE:STATUS?, 2-62  
    DIAG:RESULT:FLAG?, 2-96  
    DIAG:RESULT:LOG?, 2-96  
    ERRORLOG:FIRST?, 2-102  
    ERRORLOG:NEXT?, 2-102  
CH<x>, command mnemonic, 2-9  
CH<x>?, 2-62  
CH<x>:BANDWIDTH, 2-63  
CH<x>:COUPLING, 2-64  
CH<x>:CURRENTPROBE, 2-65  
CH<x>:INVERT, 2-66  
CH<x>:POSITION, 2-67  
CH<x>:PROBE, 2-68  
CH<x>:SCALE, 2-69  
CH<x>:VOLTS, 2-70  
CH<x>:YUNIT, 2-71  
Channel, command mnemonic, 2-9  
Clear status, 2-71

- \*CLS, 2-71
- Command
  - abbreviating, 2-6
  - argument, 2-3
  - block argument, 2-13
  - BUSY?, 3-13
  - common, 2-25, 2-33
  - concatenating, 2-6
  - definition, 2-4
  - header, 2-3
  - message, 2-2
  - mnemonic, 2-3
  - \*OPC, 3-14
  - query, 2-2
  - separator, 2-3
  - set, 2-2
  - synchronizing, 3-10
  - syntax, 2-1
    - BNF (Backus Naur form), 2-2
  - \*WAI, 3-11
- Command argument
  - numeric, 2-11
  - quoted string, 2-12
- Command entry rules, 2-6
- Command group
  - acquisition, 2-15
  - calibration and diagnostic, 2-16
  - cursor, 2-17
  - display, 2-18
  - file system (TDS2MEM only), 2-19
  - hardcopy, 2-20
  - horizontal, 2-21
  - math, 2-22
  - measurement, 2-23
  - miscellaneous, 2-25
  - PictBridge, 2-27
  - power and battery related, 2-28
  - power measurements, 2-28
  - RS-232, 2-32
  - save and recall, 2-32
  - status and error, 2-33
  - trigger, 2-34
  - vertical, 2-36
  - waveform, 2-37
- Command mnemonic
  - CH<x>, 2-9
  - channel, 2-9
  - MEAS<x>, 2-10
  - measurement specifier, 2-10
  - REF<x>, 2-9
  - reference waveform, 2-9
  - waveform, 2-10
  - <wfm>, 2-10
- Command syntax, BNF (Backus Naur form), 2-2
- Common command, 2-33
- Common GPIB commands
  - \*CAL?, 2-58
  - CALIBRATE:CONTINUE, 2-60
  - CALIBRATE:FACTory, 2-60
  - CALIBRATE:INTERNAL, 2-61
  - CALIBRATE:STATUS?, 2-62
  - \*CLS, 2-71
- communications modules, references to, xi
- Concatenating, command, 2-6
- Configuration, command query, 2-143
- Conventions, xi
- Cursor command group, 2-17
- Cursor commands
  - CURSOR?, 2-72
  - CURSOR:FUNCTION, 2-73
  - CURSOR:HBARS?, 2-74
  - CURSOR:HBARS:DELTA?, 2-74
  - CURSOR:HBARS:POSITION<x>, 2-75
  - CURSOR:HBARS:UNITS?, 2-76

CURSOR:SELECT:SOURCE,  
2-77  
CURSOR:VBARS?, 2-78  
CURSOR:VBARS:DELTA?,  
2-78  
CURSOR:VBARS:HDELTA?,  
2-79  
CURSOR:VBARS:HPOS<x>?,  
2-80  
CURSOR:VBARS:POSITION<x>,  
2-81  
CURSOR:VBARS:SLOPE?,  
2-82  
CURSOR:VBARS:UNITS, 2-82  
CURSOR:VBARS:VDELTA?,  
2-83  
CURSOR?, 2-72  
CURSOR:FUNCTION, 2-73  
CURSOR:HBARS?, 2-74  
CURSOR:HBARS:DELTA?, 2-74  
CURSOR:HBARS:POSITION<x>,  
2-75  
CURSOR:HBARS:UNITS?, 2-76  
CURSOR:SELECT:SOURCE,  
2-77  
CURSOR:VBARS?, 2-78  
CURSOR:VBARS:DELTA?, 2-78  
CURSOR:VBARS:HDELTA?,  
2-79  
CURSOR:VBARS:HPOS<x>?,  
2-80  
CURSOR:VBARS:POSITION<x>,  
2-81  
CURSOR:VBARS:SLOPE?, 2-82  
CURSOR:VBARS:UNITS, 2-82  
CURSOR:VBARS:VDELTA?,  
2-83  
CURVE, 2-84

## D

DATA, 2-85  
DATA:DESTINATION, 2-86  
DATA:ENCDG, 2-87  
DATA:SOURCE, 2-89  
DATA:START, 2-90  
DATA:STOP, 2-91  
DATA:TARGET, 2-92  
DATA:WIDTH, 2-92  
DATE, 2-93  
DCL, 2-5, 3-7  
\*DDT, 2-93  
DESE command, 2-94, 3-5  
DESER register, 2-94, 2-181, 3-4  
Device clear, 2-5  
DIAG:RESULT:FLAG?, 2-96  
DIAG:RESULT:LOG?, 2-96  
Display command group, 2-18  
Display commands  
  DISPLAY?, 2-97  
  DISPLAY:BRIGHTNESS, 2-97  
  DISPLAY:CONTRAST, 2-98  
  DISPLAY:FORMAT, 2-99  
  DISPLAY:INVERT, 2-100  
  DISPLAY:PERSISTENCE,  
  2-100  
  DISPLAY:STYLE, 2-101  
DISPLAY?, 2-97  
DISPLAY:BRIGHTNESS, 2-97  
DISPLAY:CONTRAST, 2-98  
DISPLAY:FORMAT, 2-99  
DISPLAY:INVERT, 2-100  
DISPLAY:PERSISTENCE, 2-100  
DISPLAY:STYLE, 2-101  
Documentation, vii

## E

- Entering commands, 2-6
- Entering incorrect numeric arguments, 2-11
- EOM (end of message), 2-8
- Error message, programming interface, 3-17
- ERRORLOG:FIRST?, 2-102
- ERRORLOG:NEXT?, 2-102
- \*ESE, 2-103, 3-5
- ESER register, 2-103, 2-181, 3-5
- \*ESR?, 2-104
- \*ESR? query, 3-2
- Event handling, 3-1
- Event query, 2-105
- Event queue, 2-105, 3-7
- Event queue sequence, 3-8
- EVENT?, 2-105
- EVMSG?, 2-105
- EVQTY?, 2-106
- Example programming, 4-1
- Examples
  - block argument, 2-14
  - Programming, 4-1
  - quoted strings, 2-13

## F

- FACTORY, 2-107
- Factory setup, detailed description, B-1
- File system command group, 2-19
- File system commands
  - FILESYSTEM?, 2-108
  - FILESYSTEM:CWD, 2-109
  - FILESYSTEM:DELETE, 2-110
  - FILESYSTEM:DIR, 2-110
  - FILESYSTEM:FORMAT, 2-111
  - FILESYSTEM:FREESPACE, 2-112

- FILESYSTEM:MKDIR, 2-113
- FILESYSTEM:RENAME, 2-114
- FILESYSTEM:RMDIR, 2-115
- FILESYSTEM?, 2-108
- FILESYSTEM:CWD, 2-109
- FILESYSTEM:DELETE, 2-110
- FILESYSTEM:DIR?, 2-110
- FILESYSTEM:FORMAT, 2-111
- FILESYSTEM:FREESPACE?, 2-112
- FILESYSTEM:MKDIR, 2-113
- FILESYSTEM:RENAME, 2-114
- FILESystem:RMDIR, 2-115

## G

- GPIB, EOM (end of message), 2-8

## H

- Hard copy command group, 2-20
- Hard copy commands
  - HARDCOPY, 2-116
  - HARDCOPY:BUTTON, 2-117
  - HARDCOPY:FORMAT, 2-118
  - HARDCOPY:INKSAVER, 2-120
  - HARDCOPY:LAYOUT, 2-121
  - HARDCOPY:PORT, 2-122
- HARDCOPY, 2-116
- HARDCOPY:BUTTON, 2-117
- HARDCOPY:FORMAT, 2-118
- HARDCOPY:INKSAVER, 2-120
- HARDCOPY:LAYOUT, 2-121
- HARDCOPY:PORT, 2-122
- HARMONICS?, 2-123
- HARMONICS:ENABLE, 2-124
- HARMONICS:FREQUENCY?, 2-124
- HARMONICS:HRMS?, 2-125



HARMONICS:PERCENT?, 2-126  
 HARMONICS:PHASE?, 2-126  
 HARMONICS:RMS?, 2-127  
 HARMONICS:SAVE?, 2-127  
 HARMONICS:SELECT, 2-128  
 HARMONICS:SETUP?, 2-129  
 HARMONICS:SHOW, 2-130  
 HARMONICS:SOURCE, 2-131  
 HARMONICS:THDF?, 2-131  
 HARMONICS:THDR?, 2-132  
 HDR, 2-132  
 HEADER, 2-133  
 Header  
   command, 2-3, 2-133  
   included in query response,  
     2-133, 2-241  
 Headers, in query responses, 2-5  
 Horizontal command group, 2-21  
 Horizontal commands  
   HORIZONTAL?, 2-134  
   HORIZONTAL:DELAY?, 2-134  
   HORIZONTAL:DELAY:POSITION,  
     2-135, 2-137, 2-139  
   HORIZONTAL:DELAY:SCALE,  
     2-136  
   HORIZONTAL:DELAY:SECDIV,  
     2-137  
   HORIZONTAL:MAIN?, 2-137  
   HORIZONTAL:MAIN:SCALE,  
     2-138  
   HORIZONTAL:MAIN:SECDIV,  
     2-139  
   HORIZONTAL:RECORD-LENGTH,  
     2-140  
   HORIZONTAL:SCALE, 2-140  
   HORIZONTAL:SECDIV, 2-140  
   HORIZONTAL:TRIGGER:POSITION,  
     2-141  
 HORIZONTAL?, 2-134  
 HORIZONTAL:DELAY?, 2-134

HORIZONTAL:DELAY:POSITION,  
   2-135, 2-137, 2-139  
 HORIZONTAL:DELAY:SCALE,  
   2-136  
 HORIZONTAL:DELAY:SECDIV,  
   2-137  
 HORIZONTAL:MAIN?, 2-137  
 HORIZONTAL:MAIN:SCALE,  
   2-138  
 HORIZONTAL:MAIN:SECDIV,  
   2-139  
 HORIZONTAL:RECORD-LENGTH,  
   2-140  
 HORIZONTAL:SCALE, 2-140  
 HORIZONTAL:SECDIV, 2-140  
 HORIZONTAL:TRIGGER:POSITION,  
   2-141

## I

ID?, 2-141  
 \*IDN?, 2-143  
 IEEE Std. 488.2-1987, 2-2, 2-25,  
   2-33

## L

LANGUAGE, 2-145  
 LOCK, 2-145  
 \*LRN?, 2-146

## M

Manual trigger, simulation with  
   command, 2-221  
 Manuals, vii  
 Math command group, 2-22

Math commands

MATH?, 2-146  
 MATH:DEFINE, 2-147  
 MATH:FFT:HORIZONTAL:POSITION, 2-150  
 MATH:FFT:HORIZONTAL:SCALE, 2-151  
 MATH:FFT:VERTICAL:POSITION, 2-152  
 MATH:FFT:VERTICAL:SCALE, 2-153  
 MATH:VERTICAL?, 2-150, 2-154  
 MATH:VERTICAL:POSITION, 2-154  
 MATH:VERTICAL:SCALE, 2-155  
 MATH?, 2-146  
 MATH:DEFINE, 2-147  
 MATH:FFT:HORIZONTAL:POSITION, 2-150  
 MATH:FFT:HORIZONTAL:SCALE, 2-151  
 MATH:FFT:VERTICAL:POSITION, 2-152  
 MATH:FFT:VERTICAL:SCALE, 2-153  
 MATH:VERTICAL?, 2-150, 2-154  
 MATH:VERTICAL:POSITION, 2-154  
 MATH:VERTICAL:SCALE, 2-155  
 MEAS<x>, command mnemonic, 2-10  
 Measurement command group, 2-23  
 Measurement commands  
 MEASUREMENT?, 2-155  
 MEASUREMENT:IMMED?, 2-156

MEASUREMENT:IMMED:SOURCE1, 2-157  
 MEASUREMENT:IMMED:TYPE, 2-158  
 MEASUREMENT:IMMED:UNITS?, 2-161  
 MEASUREMENT:IMMED:VALUE?, 2-162  
 MEASUREMENT:MEAS<x>?, 2-163  
 MEASUREMENT:MEAS<x>:TYPE, 2-164  
 MEASUREMENT:MEAS<x>:UNITS?, 2-167  
 MEASUREMENT:MEAS<x>:VALUE?, 2-168  
 MEASUREMENT:MEAS<x>:SOURCE, 2-164  
 Measurement specifier, command mnemonic, 2-10  
 MEASUREMENT?, 2-155  
 MEASUREMENT:IMMED?, 2-156  
 MEASUREMENT:IMMED:SOURCE1, 2-157  
 MEASUREMENT:IMMED:TYPE, 2-158  
 MEASUREMENT:IMMED:UNITS?, 2-161  
 MEASUREMENT:IMMED:VALUE?, 2-162  
 MEASUREMENT:MEAS<x>?, 2-163  
 MEASUREMENT:MEAS<x>:TYPE, 2-164  
 MEASUREMENT:MEAS<x>:UNITS?, 2-167  
 MEASUREMENT:MEAS<x>:VALUE?, 2-168  
 MEASUREMENT:MEAS<x>:SOURCE, 2-164

Message  
 command, 2-2  
 command terminator, 2-8  
 handling, 3-1  
 table of program messages, 3-17

Miscellaneous command group,  
 2-25

Miscellaneous commands

AUTORANGE?, 2-52  
 AUTORANGE:SETTINGS,  
 2-54  
 AUTORANGE:STATE, 2-53  
 AUTOSET, 2-55  
 AUTOSET:ENABLE, 2-55  
 AUTOSET:SIGNAL, 2-55  
 AUTOSET:VIEW, 2-56  
 \*DDT, 2-93  
 FACTORY, 2-107  
 HDR, 2-132  
 HEADER, 2-133  
 \*IDN?, 2-143  
 LANGUAGE, 2-145  
 LOCK, 2-145  
 \*LRN?, 2-146  
 REM, 2-184  
 SET, 2-197  
 TIME, 2-220  
 \*TRG, 2-221  
 UNLOCK, 2-240  
 VERBOSE, 2-241

Mnemonic, command, 2-3

## N

Numeric, command argument,  
 2-11

Numeric argument coercion, 2-11

## O

\*OPC, 2-169, 3-14

Operation complete command,  
 2-169

Operation complete wait, 2-242

Output queue, 3-6

## P

PictBridge command group, 2-27

PictBridge commands

PICTBRIDGE:DATEPRINT,  
 2-174  
 PICTBRIDGE:DEF, 2-171  
 PICTBRIDGE:IDPRINT, 2-175  
 PICTBRIDGE:IMAGESIZE,  
 2-172  
 PICTBRIDGE:PAPERSIZE,  
 2-171  
 PICTBRIDGE:PAPERTYPE,  
 2-173  
 PICTBRIDGE:PRINTQUAL,  
 2-174

PICTBRIDGE:DATEPRINT,  
 2-174

PICTBRIDGE:DEF, 2-171

PICTBRIDGE:IDPRINT, 2-175

PICTBRIDGE:IMAGESIZE,  
 2-172

PICTBRIDGE:PAPERSIZE, 2-171

PICTBRIDGE:PAPERTYPE,  
 2-173

PICTBRIDGE:PRINTQUAL,  
 2-174

Power and Battery Related com-  
 mand group, 2-28

Power and Battery-Related commands

POWER?, 2-176  
POWER:AC:PRESENT?, 2-176  
POWER:BATTERIES:TIME?, 2-178  
POWER:BATTERY<x>:GAS-GAUGE?, 2-177  
POWER:BATTERY<x>:STATUS?, 2-178  
POWER:BUTTONLIGHT, 2-179

Power Measurement command group, 2-28

Power Measurement commands

HARMONICS?, 2-123  
HARMONICS:ENABLE, 2-124  
HARMONICS:FREQUENCY?, 2-124  
HARMONICS:HRMS?, 2-125  
HARMONICS:PERCENT?, 2-126  
HARMONICS:PHASE?, 2-126  
HARMONICS:RMS?, 2-127  
HARMONICS:SAVE?, 2-127  
HARMONICS:SELECT, 2-128  
HARMONICS:SETUP?, 2-129  
HARMONICS:SHOW, 2-130  
HARMONICS:SOURCE, 2-131  
HARMONICS:THDF?, 2-131  
HARMONICS:THDR?, 2-132  
POWERANALYSIS:SOURCES, 2-180  
SWLOSS?, 2-200  
SWLOSS:ACQUIRE, 2-200  
SWLOSS:AVERAGE:CONDUCTION?, 2-201  
SWLOSS:AVERAGE:N?, 2-202  
SWLOSS:AVERAGE:TOTAL?, 2-203

SWLOSS:AVERAGE:TURN-OFF?, 2-203

SWLOSS:AVERAGE:TURNON?, 2-204

SWLOSS:ENABLE, 2-205

SWLOSS:LEVELS, 2-206

SWLOSS:LOG:CONDUCTION?, 2-206

SWLOSS:LOG:INDEX, 2-207

SWLOSS:LOG:TOTAL, 2-208

SWLOSS:LOG:TURNOFF?, 2-209

SWLOSS:LOG:TURNON?, 2-210

SWLOSS:SAVE, 2-211

SWLOSS:SOURCES, 2-211

SWLOSS:STOPAFTER, 2-212

SWLOSS:TOFFEND, 2-213

SWLOSS:TOFFSTART, 2-215

SWLOSS:TONEND, 2-214

SWLOSS:TONSTART?, 2-215

SWLOSS:UNITS, 2-216

SWLOSS:VALUE:CONDUCTION?, 2-217

SWLOSS:VALUE:TOTAL?, 2-218

SWLOSS:VALUE:TURNOFF?, 2-218

SWLOSS:VALUE:TURNON?, 2-219

SWLOSS:VSAT, 2-220

POWER?, 2-176

POWER:AC:PRESENT?, 2-176

POWER:BATTERIES:TIME?, 2-178

POWER:BATTERY<x>:GAS-GAUGE?, 2-177

POWER:BATTERY<x>:STATUS?, 2-178

POWER:BUTTONLIGHT, 2-179

Power-on status clear command,  
2-181  
POWERANALYSIS:SOURCES,  
2-180  
Preamble, waveform, 2-43  
Programming, examples, 4-1  
Programming examples, 4-1  
\*PSC, 2-181  
\*PSC command, 3-6

## Q

Query, header in query response,  
2-133, 2-241  
Query command, 2-2  
definition, 2-4  
Queue  
event, 3-7  
event handling sequence, 3-8  
output, 3-6  
Quoted string, command argument,  
2-12  
Quoted string examples, 2-13  
Quoted string rules, 2-12

## R

\*RCL, 2-182  
Recall setting command, 2-182  
RECALL:SETUP, 2-182  
RECALL:WAVEFORM, 2-183  
REF<x>, command mnemonic,  
2-9  
Reference waveform, command  
mnemonic, 2-9  
Register  
DESER, 2-94, 2-181, 3-4  
ESER, 2-103, 2-181, 3-5  
SBR, 2-199, 3-3  
SESR, 2-71, 2-104, 2-169, 3-2

SRER, 2-181, 2-198, 3-5  
REM, 2-184  
Reset  
command, 2-190  
to factory settings, 2-107  
RS-232 command group, 2-32  
RS232 commands  
RS232?, 2-185  
RS232:BAUD, 2-185  
RS232:HARDFLAGGING,  
2-186  
RS232:PARITY, 2-187  
RS232:SOFTFLAGGING, 2-188  
RS232:TRANSMIT:TERMINA-  
TOR, 2-189  
RS232?, 2-185  
RS232:TRANSMIT:TERMINA-  
TOR, 2-189  
RS232:BAUD, 2-185  
RS232:HARDFLAGGING, 2-186  
RS232:PARITY, 2-187  
RS232:SOFTFLAGGING, 2-188  
\*RST, 2-190  
Rules, command entry, 2-6  
Rules, quoted strings, 2-12

## S

\*SAV, 2-191  
Save and recall command group,  
2-32  
Save and recall commands  
\*RCL, 2-182  
RECALL:SETUP, 2-182  
\*SAV, 2-191  
SAVE:IMAGE, 2-192  
SAVE:IMAGE:FILEFORMAT,  
2-193  
SAVE:SETUP, 2-194  
SAVE:WAVEFORM, 2-195

- Save setting command, 2-191
- SAVE:IMAGE, 2-192
- SAVE:IMAGE:FILEFORMAT, 2-193
- SAVE:SETUP, 2-194
- SAVE:WAVEFORM, 2-195
- SBR register, 2-199, 3-3
- SELECT?, 2-196
- SELECT:<wfm>, 2-197
- Self test, 2-240
- Separator, command, 2-3
- Serial poll, 3-3
- Service request enable command, 2-198
- Service request enable register, 2-198
- SESR register, 2-71, 2-104, 2-169, 3-2
- Set command, 2-2
- SET?, 2-197
- Setting
  - command query, 2-146
  - query, 2-146
  - recall command, 2-182
  - save command, 2-191
- Setups, factory
  - TDS1000, B-5
  - TDS1000B, B-1
  - TDS2000, B-5
  - TDS2000B, B-1
  - TDS210, B-6
  - TDS220, B-6
  - TDS224, B-8
  - TPS2000, B-3
- \*SRE command, 2-198, 3-5
- SRER register, 2-181, 2-198, 3-5
- Status, 3-1
- Status and error command group, 2-33
- Status and error commands
  - \*RST, 2-190
  - ALLEV?, 2-51
  - BUSY?, 2-57
  - \*CLS, 2-71
  - DESE, 2-94, 3-5
  - \*ESE, 2-103, 3-5
  - \*ESR?, 2-104, 3-2
  - EVENT?, 2-105
  - EVMSG?, 2-105
  - EVQTY?, 2-106
  - ID?, 2-141
  - \*OPC, 2-169
  - \*PSC, 2-181, 3-6
  - \*SRE, 2-198, 3-5
  - \*STB?, 2-199, 3-3
  - \*TST?, 2-240
  - \*WAI, 2-242
  - \*STB?, 2-199
  - \*STB? query, 3-3
  - SWLOSS?, 2-200
  - SWLOSS:ACQUIRE, 2-200
  - SWLOSS:AVERAGE:CONDUCTION?, 2-201
  - SWLOSS:AVERAGE:N?, 2-202
  - SWLOSS:AVERAGE:TOTAL?, 2-203
  - SWLOSS:AVERAGE:TURNOFF?, 2-203
  - SWLOSS:AVERAGE:TURNON?, 2-204
  - SWLOSS:ENABLE, 2-205
  - SWLOSS:LEVELS, 2-206
  - SWLOSS:LOG:CONDUCTION?, 2-206
  - SWLOSS:LOG:INDEX, 2-207
  - SWLOSS:LOG:TOTAL, 2-208
  - SWLOSS:LOG:TURNOFF?, 2-209
  - SWLOSS:LOG:TURNON?, 2-210
  - SWLOSS:SAVE, 2-211
  - SWLOSS:SOURCES, 2-211
  - SWLOSS:STOPAFTER, 2-212

SWLOSS:TOFFEND, 2-213  
 SWLOSS:TOFFSTART, 2-215  
 SWLOSS:TONEND, 2-214  
 SWLOSS:TONSTART?, 2-215  
 SWLOSS:UNITS, 2-216  
 SWLOSS:VALUE:CONDUCTION?, 2-217  
 SWLOSS:VALUE:TOTAL?, 2-218  
 SWLOSS:VALUE:TURNOFF?, 2-218  
 SWLOSS:VALUE:TURNON?, 2-219  
 SWLOSS:VSAT, 2-220  
 Synchronizing commands, 3-10  
 Syntax  
   BNF (Backus Naur form), 2-2  
   command, 2-1

## T

Table, programming message, 3-17  
 TDS1001 model, xi  
 TDS2004 model, xi  
 TDS2CM communications module,  
   see TDS2CMA, xi  
 TDS2CMA communications module,  
   where to find installation  
   information, 1-1  
 TDS2MEM-related commands  
   DATE, 2-93  
   FILESYSYEM?, 2-108  
   FILESYSYEM:CWD, 2-109  
   FILESYSYEM:DELETE, 2-110  
   FILESYSYEM:DIR?, 2-110  
   FILESYSYEM:FORMAT, 2-111  
   FILESYSYEM:FREESPACE?,  
     2-112  
   FILESYSYEM:MKDIR, 2-113  
   FILESYSYEM:RMDIR, 2-115  
   HARDCOPY:BUTTON, 2-117

RECALL:SETUP, 2-182  
 RECALL:WAVEFORM, 2-183  
 SAVE:IMAGE, 2-192  
 SAVE:IMAGE:FILEFORMAT,  
   2-193  
 SAVE:SETUP, 2-194  
 SAVE:WAVEFORM, 2-195  
 TIME, 2-220  
 TDS2MEM-specific commands,  
   FILESYSYEM:RENAME,  
   2-114  
 TDS2MM measurement module,  
   where to find installation infor-  
   mation, 1-1  
 TDS2MM-related commands  
   CH<x>:INVERT, 2-66  
   MATH:DEFINE, 2-147  
   MATH:FFT:HORIZON-  
     TAL:POSITION, 2-150  
   MATH:FFT:HORIZON-  
     TAL:SCALE, 2-151  
   MATH:FFT:VERTICAL:POSI-  
     TION, 2-152  
   MATH:FFT:VERTICAL:SCALE,  
     2-153  
   MATHVERTICAL?, 2-150,  
     2-154  
   MEA-  
     SUREMENT:IMMED:TYPE,  
     2-158  
   MEA-  
     SUREMENT:MEAS<X>:TY-  
     PE, 2-164  
   WFMPRE:<wfm>:YOFF, 2-263  
   WFMPRE:WFID?, 2-251  
   WFMPRE:XINCR, 2-252  
   WFMPRE:XZERO, 2-254  
   WFMPRE:YMULT, 2-255  
   WFMPRE:YOFF, 2-256  
   WFMPRE:YUNIT, 2-257

- WFMPRE:YZERO, 2-258
- Tek Std. Codes and Formats 1989,
  - 2-25, 2-33
- Terminator, command message,
  - 2-8
- TIME, 2-220
- Time base, manual trigger simulation, 2-221
- Transferring data
  - from the oscilloscope, 2-43
  - to the oscilloscope, 2-44
- \*TRG, 2-221
- TRIGGER, 2-221
- Trigger command group, 2-34
- Trigger commands
  - TRIGGER, 2-221
  - TRIGGER:MAIN, 2-222
  - TRIGGER:MAIN:EDGE?,
    - 2-223
  - TRIGGER:MAIN:EDGE:COUPLING, 2-223
  - TRIGGER:MAIN:EDGE:SLOPE, 2-224
  - TRIGGER:MAIN:EDGE:SOURCE, 2-225
  - TRIGGER:MAIN:EDGE:SOURCE, 2-225
  - TRIGGER:MAIN:FREQUENCY?, 2-226
  - TRIGGER:MAIN:HOLDOFF?,
    - 2-227
  - TRIGGER:MAIN:HOLD-OFF:VALUE, 2-227
  - TRIGGER:MAIN:LEVEL,
    - 2-228
  - TRIGGER:MAIN:MODE, 2-228
  - TRIGGER:MAIN:PULSE,
    - WIDTH, 2-229
    - WIDTH, 2-231
  - TRIGGER:MAIN:PULSE:SOURCE, 2-230
  - TRIGGER:MAIN:PULSE:WIDTH POLARITY, 2-231
  - TRIGGER:MAIN:PULSE:WHEN, 2-232
  - TRIGGER:MAIN:PULSE:WIDTH, 2-233
  - TRIGGER:MAIN:TYPE, 2-233
  - TRIGGER:MAIN:VIDEO:FIELD,
    - 2-234
  - WHEN, 2-232
  - WIDTH, 2-233
- TRIGGER:MAIN:TYPE, 2-233
- TRIGGER:MAIN:VIDEO:FIELD,
  - 2-234
- TRIGGER:MAIN:VIDEO:LINE,
  - 2-235
- TRIGGER:MAIN:VIDEO:POLARITY, 2-235
- TRIGGER:MAIN:VIDEO:SOURCE, 2-236, 2-238
- TRIGGER:MAIN:VIDEO:STANDARD, 2-237
- TRIGGER:STATE?, 2-239
- TRIGGER:MAIN, 2-222
- TRIGGER:MAIN:EDGE?, 2-223
- TRIGGER:MAIN:EDGE:COUPLING, 2-223
- TRIGGER:MAIN:EDGE:SLOPE, 2-224
- TRIGGER:MAIN:EDGE:SOURCE, 2-225
- TRIGGER:MAIN:FREQUENCY?, 2-226
- TRIGGER:MAIN:HOLDOFF?, 2-227
- TRIGGER:MAIN:HOLD-OFF:VALUE, 2-227
- TRIGGER:MAIN:LEVEL, 2-228
- TRIGGER:MAIN:MODE, 2-228
- TRIGGER:MAIN:PULSE,
  - WIDTH, 2-229
  - WIDTH, 2-231
- TRIGGER:MAIN:PULSE:SOURCE, 2-230
- TRIGGER:MAIN:PULSE:WIDTH POLARITY, 2-231
- TRIGGER:MAIN:PULSE:WHEN, 2-232
- TRIGGER:MAIN:PULSE:WIDTH, 2-233
- TRIGGER:MAIN:TYPE, 2-233
- TRIGGER:MAIN:VIDEO:FIELD,
  - 2-234



TRIGGER:MAIN:VIDEO:LINE ,  
2-235  
TRIGGER:MAIN:VIDEO:POLARITY, 2-235  
TRIGGER:MAIN:VIDEO:SOURCE, 2-236, 2-238  
TRIGGER:MAIN:VIDEO:STANDARD , 2-237  
TRIGGER:STATE?, 2-239  
\*TST? query, 2-240

## U

UNLOCK, 2-240

## V

VERBOSE, 2-241  
Vertical bar cursors, 2-78, 2-80  
Vertical command group, 2-36  
Vertical commands  
CH<x>?, 2-62  
CH<x>:BANDWIDTH, 2-63  
CH<x>:COUPLING, 2-64  
CH<x>:CURRENTPROBE, 2-65  
CH<x>:INVERT, 2-66  
CH<x>:POSITION, 2-67  
CH<x>:PROBE, 2-68  
CH<x>:SCALE, 2-69  
CH<x>:VOLTS, 2-70  
CH<x>:YUNIT, 2-71  
SELECT?, 2-196  
SELECT:<wfm>, 2-197

## W

\*WAI, 2-242, 3-11  
Wait for operation complete, 2-242

Waveform, command mnemonic, 2-10  
Waveform command group, 2-37  
Waveform commands  
CURVE, 2-84  
DATA, 2-85  
DATA:DESTINATION, 2-86  
DATA:ENCDG, 2-87  
DATA:SOURCE, 2-89  
DATA:START, 2-90  
DATA:STOP, 2-91  
DATA:TARGET, 2-92  
DATA:WIDTH, 2-92  
WAVEFORMANALYSIS:SOURCE, 2-242  
WAVFRM?, 2-243  
WFMPRE?, 2-244  
WFMPRE:<wfm>?, 2-260, 2-263  
WFMPRE:<wfm>:NR\_PT?, 2-261  
WFMPRE:<wfm>:PT\_FMT, 2-261  
WFMPRE:<wfm>:PT\_OFF, 2-261, 2-262  
WFMPRE:<wfm>:WFLD?, 2-262  
WFMPRE:<wfm>:XINCR, 2-262  
WFMPRE:<wfm>:XUNIT, 2-262  
WFMPRE:<wfm>:XZERO, 2-262  
WFMPRE:<wfm>:YMULT, 2-262  
WFMPRE:<wfm>:YOFF, 2-263  
WFMPRE:<wfm>:YZERO, 2-263  
WFMPRE:BIT\_NR, 2-244  
WFMPRE:BN\_FMT, 2-245

- WFMPRE:BYT\_NR, 2-246
- WFMPRE:BYT\_OR, 2-247
- WFMPRE:ENCDG, 2-247
- WFMPRE:NR\_PT?, 2-248
- WFMPRE:PT\_FMT, 2-249
- WFMPRE:PT\_OFF, 2-251
- WFMPRE:WFID, 2-251
- WFMPRE:XINCR, 2-252
- WFMPRE:XMULT, 2-259
- WFMPRE:XOFF, 2-259
- WFMPRE:XUNIT, 2-253
- WFMPRE:XZERO, 2-254
- WFMPRE:YMULT, 2-255
- WFMPRE:YOFF, 2-256
- WFMPRE:YUNIT, 2-257
- WFMPRE:YZERO, 2-258
- WFMPRE:ZMULT, 2-259
- WFMPRE:ZOFF, 2-259
- WFMPRE:ZUNIT, 2-260
- Waveform preamble, 2-43
- WAVEFORMANALY-
  - SIS:SOURCE, 2-242
- WAVFRM?, 2-243
- <wfm>, command mnemonic,
  - 2-10
- WFMPRE?, 2-244
- WFMPRE:<wfm>?, 2-260, 2-263
- WFMPRE:<wfm>:NR\_PT?, 2-261
- WFMPRE:<wfm>:PT\_FMT, 2-261
- WFMPRE:<wfm>:PT\_OFF,
  - 2-261, 2-262
- WFMPRE:<wfm>:WFLD?, 2-262
- WFMPRE:<wfm>:XINCR, 2-262
- WFMPRE:<wfm>:XUNIT, 2-262
- WFMPRE:<wfm>:XZERO, 2-262
- WFMPRE:<wfm>:YMULT, 2-262
- WFMPRE:<wfm>:YOFF, 2-263
- WFMPRE:<wfm>:YZERO, 2-263
- WFMPRE:BIT\_NR, 2-244
- WFMPRE:BN\_FMT, 2-245
- WFMPRE:BYT\_NR, 2-246
- WFMPRE:BYT\_OR, 2-247
- WFMPRE:ENCDG, 2-247
- WFMPRE:NR\_PT?, 2-248
- WFMPRE:PT\_FMT, 2-249
- WFMPRE:PT\_OFF, 2-251
- WFMPRE:WFID, 2-251
- WFMPRE:XINCR, 2-252
- WFMPRE:XMULT, 2-259
- WFMPRE:XOFF, 2-259
- WFMPRE:XUNIT, 2-253
- WFMPRE:XZERO, 2-254
- WFMPRE:YMULT, 2-255
- WFMPRE:YOFF, 2-256
- WFMPRE:YUNIT, 2-257
- WFMPRE:YZERO, 2-258
- WFMPRE:ZMULT, 2-259
- WFMPRE:ZOFF, 2-259
- WFMPRE:ZUNIT, 2-260