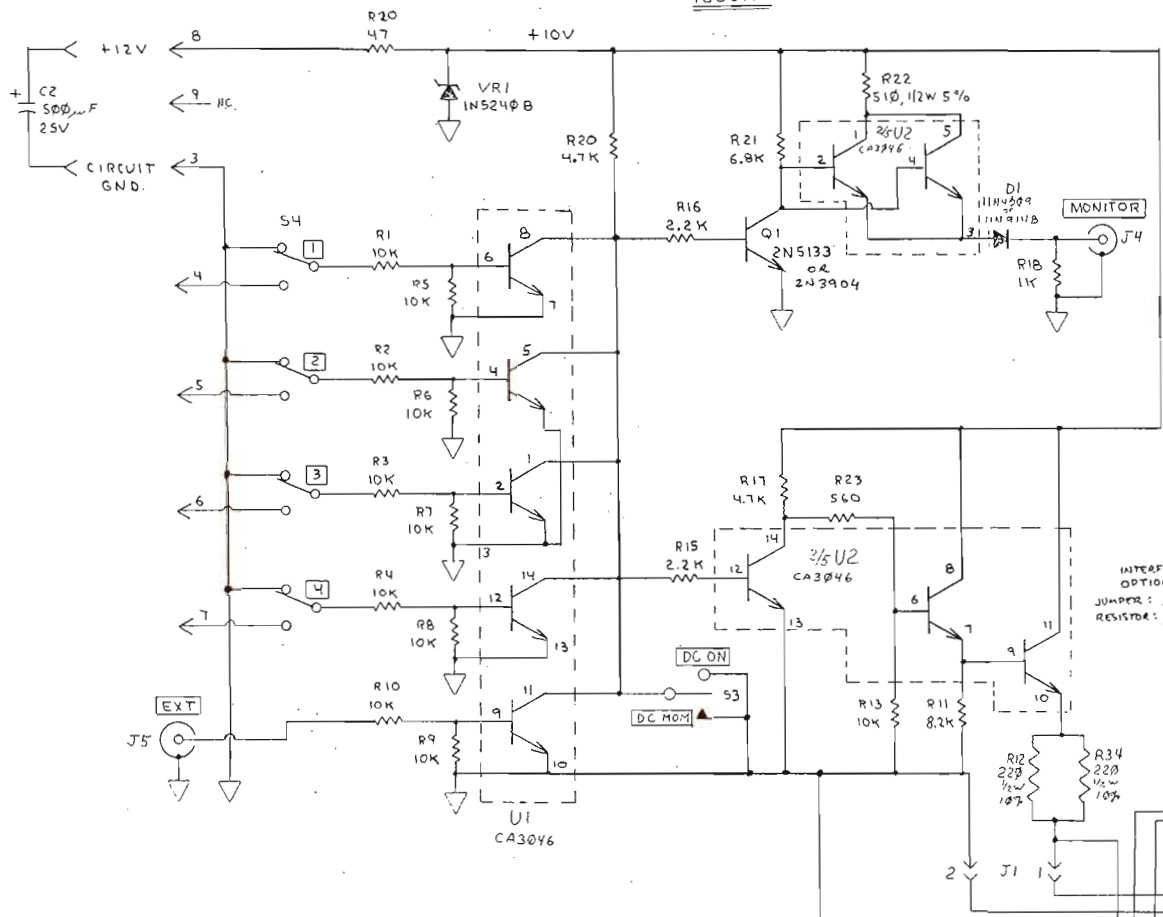


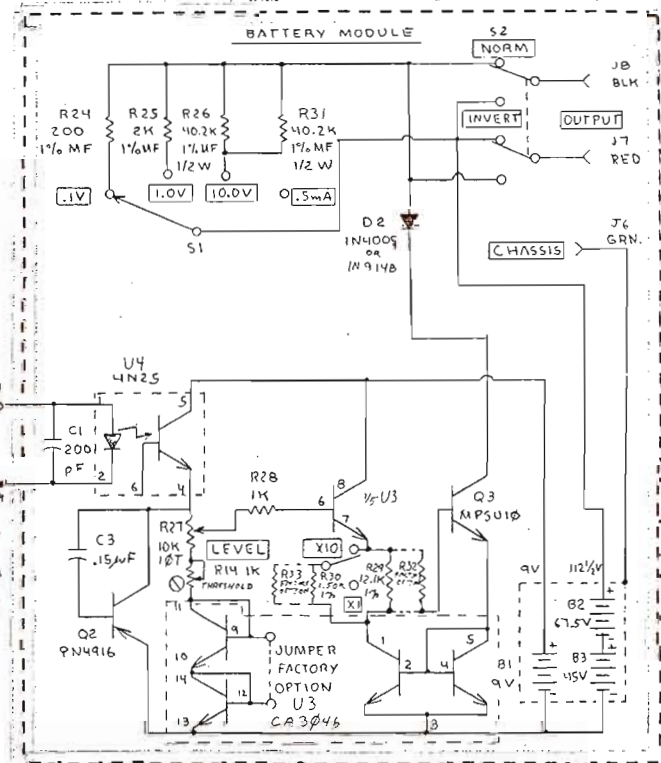
DATE	BY	REVISION	RECORD	APP'D	OR	OK
1-48	A	S3 WAS 2N3114	BTM			
4-75	B	Q3 WAS 2N3114				
3-80		Change Q2 To PN4916				
		was 2N4916				
3/1/71	C	ECN No. 95				
10/15/71	D	ECN 289				

WARNING: This print is the property of W.P.I., Inc. It is strictly confidential and if loaned, it is with the understanding that neither it nor any information contained therein will be copied, published, or transmitted to others.

1850A



850A/A350D



- NOTES:
1. ALL RESISTORS ARE OHMS, 1/4W, 5%, EXCEPT AS NOTED.
 2. [] INDICATES PANEL MARKINGS.

INTERFACE OPTIONS:
JUMPER: 850A
RESISTOR: A350D

CONNECTION OPTIONS:
A350D

TOLERANCES UNLESS T.A.S. NOTED	W-P INSTRUMENTS, INC.		
SCALE	DRAWN BY C.F.G.		APPROVED BY
FUNCTIONAL	850A/A350D SIMILAR TO 1850A DRIVER AND		
#	1850A DRIVER SCHEMATIC		
DATE	DRAWING NUMBER		
9-18-73	C3127D		

930-576