

SteREO Discovery
Stereomicroscope
Operating Manual



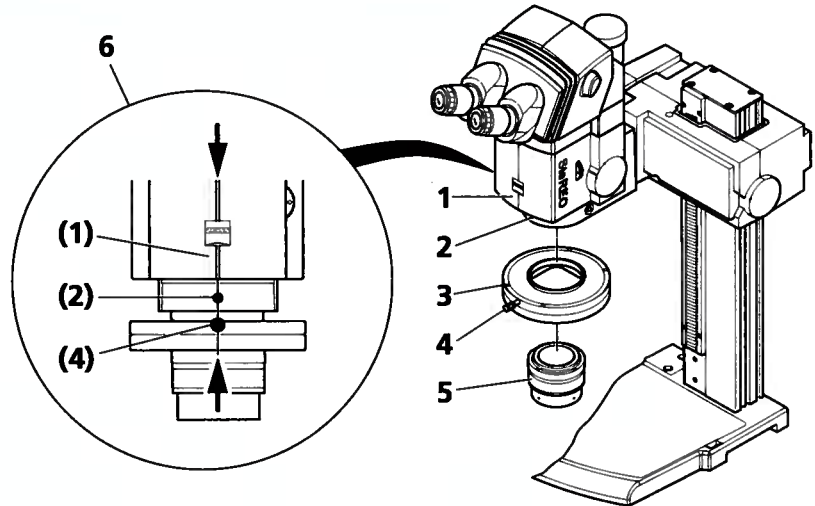
For your safety

Observe the following notes:

- Use the objective slider only on the properly installed SteREO Discovery.V12 stereomicroscope. Refer to the detailed Operating Manual (B 46-0009). The slider is intended for use only in combination with Mount S (with 76 mm mounting dia.) (it is not functional on objective nosepiece S, 3x).
- The manufacturer is not liable for any non-intended use.
- Always hold the objective with both hands to ensure safe removal and installation. When installing the objective, attach its lens-protective cap!
- After the installation of the objective slider, the lower limit switch on the motorized focusing drive must be readjusted. For this, refer to the detailed Operating Manual (B 46-0009).

Installation

- Move the focusing drive up until there is a clear space of approx. 20 cm.
- Unscrew objective (5) from microscope body (1).
- Fasten clamp screw (4) on objective slider hand-tight.
- Seize objective slider (3) with both hands and screw it into the microscope body (1) as far as it will go.
- Screw the objective (5) into the objective slider (3) as far as it will go. Remove the lens-protective cap again.
- Loosen the clamp screws (2 and 4).
- Align (6) the clamp screw (4) of the objective slider and the housing joint of the microscope body (1) to clamp screw (2).
- Fasten the clamp screws (2 and 4) hand-tight.



Operation

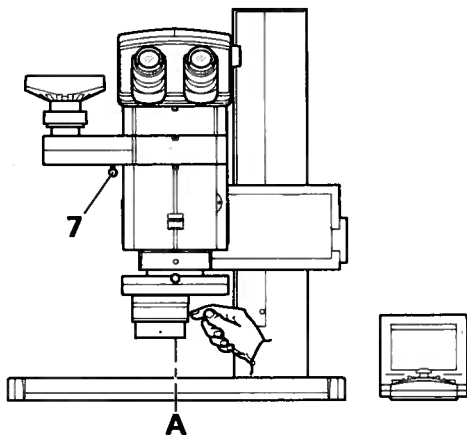
The objective slider allows the objective to be positioned in the following three click stops:

← LEFT

Vertical and monocular imaging of a specimen place 12 mm to the left of (A) using the left optical path.

Documentation with intermediate phototube

- To direct the image to the camera port, push sliding button (7) to the front stop.
- Carefully move the objective to the left stop of the objective slider.



Minimum equipment required for z-image stacks in incident light and for extended depth of focus:

Motorized focusing drive, incident-light ring illuminator, AxioCam, SYCOP and PC incl. AxioVision 4 software

MIDDLE

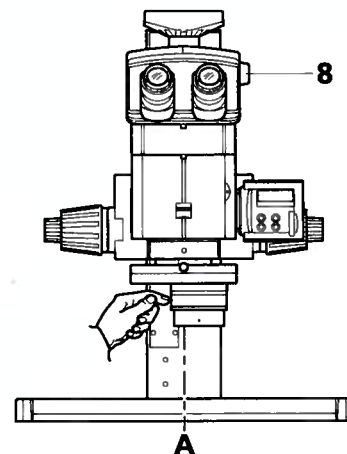
Stereoscopy of specimen place (A)

RIGHT →

Vertical and monocular imaging of a specimen place 12 mm to the right of (A) using the right optical path.

Documentation with ergo phototube

- To direct the image to the camera port, swing lever (8) to the back position.
- Carefully move the objective to the right stop of the objective slider.



Minimum equipment required for measuring specimen contours in transmitted-light bright field:

Coarse/fine drive, VisiLED transillumination, MC 750, stage micrometer, AxioCam MR and PC incl. AxioVision 4 software