

FEATURES

- 2048 by 2048 pixel format
- 13.5 mm square pixels
- Image area 27.6 x 27.6 mm
- Back Illuminated format for high quantum efficiency
- Full-frame operation
- Symmetrical anti-static gate protection
- Very low noise output amplifiers
- Dual responsivity output amplifiers
- Wide dynamic range for 15-bit operation
- Gated dump drain on output register
- 100% active area
- New compact footprint package

APPLICATIONS

- Scientific Imaging
- Microscopy
- Medical Imaging

INTRODUCTION

This version of the CCD42 family of CCD sensors has full-frame architecture. Back illumination technology, in combination with extremely low noise amplifiers, makes the device well suited to the most demanding applications requiring a high dynamic range. To improve the sensitivity further, the CCD is manufactured without anti-blooming structures. The CCD is available with either standard or deep depleted silicon.

There are two low noise amplifiers in the read out register, one at each end. Charge can be made to transfer through either or both amplifiers by making the appropriate $R\phi$ connections. The readout register has a gate controlled dump drain to allow fast dumping of unwanted data.

The register is designed to accommodate four image pixels of charge and a summing well is provided capable of holding six image pixels of charge. The output amplifier has a feature to enable the responsivity to be reduced, allowing the reading of such large charge packets.

Other variants of the CCD42-40 available are front illuminated format and inverted mode. In common with all e2v technologies CCD Sensors, the front illuminated CCD42-40 can be supplied with a fibre-optic window or taper, or with a phosphor coating.

Designers are advised to consult e2v should they be considering using CCD sensors in abnormal environments or if they require customised packaging.

Whilst e2v technologies has taken care to ensure the accuracy of the information contained herein it accepts no responsibility for the consequences of any use thereof and also reserves the right to change the specification of goods without notice. e2v technologies accepts no liability beyond the set out in its standard conditions of sale in respect of infringement of third party patents arising from the use of tubes or other devices in accordance with information contained herein.

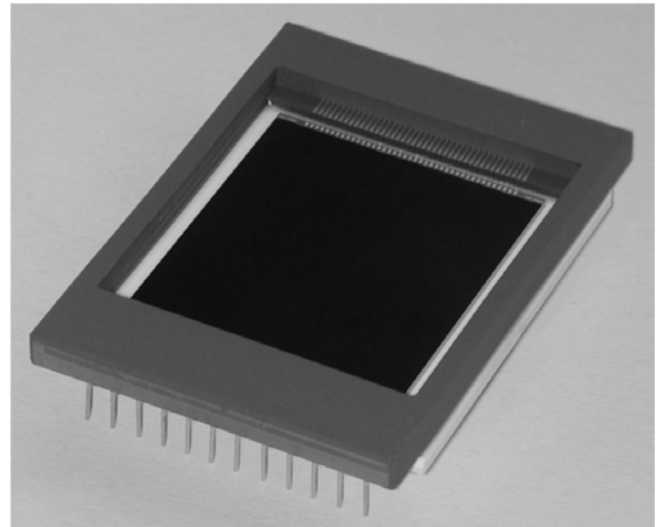
e2v technologies (uk) limited, Waterhouse Lane, Chelmsford, Essex CM1 2QU United Kingdom Holding Company: e2v technologies plc

Telephone: +44 (0)1245 493493 Facsimile: +44 (0)1245 492492

Contact e2v by e-mail: enquiries@e2v.com or visit www.e2v.com for global sales and operations centres.

© e2v technologies (uk) limited 2011

Template: DF764388A-5



TYPICAL PERFORMANCE

(Low noise mode)

Maximum readout frequency.....	3	MHz
Output amplifier responsivity.....	4.5	$\mu\text{V}/\text{e}^-$
Peak signal	150	ke^-/pixel
Dynamic range (at 20 kHz).....	$\approx 50,000:1$	
Spectral range.....	200 – 1060	nm
Readout noise (at 20 kHz)	3	$\text{e}^- \text{ rms}$

GENERAL DATA

Format

Image area.....	27.6 x 27.6	mm
Active pixels (H)	2048	
(V).....	2048 + 4	
Pixel size.....	13.5 x 13.5	mm
Number of output amplifiers	2	
Number of underscan (serial) pixels	50	
Fill factor	100%	

Package

Package size.....	37.0 x 51.7	mm
Number of pins.....	24	
Inter-pin spacing	2.54	mm
Inter-row spacing across sensor	45.72	mm
Window material	removable glass	
Package type	ceramic DIL array	

PERFORMANCE

	Min	Typical	Max	
Peak charge storage (see note 1)	100k	150k	-	e ⁻ /pixel
Peak output voltage (unbinned)	-	675	-	mV
Dark signal at 293 K (see notes 2 and 3)	-	20,000	45,000	e ⁻ /pixel/s
Dynamic range (see note 4)	-	50,000:1	-	
Charge transfer efficiency (see note 5):				
parallel	99.999	99.9999	-	%
serial	99.999	99.9993	-	%
Output amplifier responsivity:				
low noise mode (see note 3)	3.0	4.5	6.0	μV/e ⁻
high signal mode	-	1.5	-	μV/e ⁻
Readout noise at 243 K:				
low noise mode (see notes 3 and 6)	-	3.0	4.0	rms e ⁻ /pixel
high signal mode	-	6.0	-	rms e ⁻ /pixel
Maximum readout frequency (see note 7)	-	20	3000	kHz
Dark signal non-uniformity at 293 K (std. deviation) (see notes 3 and 8)	-	2000	4500	e ⁻ /pixel/s
Output node capacity (see note 9)	-	1,000,000	-	e ⁻

SPECTRAL RESPONSE AT 243 K

Standard Silicon

Wavelength (nm)	Minimum Response (QE) (see note 10)					Maximum Response Non-uniformity (1σ)	
	Enhanced Process UV Coated	Enhanced Process Broadband Coated	Basic Process Mid-band Coated	Basic Process Broadband Coated	Basic Process Uncoated		
300	45	-	-	-	-	-	%
350	45	50	15	25	10	5	%
400	55	80	40	55	25	3	%
500	60	80	85	75	55	3	%
650	60	75	85	75	50	3	%
900	30	30	30	30	30	5	%

Deep Depleted Silicon

Wavelength (nm)	Minimum Response (QE)		Maximum Response Non-uniformity (1σ)	
	Astronomy Process Broadband Coated	Basic Process NIR (ER1 900 nm) Coated		
300	-	-	-	%
350	40	-	5	%
400	70	25	-	%
500	75	45	-	%
650	70	75	3	%
900	40	45	5	%
1000	-	-	-	%

ELECTRICAL INTERFACE CHARACTERISTICS

Electrode Capacitances (Measured at mid-clock level)

	Min	Typical	Max	
IØ/IØ interphase	-	16	-	nF
IØ/SS	-	32	-	nF
RØ/RØ interphase	-	80	-	pF
RØ/(SS + DG + OD)	-	150	-	pF
Output impedance at typical operating conditions	-	350	-	Ω

NOTES

1. Signal level at which resolution begins to degrade.
2. Measured between 243 and 293 K typically. The typical average (background) dark signal at any temperature T (kelvin) between 230 K and 300 K may be estimated from:

$$Q_d/Q_{d0} = 122T^3 e^{-6400/T}$$
 where Q_{d0} is the dark signal at 293 K.
3. Test carried out at e2v technologies on all sensors.
4. Dynamic range is the ratio of full-well capacity to readout noise measured at 243 K and 20 kHz readout frequency.
5. CCD characterisation measurements made using charge generated by X-ray photons of known energy.
6. Measured using a dual-slope integrator technique (i.e. correlated double sampling) with a 20 μ s integration period.
7. Readout above 3 MHz can be achieved but performance to the parameters given cannot be guaranteed.
8. Measured between 243 and 293 K, excluding white defects.
9. With output circuit configured in low responsivity/high capacity mode (OG2 high).
10. The uncoated process is suitable for soft X-ray and EUV applications.

BLEMISH SPECIFICATION

Traps Pixels where charge is temporarily held. Traps are counted if they have a capacity greater than 200 e^- at 243 K.

Slipped columns Are counted if they have an amplitude greater than 200 e^- .

Black spots Are counted when they have a signal level of less than 80% of the local mean at a signal level of approximately half full-well.

White spots Are counted when they have a generation rate 25 times the specified maximum dark signal generation rate (measured between 243 and 293 K). The typical temperature dependence of white spot blemishes is the same as that of the average dark signal i.e.:

$$Q_d/Q_{d0} = 122T^3 e^{-6400/T}$$

Column defects A column which contains at least 50 white or 50 black defects.

Standard Silicon

GRADE	0	1	2
Column defects; black or white	0	3	6
Black spots	100	150	250
Traps >200 e^-	10	20	30
White spots	100	150	200

Deep Depleted Silicon

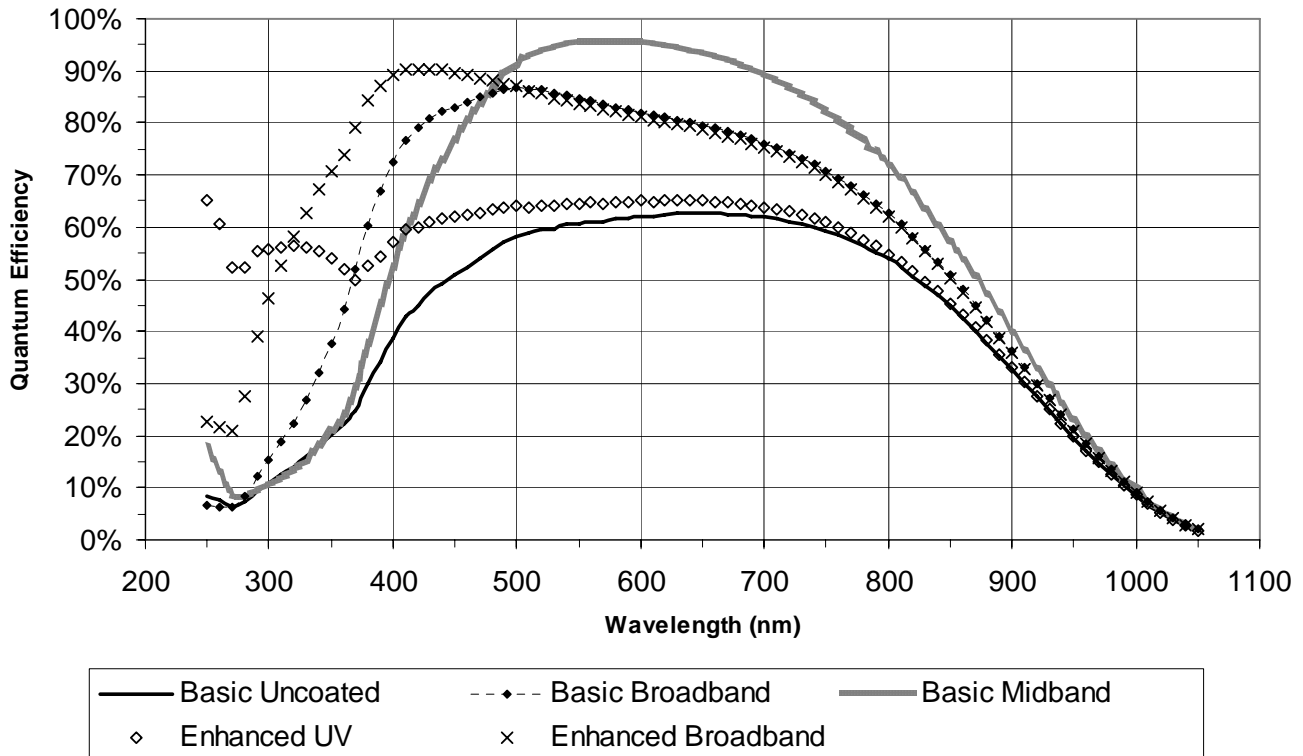
GRADE	0	1	2
Column defects; black or white	3	6	10
Black spots	250	500	1000
Traps >200 e^-	20	30	40
White spots	250	500	800

Grade 5 Devices which are fully functional, with image quality below that of grade 2, and which may not meet all other performance parameters.

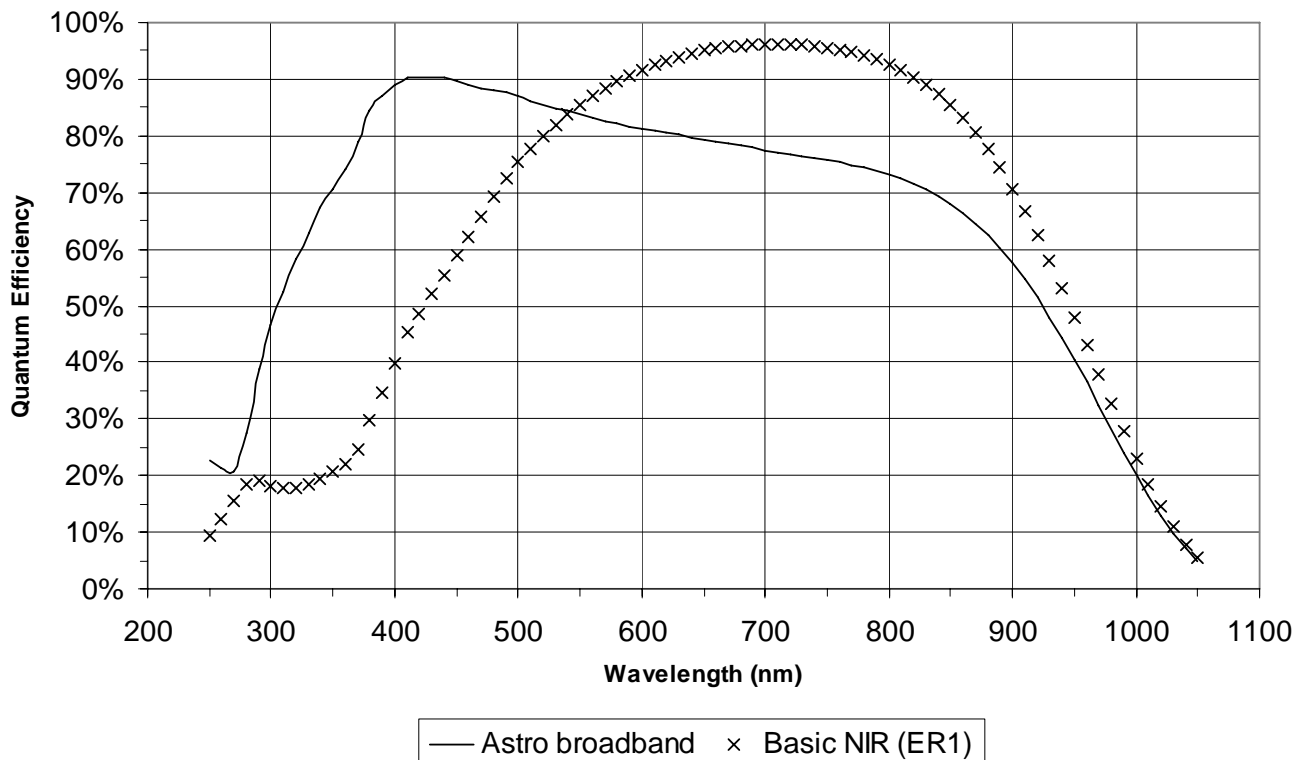
Note: The effect of temperature on defects is that traps will be observed less at higher temperatures but more may appear below 243 K. The amplitude of white spots and columns will decrease rapidly with temperature.

TYPICAL SPECTRAL RESPONSE (At -30 °C, no window)

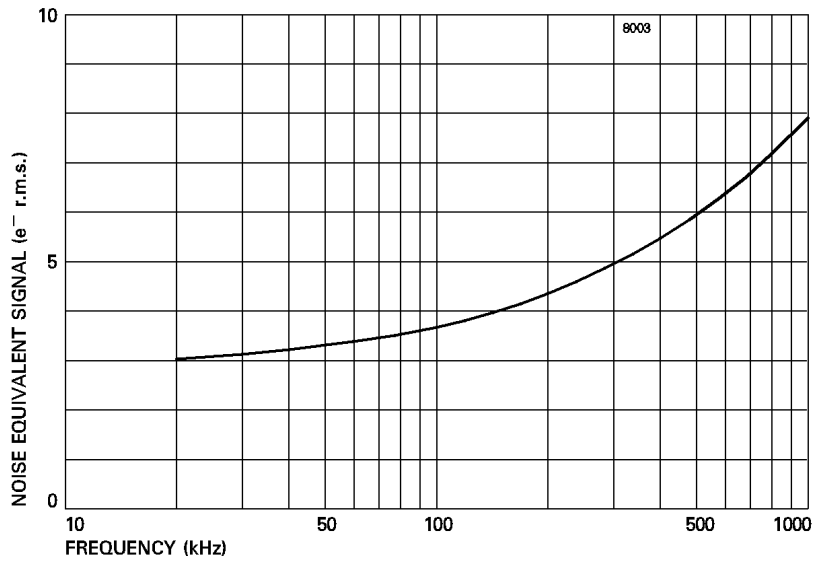
Standard Silicon



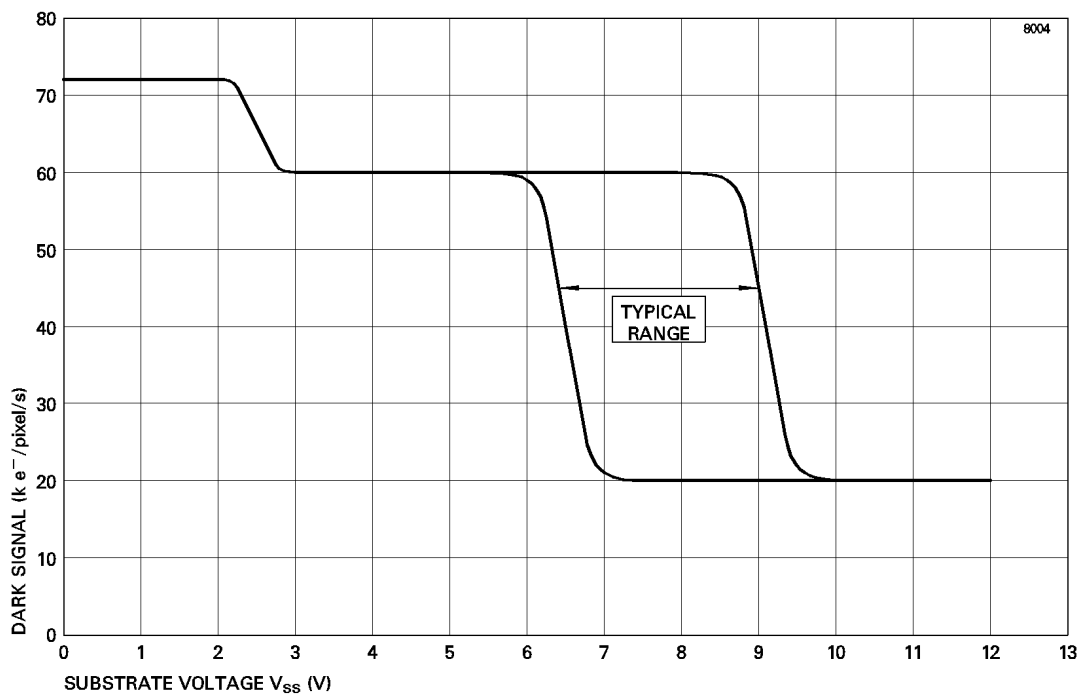
Deep Depleted Silicon



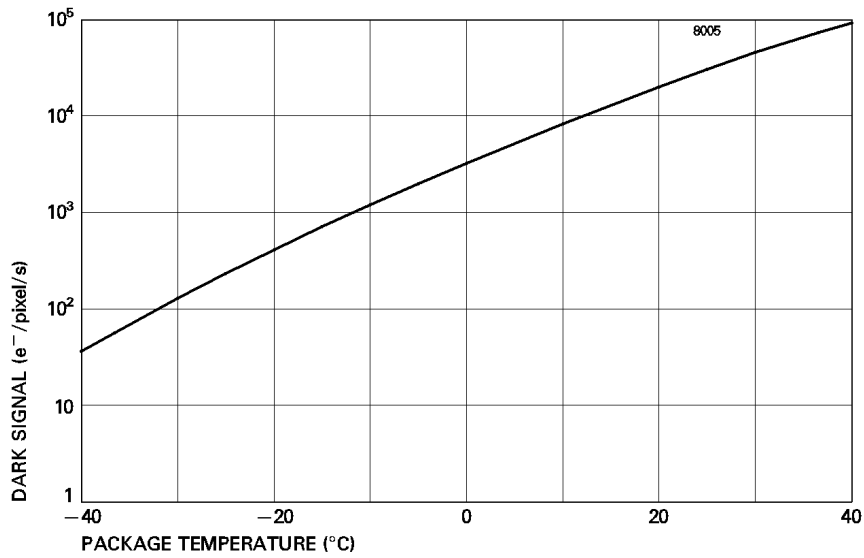
TYPICAL OUTPUT CIRCUIT NOISE (Measured using clamp and sample)



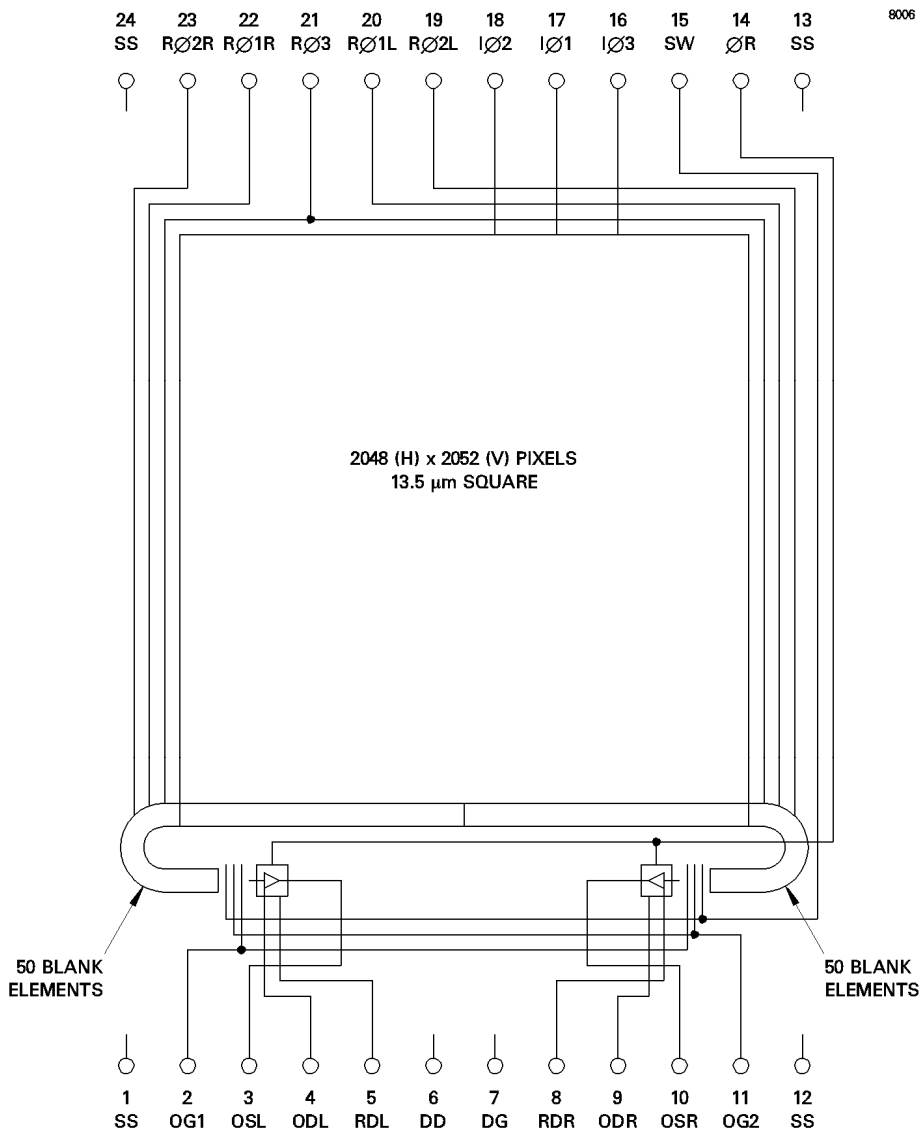
TYPICAL VARIATION OF DARK CURRENT WITH SUBSTRATE VOLTAGE



TYPICAL VARIATION OF DARK SIGNAL WITH TEMPERATURE



DEVICE SCHEMATIC



CONNECTIONS, TYPICAL VOLTAGES AND ABSOLUTE MAXIMUM RATINGS

PIN	REF	DESCRIPTION	CLOCK LOW Typical	CLOCK HIGH OR DC LEVEL (V)			MAXIMUM RATINGS with respect to V _{SS}
				Min	Typical	Max	
1	SS	Substrate (see note 11)	n/a	0	0	10	-
2	OG1	Output gate 1	n/a	2	3	4	±20 V
3	OSL	Output transistor source (left)	n/a	see note 12			-0.3 to +25 V
4	ODL	Output drain (left)	n/a	27	29	31	-0.3 to +25 V
5	RDL	Reset drain (left)	n/a	15	17	19	-0.3 to +25 V
6	DD	Dump drain	n/a	22	24	26	-0.3 to +25 V
7	DG	Dump gate (see note 13)	0	-	12	15	±20 V
8	RDR	Reset drain (right)	n/a	15	17	19	-0.3 to +25 V
9	ODR	Output drain (right)	n/a	27	29	31	-0.3 to +25 V
10	OSR	Output transistor source (right)	n/a	see note 12			-0.3 to +25 V
11	OG2	Output gate 2 (see note 14)	4	16	20	24	±20 V
12	SS	Substrate	n/a	0	9	10	-
13	SS	Substrate	n/a	0	9	10	-
14	ØR	Reset gate	0	8	12	15	±20 V
15	SW	Summing well		Clock as RØ3			±20 V
16	IØ3	Image area clock, phase 3	0	8	10	15	±20 V
17	IØ1	Image area clock, phase 1	0	8	10	15	±20 V
18	IØ2	Image area clock, phase 2	0	8	10	15	±20 V
19	RØ2L	Register clock phase 2 (left)	1	8	11	15	±20 V
20	RØ1L	Register clock phase 1 (left)	1	8	11	15	±20 V
21	RØ3	Register clock phase 3	1	8	11	15	±20 V
22	RØ1R	Register clock phase 1 (right)	1	8	11	15	±20 V
23	RØ2R	Register clock phase 2 (right)	1	8	11	15	±20 V
24	SS	Substrate	n/a	0	9	10	-

If all voltages are set to the typical values, operation at or close to specification should be obtained. Some adjustment within the range specified may be required to optimise performance. Refer to the specific device test data if possible.

Maximum voltages between pairs of pins:

pin 3 (OSL) to pin 4 (ODL) +15 V

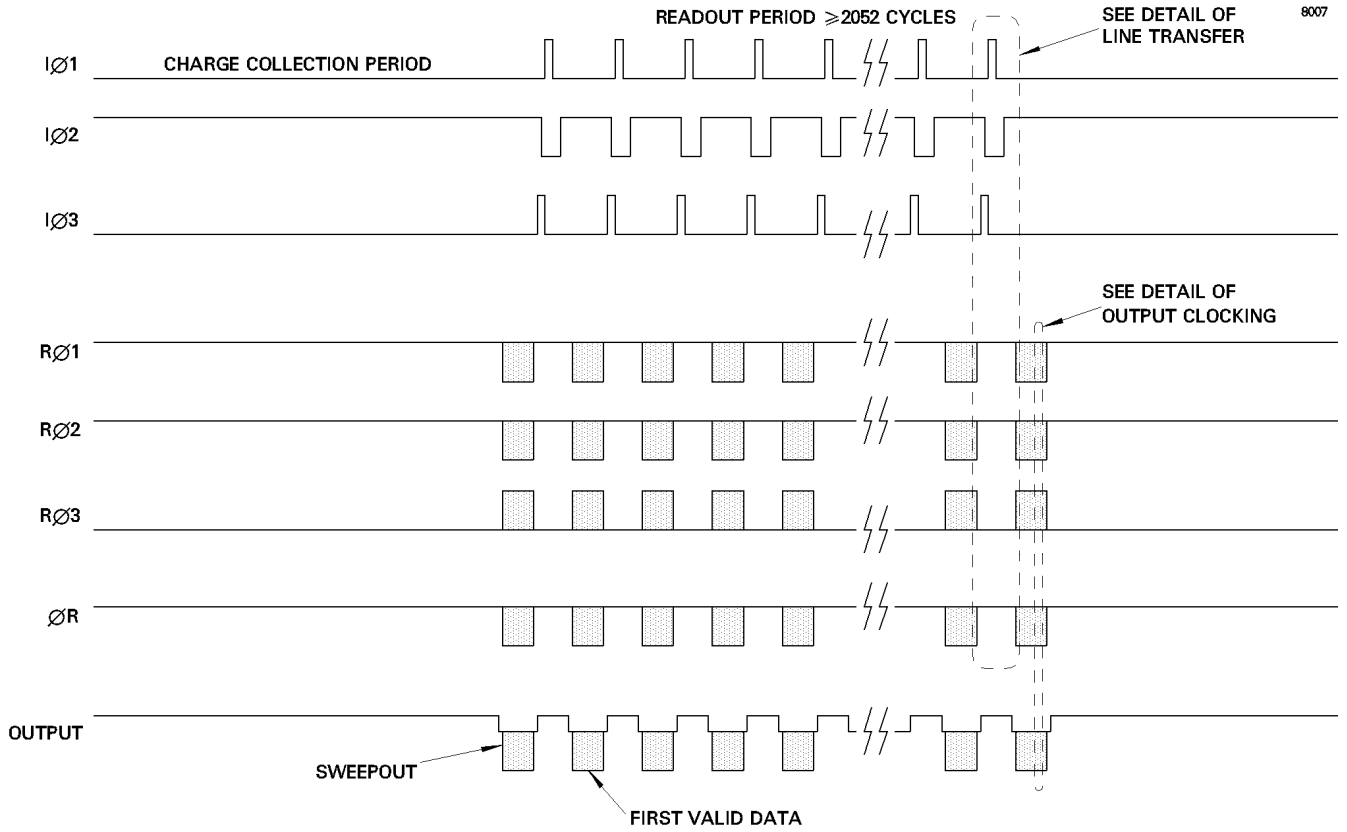
pin 9 (ODR) to pin 10 (OSR) +15 V

Maximum output transistor current 10 mA

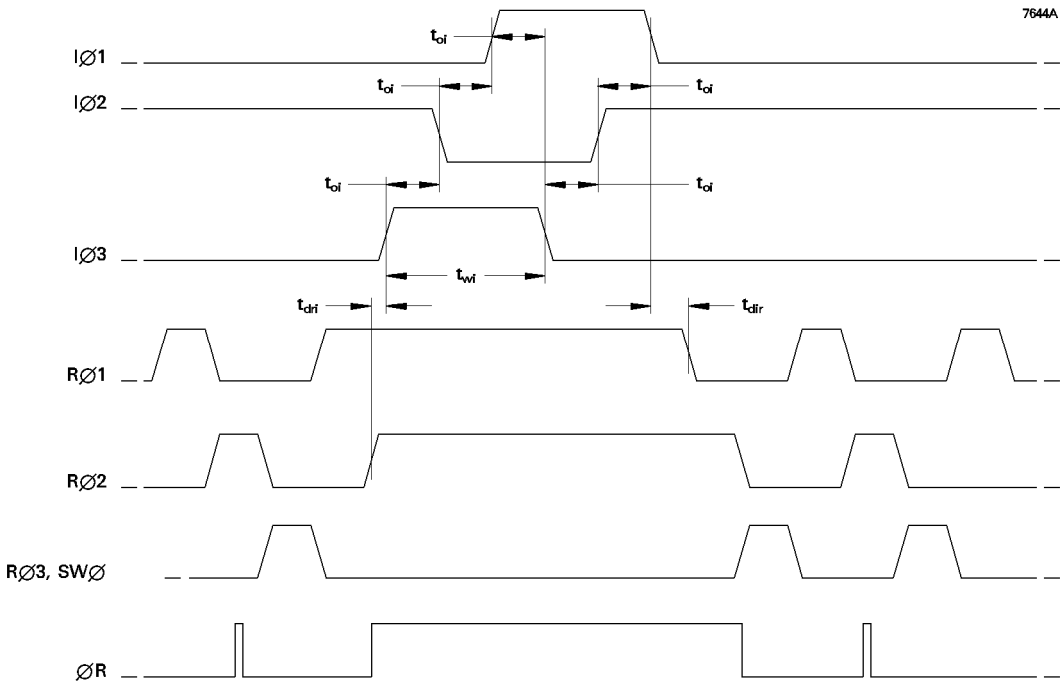
NOTES

11. Devices can be operated with a low substrate (0 V) or higher substrate (9 V). Low substrate is particularly recommended for deep depleted variance to ensure best estimate.
12. Not critical; OS = 3 to 5 V below OD typically. Connect to ground using a 3 to 5 mA current source or appropriate load resistor (typically 5 to 10 kΩ).
13. This gate is normally low. It should be pulsed high for charge dump.
14. OG2 = OG1 + 1 V for operation of the output in high responsivity, low noise mode. For operation at low responsivity, high signal, OG2 should be set high.
15. With the RØ connections shown, the device will operate through both outputs simultaneously. In order to operate from the left output only, RØ1(R) and RØ2(R) should be reversed.

FRAME READOUT TIMING DIAGRAM

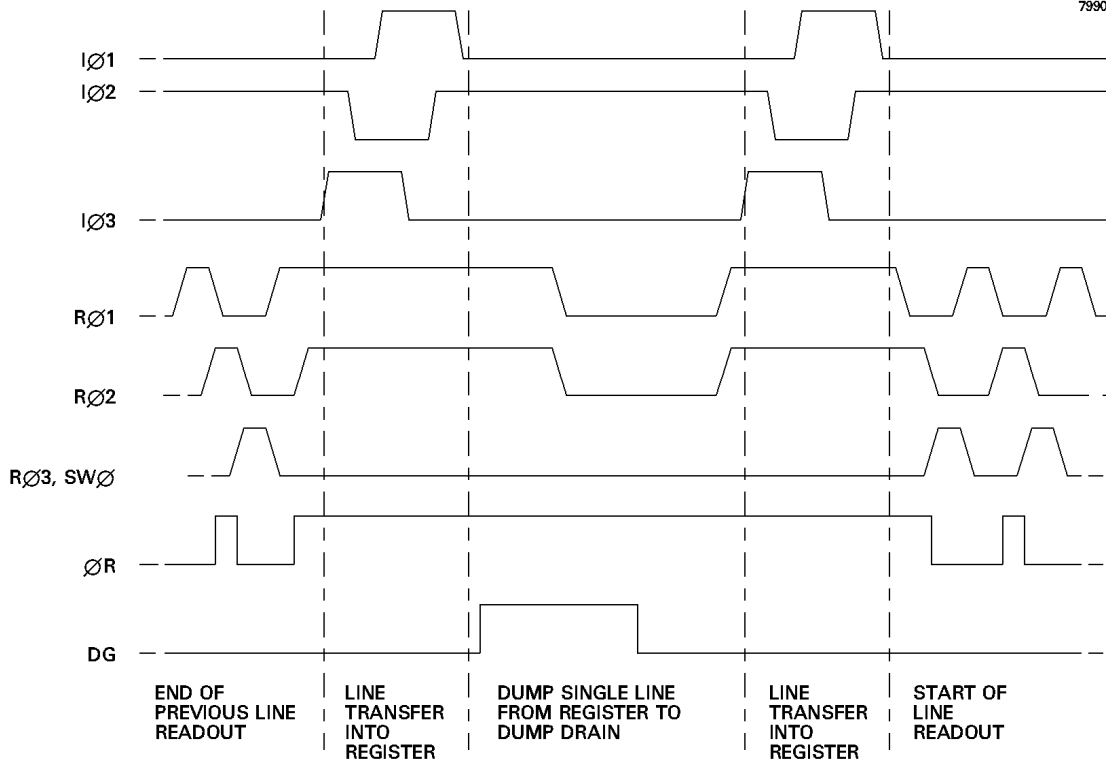


DETAIL OF LINE TRANSFER (Not to scale)



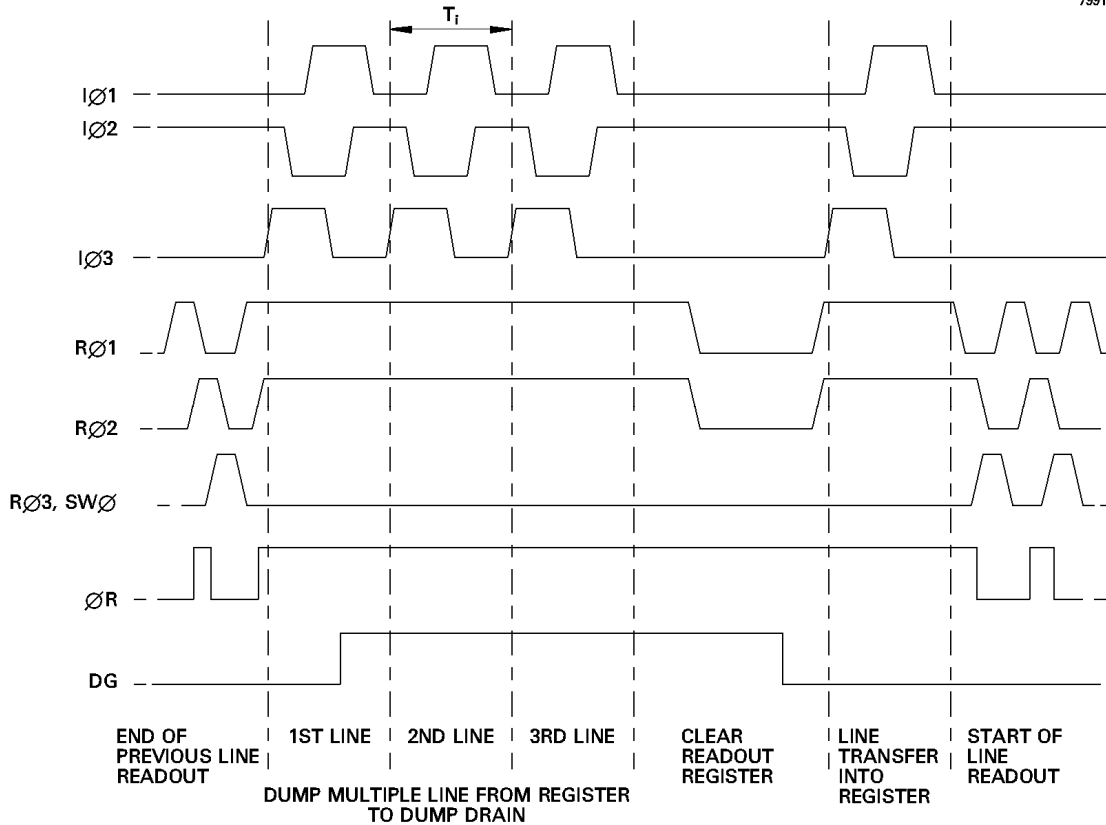
DETAIL OF VERTICAL LINE TRANSFER (Single line dump)

7990

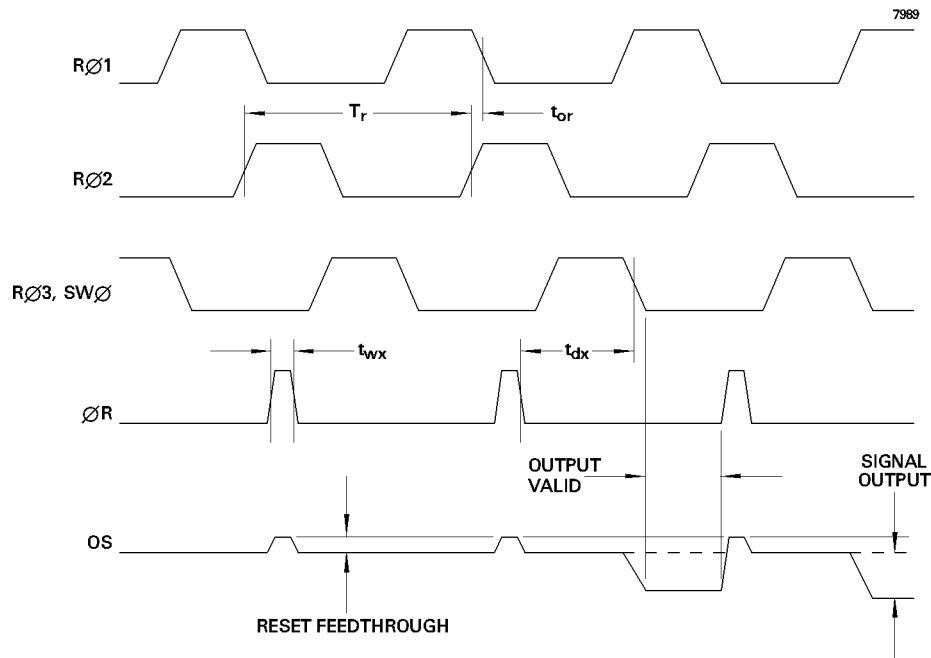


DETAIL OF VERTICAL LINE TRANSFER (Multiple line dump)

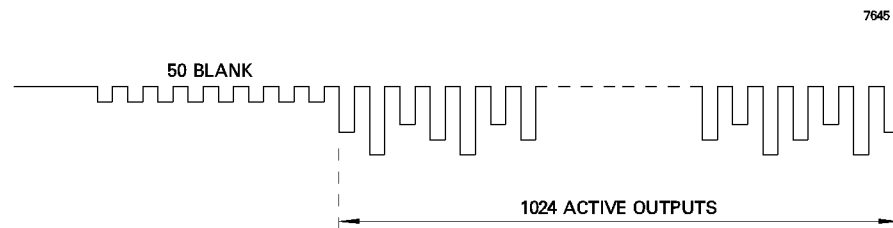
7991



DETAIL OF OUTPUT CLOCKING (Operation through both outputs)



LINE OUTPUT FORMAT (Split read-out operation)



CLOCK TIMING REQUIREMENTS

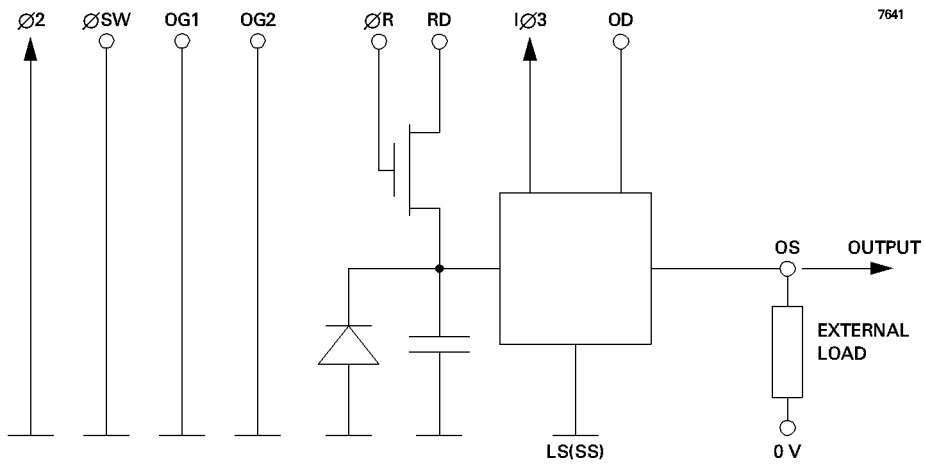
Symbol	Description	Min	Typical	Max	
T_i	Image clock period	10	20	see note 16	μs
t_{wi}	Image clock pulse width	5	10	see note 16	μs
t_{ri}	Image clock pulse rise time (10 to 90%)	1	2	$0.2T_i$	μs
t_{fi}	Image clock pulse fall time (10 to 90%)	t_{ri}	t_{ri}	$0.2T_i$	μs
t_{oi}	Image clock pulse overlap	$(t_{ri} + t_{fi})/2$	2	$0.2T_i$	μs
t_{dir}	Delay time, IØ stop to RØ start	3	5	see note 16	μs
t_{dri}	Delay time, RØ stop to IØ start	1	2	see note 16	μs
T_r	Output register clock cycle period	300	see note 17	see note 16	ns
t_{rr}	Clock pulse rise time (10 to 90%)	50	$0.1T_r$	$0.3T_r$	ns
t_{fr}	Clock pulse fall time (10 to 90%)	t_{rr}	$0.1T_r$	$0.3T_r$	ns
t_{or}	Clock pulse overlap	20	$0.5t_{rr}$	$0.1T_r$	ns
t_{wx}	Reset pulse width	30	$0.1T_r$	$0.3T_r$	ns
t_{rx}, t_{fx}	Reset pulse rise and fall times	20	$0.5t_{rr}$	$0.1T_r$	ns
t_{dx}	Delay time, ØR low to RØ3 low	30	$0.5T_r$	$0.8T_r$	ns

NOTES

16. No maximum other than that necessary to achieve an acceptable dark signal at the longer readout times.

17. As set by the readout period.

OUTPUT CIRCUIT

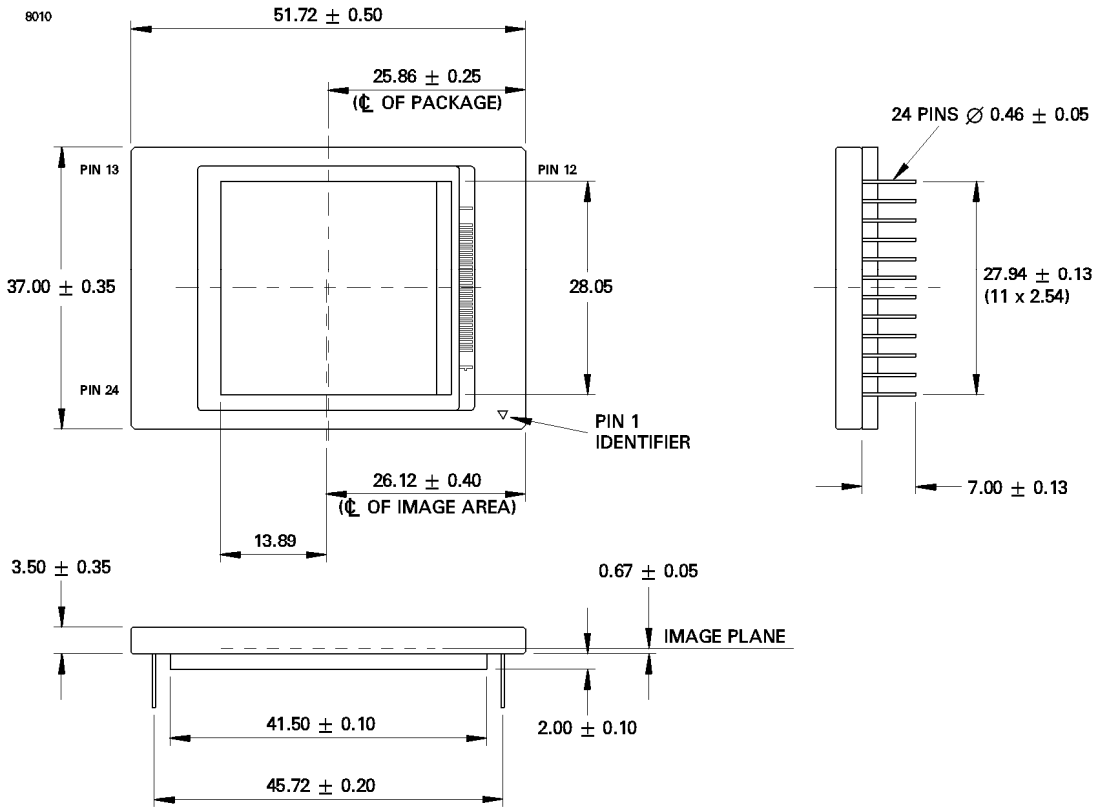


NOTES

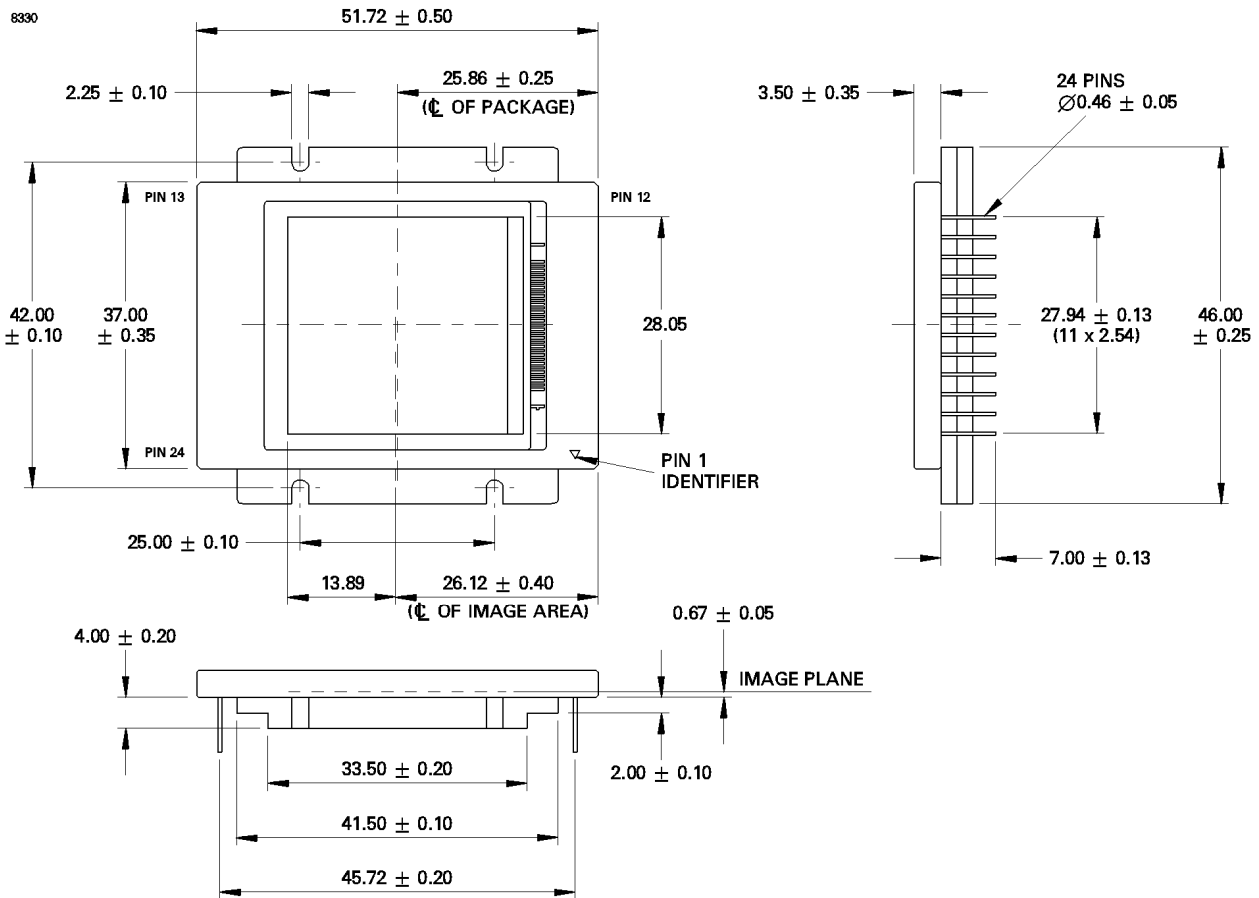
18. The amplifier has a DC restoration circuit which is internally activated whenever IØ3 is high.
19. External load not critical; can be a 3 to 5 mA constant current supply or an appropriate load resistor.

OUTLINES (All dimensions in millimetres; dimensions without limits are nominal)

Standard Ceramic Package



Metal Base Package (available to special order)



ORDERING INFORMATION

Options include:

- Temporary quartz window
- Temporary glass window
- Fibre-optic coupling
- UV coating
- X-ray phosphor coating

For further information on the performance of these and other options, contact e2v.

HANDLING CCD SENSORS

CCD sensors, in common with most high performance MOS IC devices, are static sensitive. In certain cases a discharge of static electricity may destroy or irreversibly degrade the device. Accordingly, full antistatic handling precautions should be taken whenever using a CCD sensor or module. These include:

- Working at a fully grounded workbench
- Operator wearing a grounded wrist strap
- All receiving socket pins to be positively grounded
- Unattended CCDs should not be left out of their conducting foam or socket.

Evidence of incorrect handling will invalidate the warranty. All devices are provided with internal protection circuits to the gate electrodes (pins 2, 7, 11, 14, 15, 16, 17, 18, 19, 20, 21, 22, 23) but not to the other pins.

HIGH ENERGY RADIATION

Device parameters may begin to change if subject to an ionising dose of greater than 10^4 rads.

Certain characterisation data are held at e2v technologies. Users planning to use CCDs in a high radiation environment are advised to contact e2v.

TEMPERATURE LIMITS

	Min	Typical	Max	
Storage.....	153	-	373	K
Operating.....	153	243	323	K

Operation or storage in humid conditions may give rise to ice on the sensor surface on cooling, causing irreversible damage.

Maximum device heating/cooling5 K/min