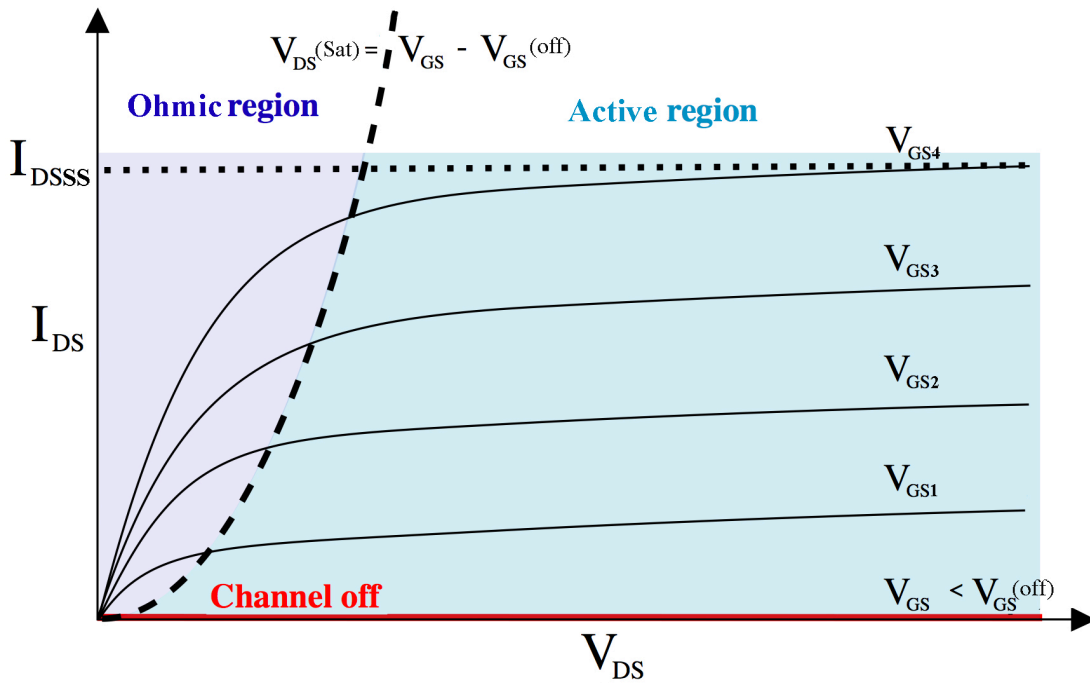
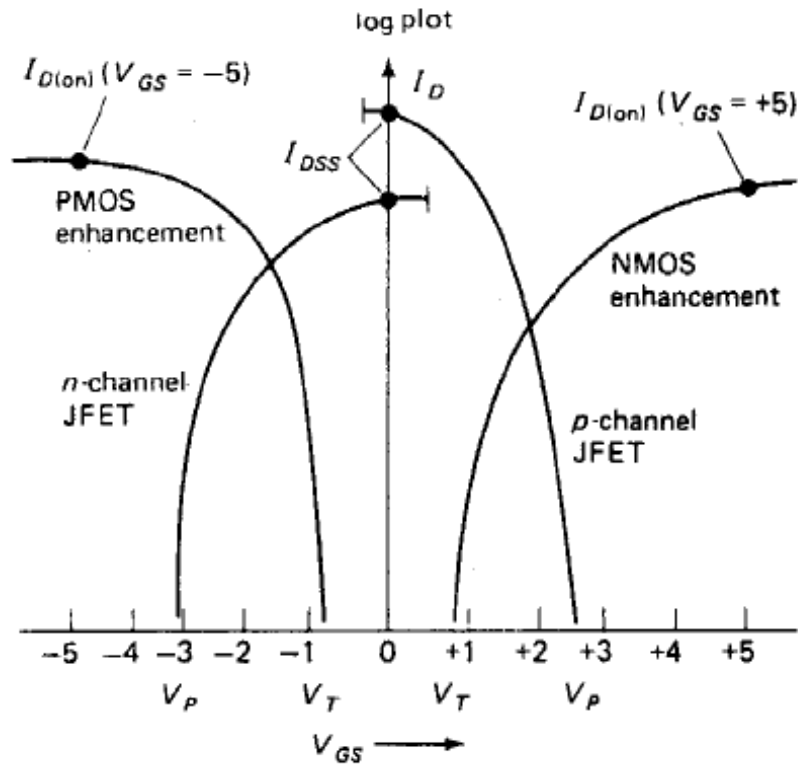
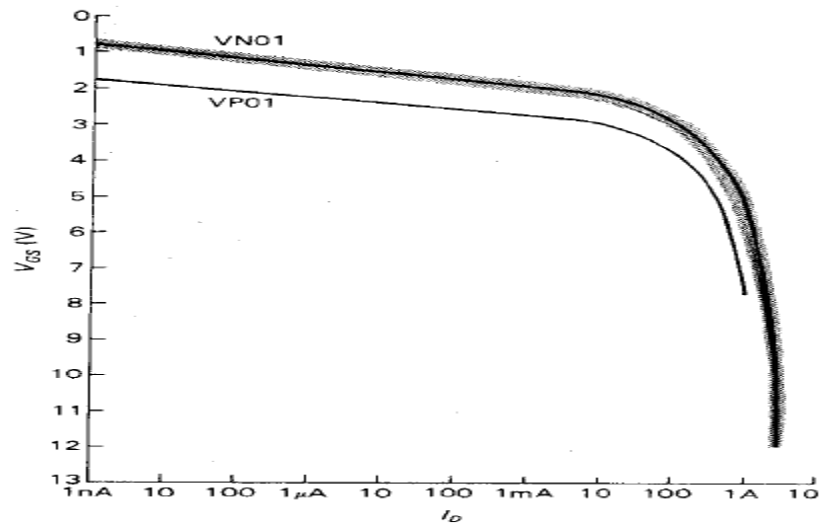
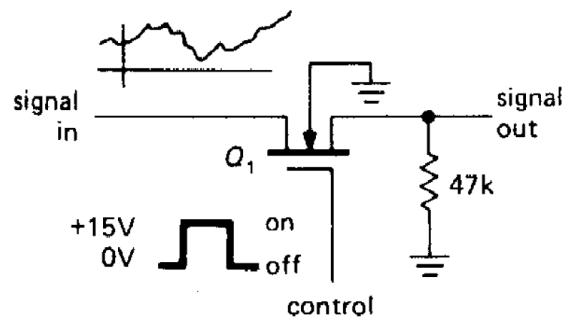
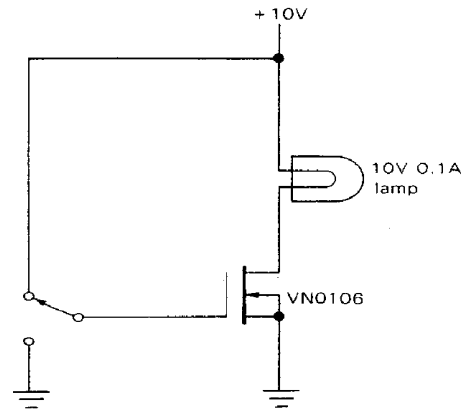


Physics 120 - David Kleinfeld - Spring 2015

N-channel MOSFETs used as switches





ON region $R \sim V_{GS}(\text{off}) / 1 \text{ A} \sim 1 \Omega$

OFF region $R > V_{GS}(\text{off}) / 10 \text{ nA} = 100 \text{ M}\Omega$

Complementary p-channel and n-channel MOSFET (CMOS) switches

