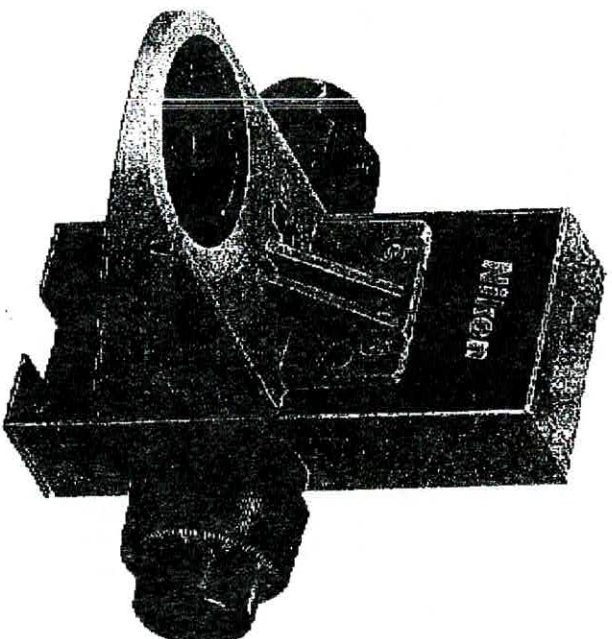


# Modular Focusing Unit # 81705

- In combination with the Universal Epi-Illuminator 10, the Modular Focusing Unit can be used with brightfield, darkfield, differential interference contrast and Epi-fluorescence observation.
- With the fusion of CF optics and infinity correction, the CF infinity Corrected Optical System greatly reduces flare.
- The internal balancing mechanism ensures smoother vertical motion, even when the arm is heavily loaded.
- Maximum load is 4kg (standard). Can be increased to 8kg.
- Coarse motion stroke of 5.2mm (0.20 in.) per revolution (15mm or 0.59 in./rev. with the conventional unit) provides enhanced durability.
- The distance from the optical axis to the mounting surface is 141 mm (5.55 in.).

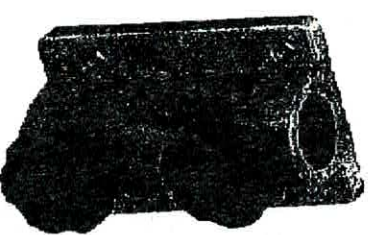
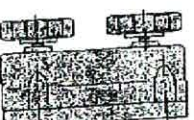
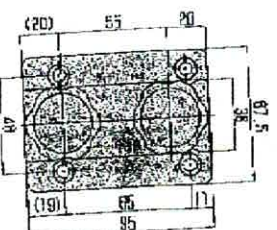
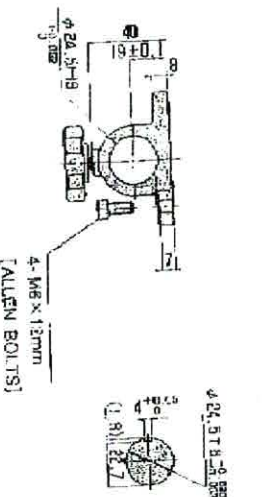


Modular Focusing Unit:

Stroke	30mm
Coarse focusing	5.2mm/revolution
Fine focusing	0.1mm/revolution
Scale	1µm

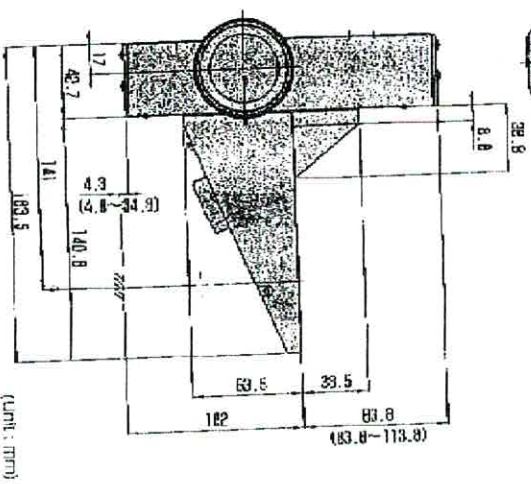
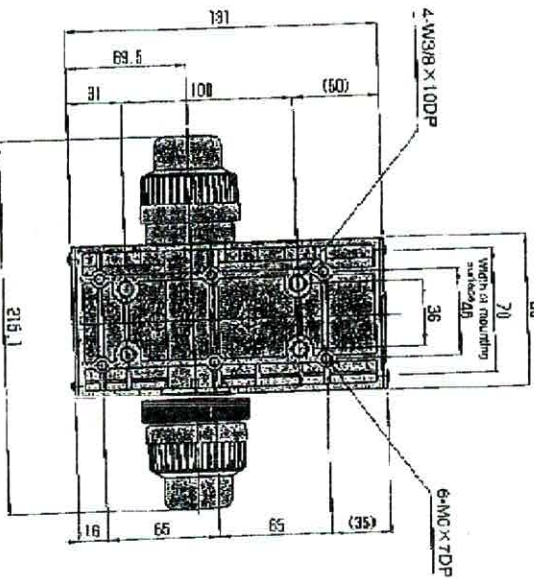
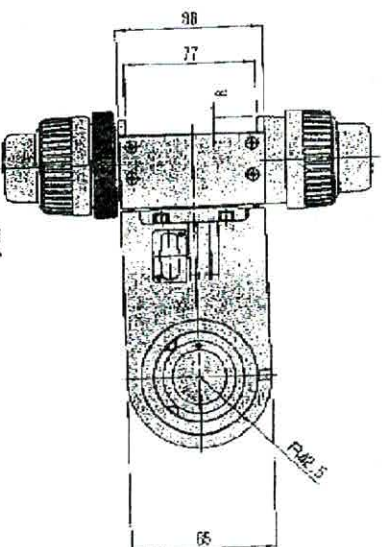
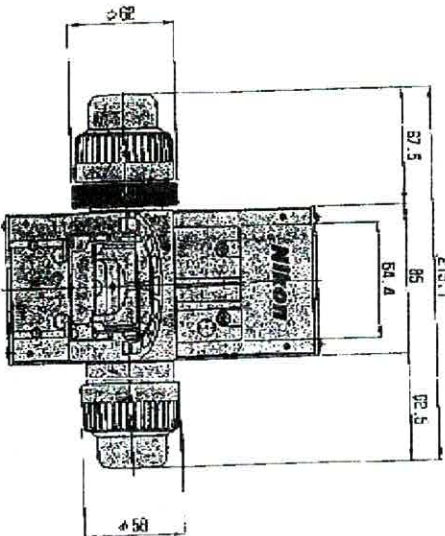
## Post Adapter (option)

For mounting the Modular Focusing Unit to a post with a 24.5mm (0.96 in.) diameter.

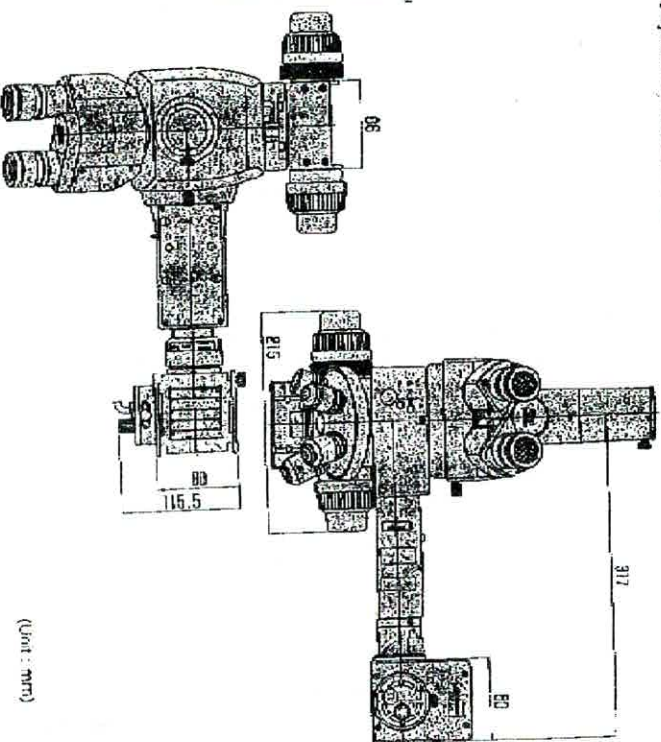
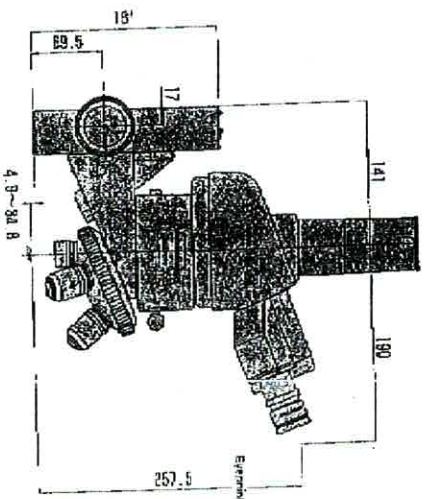


(Unit: mm)

Dimensions of Modular Focusing Unit  
 215.1



Dimensions of sample system (Modular Focusing Unit with Trinocular Eyepiece Tube T1, Universal Epi-Illuminator 10, 12V/50W Halogen Lamphouse, EPI Quintuple Nosepiece and Objective Lenses of CF Plan EPI.)



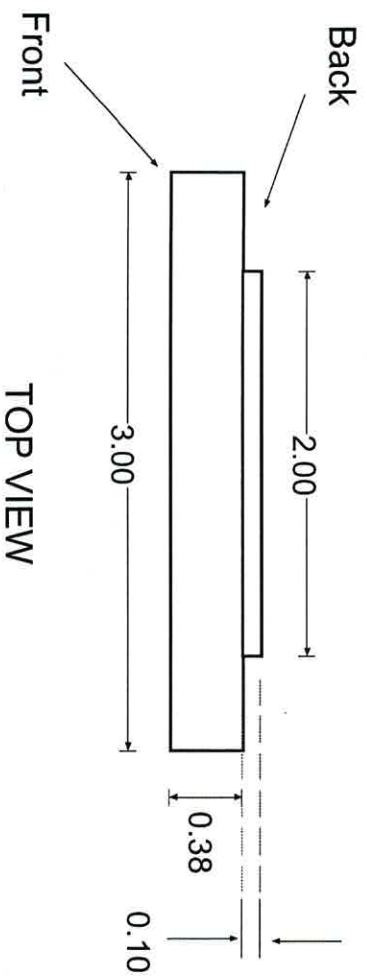
(Unit: mm)

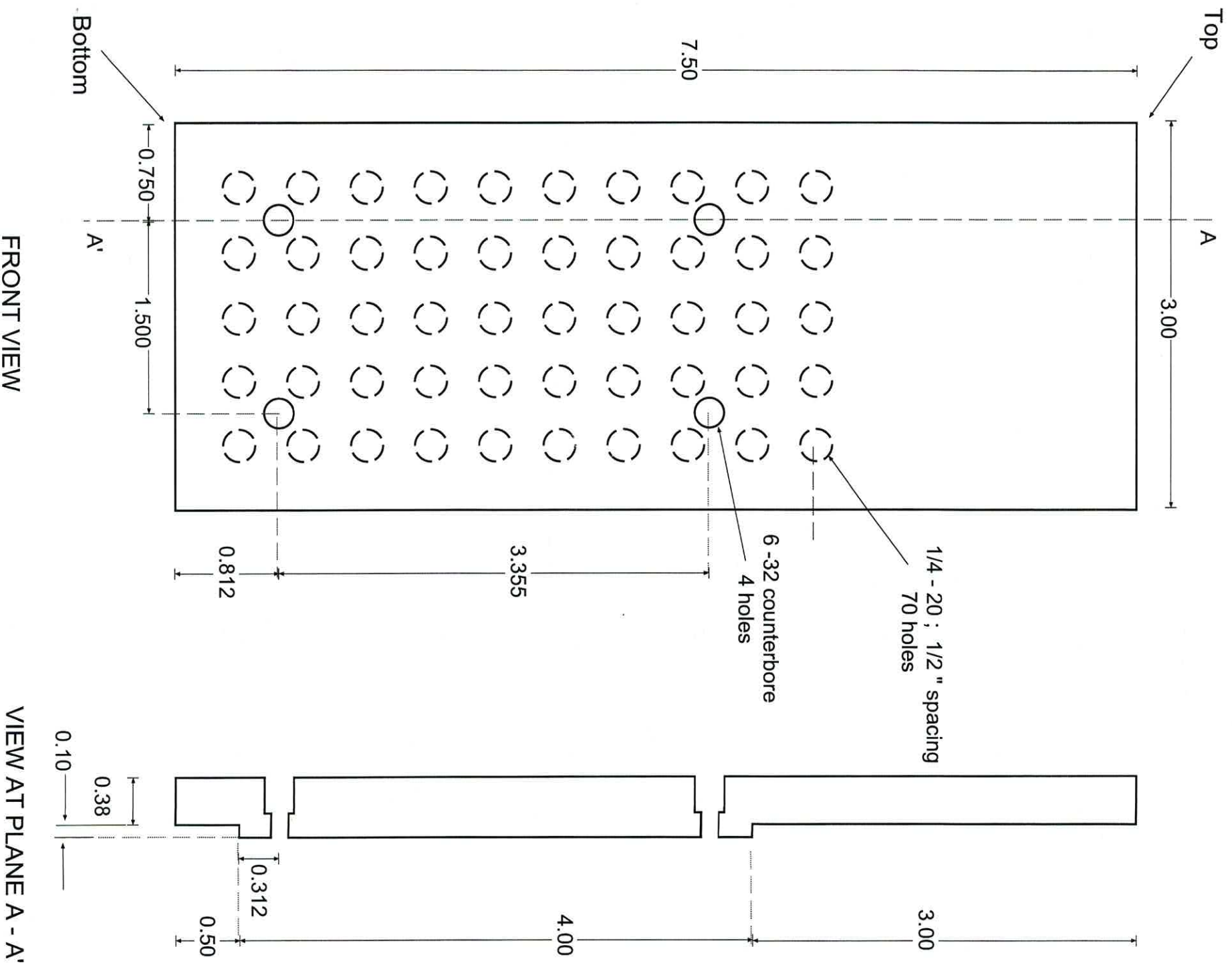
**Adapter Plate - Nikon Zstage to 1/4-20 board**

**Material: Aluminum**

**Tolerances: .xxx ± 0.002**

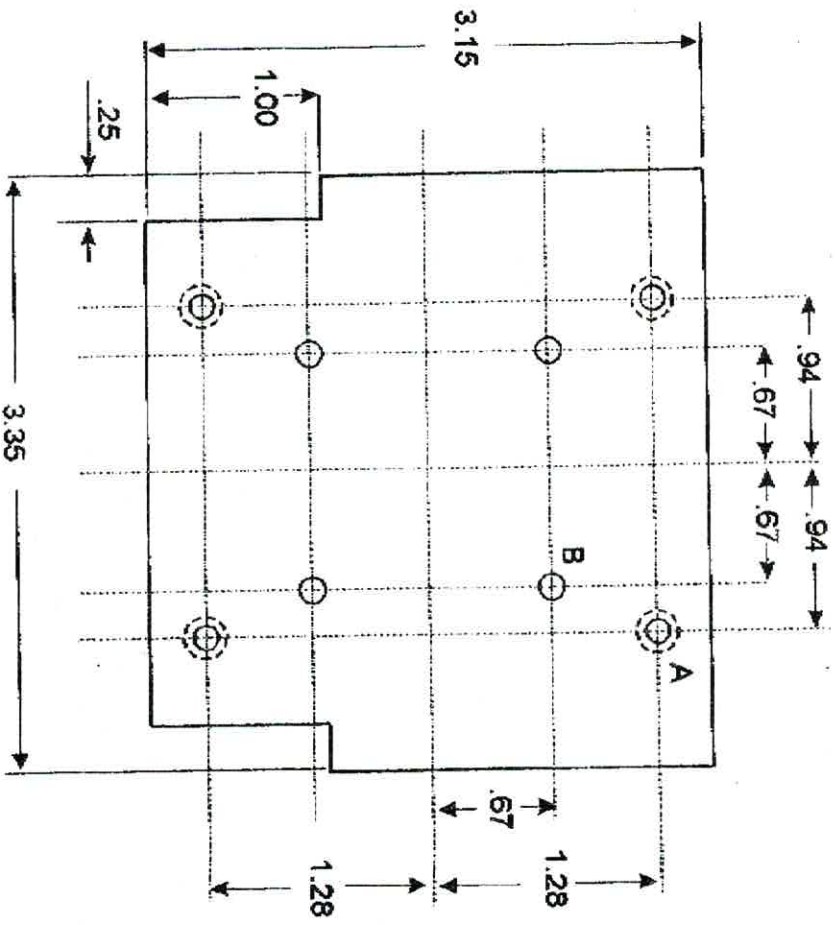
**.xx ± 0.01**







*3/8, 6/8*



- karel svoboda, x6878 6/8/1998
- 2 pieces
- mounting plate for nikon drive; scale 1:1
- 3/8" anodized aluminum
- A: 4x M6clearance throughholes with socket counterbore
- B: 4x 10/32 threaded throughholes