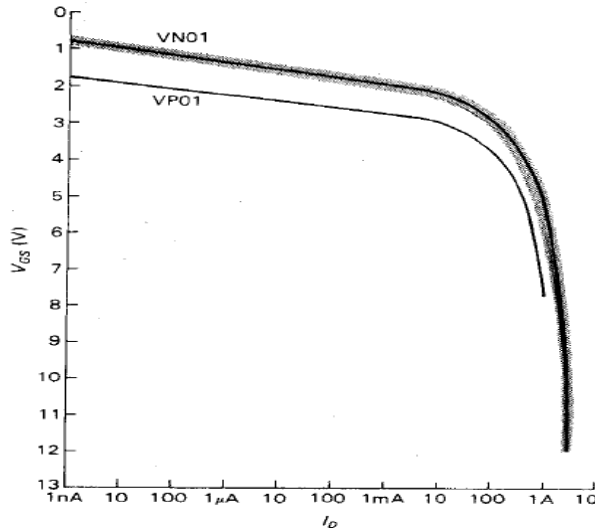
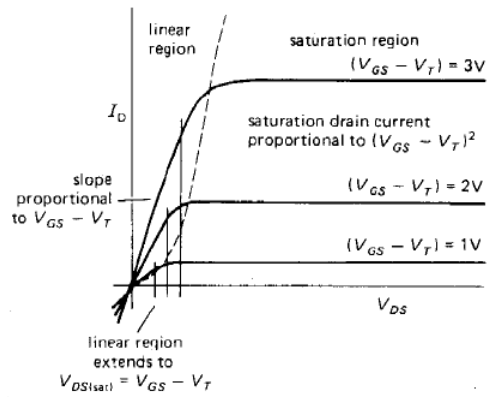
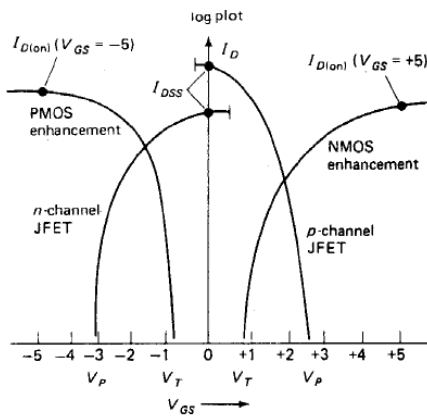
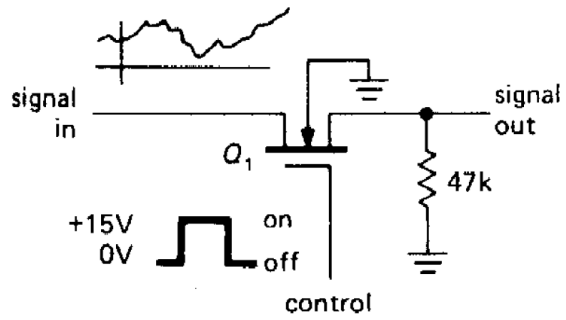
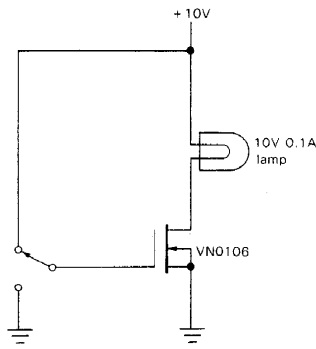


# FETs as switches



ON region  $R \sim V_{GS}(\text{off}) / 1 \text{ A} \sim 1 \Omega$

OFF region  $R > V_{GS}(\text{off}) / 10 \text{ nA} = 100 \text{ M}\Omega$

# Complementary p-channel and n-channel MOSFET (CMOS) switches

